

SHERLE WAGNER INTERNATIONAL

DORIAN DOOR LEVER WITH 2" ROSE 2070DOR-200-ZZ-XX
DORIAN DOOR LEVER WITH 2-5/8" ROSE 2070DOR-260-ZZ-XX

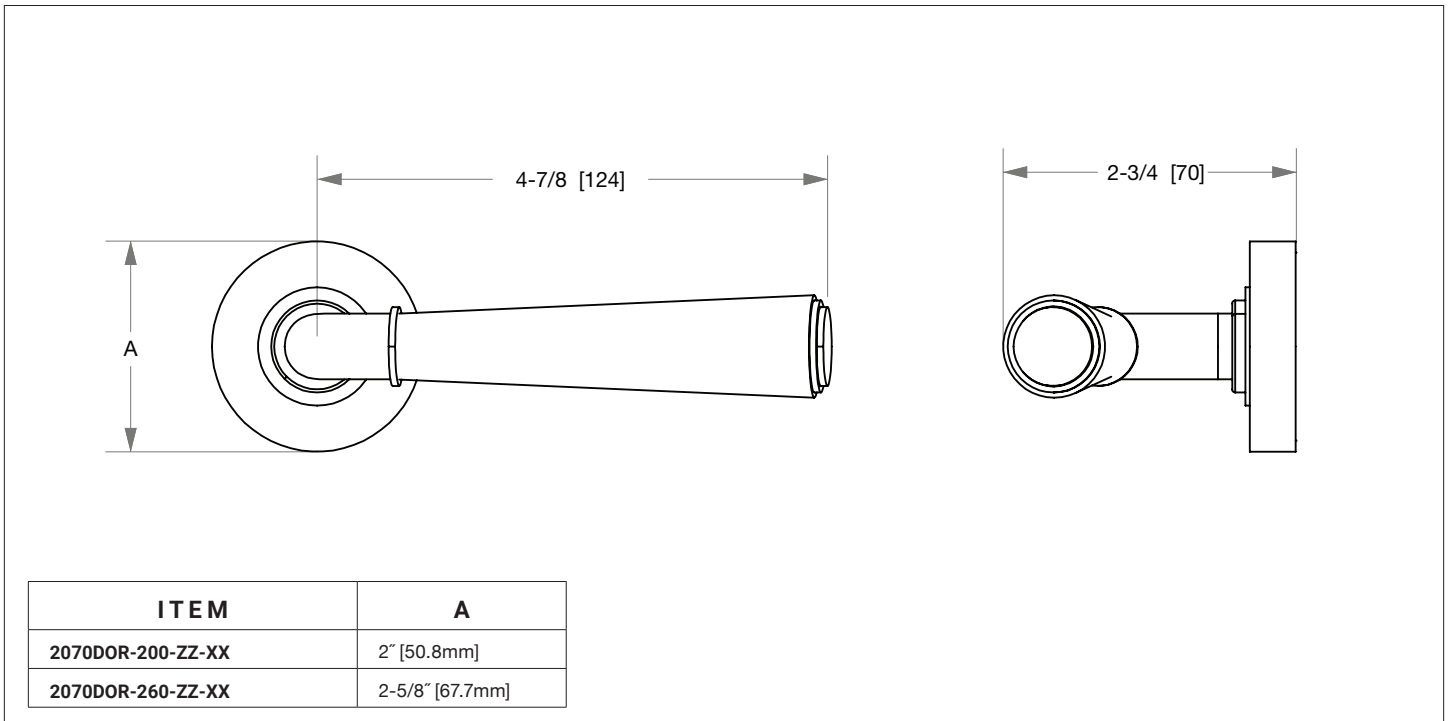


PRODUCT FEATURES

- o Available in all Sherle Wagner International finishes
- o Solid brass/bronze construction
- o Mounting hardware included
- o Inquire for custom spindles applications
- o Requires 7.3 mm spindle
- o Available in left hand LH or right hand RH

AVAILABLE METAL FINISHES

| | | | |
|--------------------|---------------------|-------------------|---------------------------|
| PN Polished Nickel | OB Oil Rubbed Brass | ES English Silver | AG Antique Gold |
| CP Polished Chrome | PB Polished Brass | BS Butler Silver | SP Satin Platinum |
| BN Brushed Nickel | GP Gold Plate | AP Antique Pewter | HP High Polished Platinum |
| BC Brushed Chrome | AL Almond Gold | PE Black Pearl | BP Burnished Platinum |
| SB Satin Brass | RG Rose Gold | BG Burnished Gold | |



The measurements shown are for reference only. Products and specifications shown are subject to change without notice.

Rev E