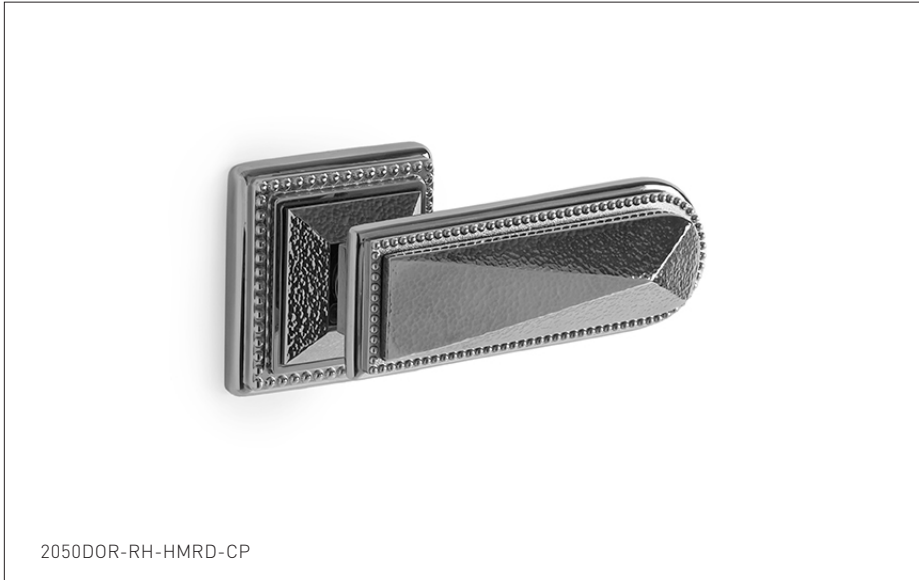


# SHERLE WAGNER INTERNATIONAL

**HAMMERED PYRAMID DOOR LEVER** 2050DOR-ZZ-HMRD-XX

**HAMMERED PYRAMID DOOR LEVER IN CONTRASTING FINISH** 2050DOR-ZZ-HMRD-XX-XX



2050DOR-RH-HMRD-CP

## PRODUCT FEATURES

- o Available in all Sherle Wagner International finishes
- o Solid brass/bronze construction
- o Requires 7.3mm spindle
- o Inquire for custom spindle applications
- o Includes mounting hardware
- o Available in left hand LH or right hand RH

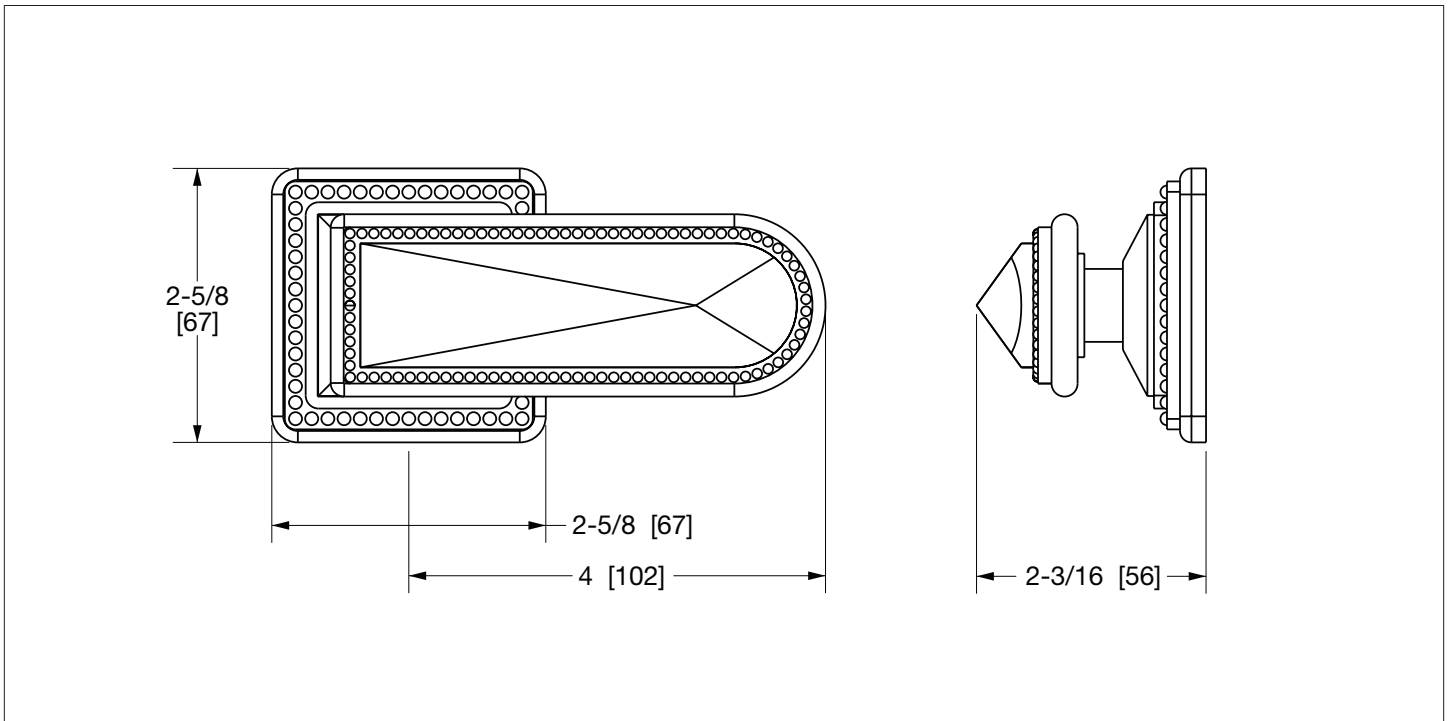
## AVAILABLE METAL FINISHES

PN Polished Nickel  
 CP Polished Chrome  
 BN Brushed Nickel  
 BC Brushed Chrome  
 SB Satin Brass  
 OB Oil Rubbed Brass

PB Polished Brass  
 FP Flemish Patina  
 EP English Patina  
 VA Verdi Antique  
 GP Gold Plate  
 AL Almond Gold

ES English Silver  
 BS Butler Silver  
 RG Rose Gold  
 AP Antique Pewter  
 PE Black Pearl  
 BG Burnished Gold

AG Antique Gold  
 SP Satin Platinum  
 HP High Polished Platinum  
 BP Burnished Platinum



The measurements shown are for reference only. Products and specifications shown are subject to change without notice.

Rev C