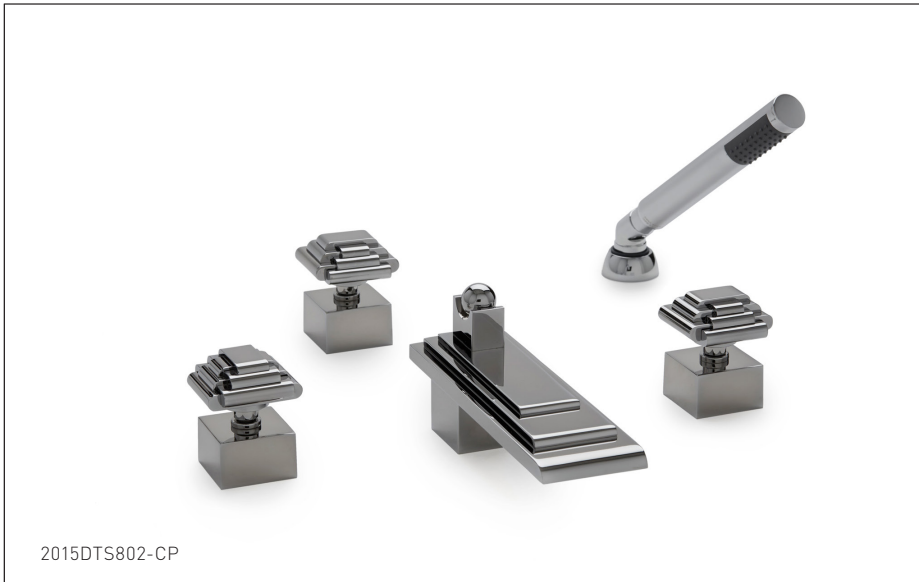


# SHERLE WAGNER INTERNATIONAL

**NOUVEAU KNOB DECK MOUNT TUB SHOWER SET** 2015DTS802-XX

**NOUVEAU KNOB DECK MOUNT TUB SHOWER SET IN COMBINATION FINISH** 2015DTS802-XX-XX



2015DTS802-CP

## PRODUCT FEATURES

- o Available in all Sherle Wagner International finishes
- o Solid brass/bronze construction
- o Full flow
- o Includes (2) 1/2" washerless 1/4 turn ceramic valves
- o Includes (3) 72" braided hose 1/2" FNPT to 3/4" FNPT for diverter
- o Includes deckmount handshower
- o 1.8 gpm (6.8 L/min) handshower flowrate
- o Includes (1) 72" spiral handshower hose with vacuum break
- o Leader hose not included
  
- o Optional: (2) 3/4" valves for increased flow, contact sales associate for details

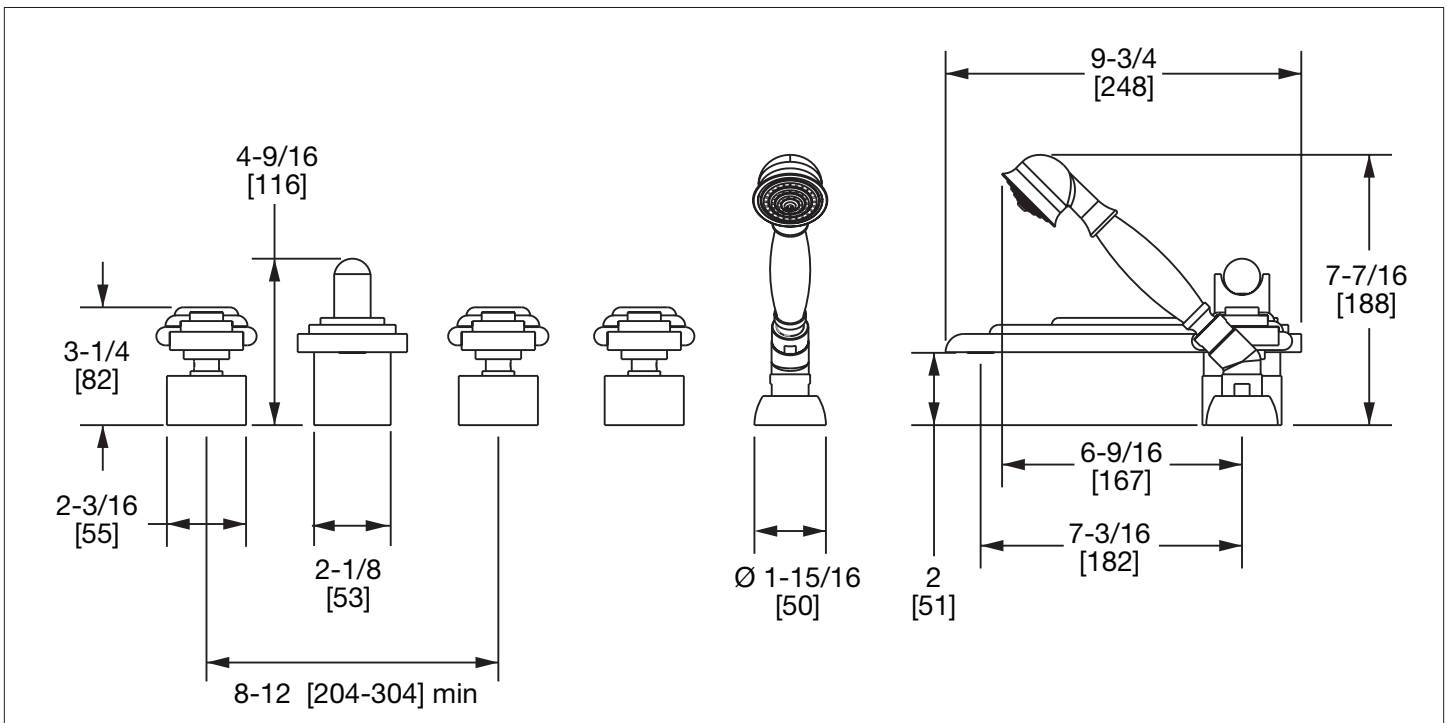
## AVAILABLE METAL FINISHES

PN Polished Nickel  
 CP Polished Chrome  
 BN Brushed Nickel  
 BC Brushed Chrome  
 SB Satin Brass

OB Oil Rubbed Brass  
 PB Polished Brass  
 GP Gold Plate  
 AL Almond Gold  
 RG Rose Gold

ES English Silver  
 BS Butler Silver  
 AP Antique Pewter  
 PE Black Pearl  
 BG Burnished Gold

AG Antique Gold  
 SP Satin Platinum  
 HP High Polished Platinum  
 BP Burnished Platinum



The measurements shown are for reference only. Products and specifications shown are subject to change without notice.

Rev A