

SHERLE WAGNER INTERNATIONAL

ARCO WITH SATURN KNOB DECK MOUNT TUB SHOWER SET 2006DTS308-XX



2006DTS308-CP

PRODUCT FEATURES

- o Available in all Sherle Wagner International finishes
- o Solid brass/bronze construction
- o Full flow
- o Includes (2) 1/2" washerless 1/4 turn ceramic valves
- o Includes (3) 72" braided hose 1/2" FNPT to 3/4" FNPT for diverter
- o Includes deckmount handshower
- o 1.8 gpm (6.8 L/min) handshower flowrate
- o Includes (1) 72" spiral handshower hose with vacuum break
- o Leader hose not included

- o Optional: (2) 3/4" valves for increased flow, contact sales associate for details

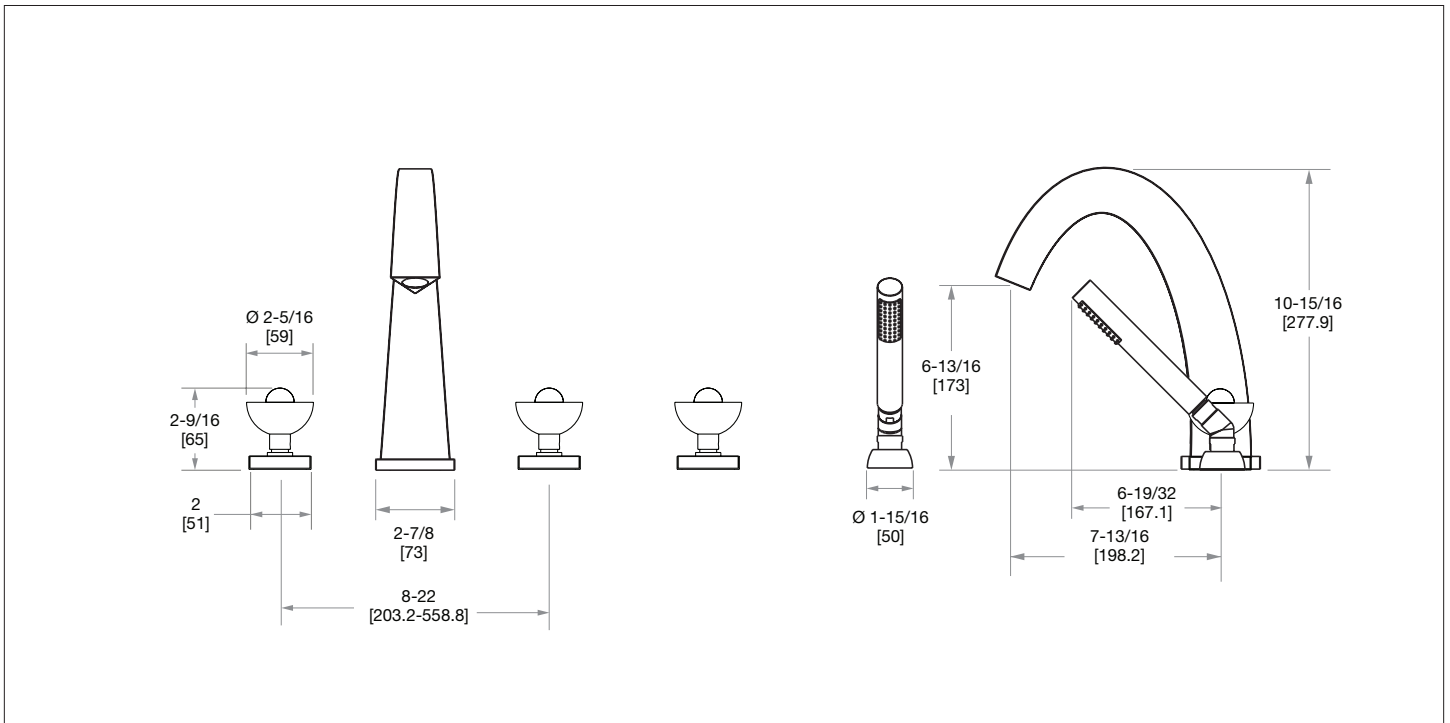
AVAILABLE METAL FINISHES

PN Polished Nickel
 CP Polished Chrome
 BN Brushed Nickel
 BC Brushed Chrome
 SB Satin Brass

OB Oil Rubbed Brass
 PB Polished Brass
 GP Gold Plate
 AL Almond Gold
 RG Rose Gold

ES English Silver
 BS Butler Silver
 AP Antique Pewter
 PE Black Pearl
 BG Burnished Gold

AG Antique Gold
 SP Satin Platinum
 HP High Polished Platinum
 BP Burnished Platinum



The measurements shown are for reference only. Products and specifications shown are subject to change without notice.

Rev A