

SHERLE WAGNER INTERNATIONAL

ROUND BANDED CERAMIC VESSEL SINK 16RD-VSL-XXXX-XX



PRODUCT FEATURES

- o Vitreous china
- o Integral overflow drain
- o 1-3/4" trap diameter
- o 4" water depth
- o Counter basin
- o Mounting hardware included
- o Available on White WH, Sand SD, and Black BK glazes, for custom glaze options, contact SWI representative

AVAILABLE CERAMIC GLAZE COLOR

WHT White Glaze

SND Sand Glaze

BLK Black Glaze

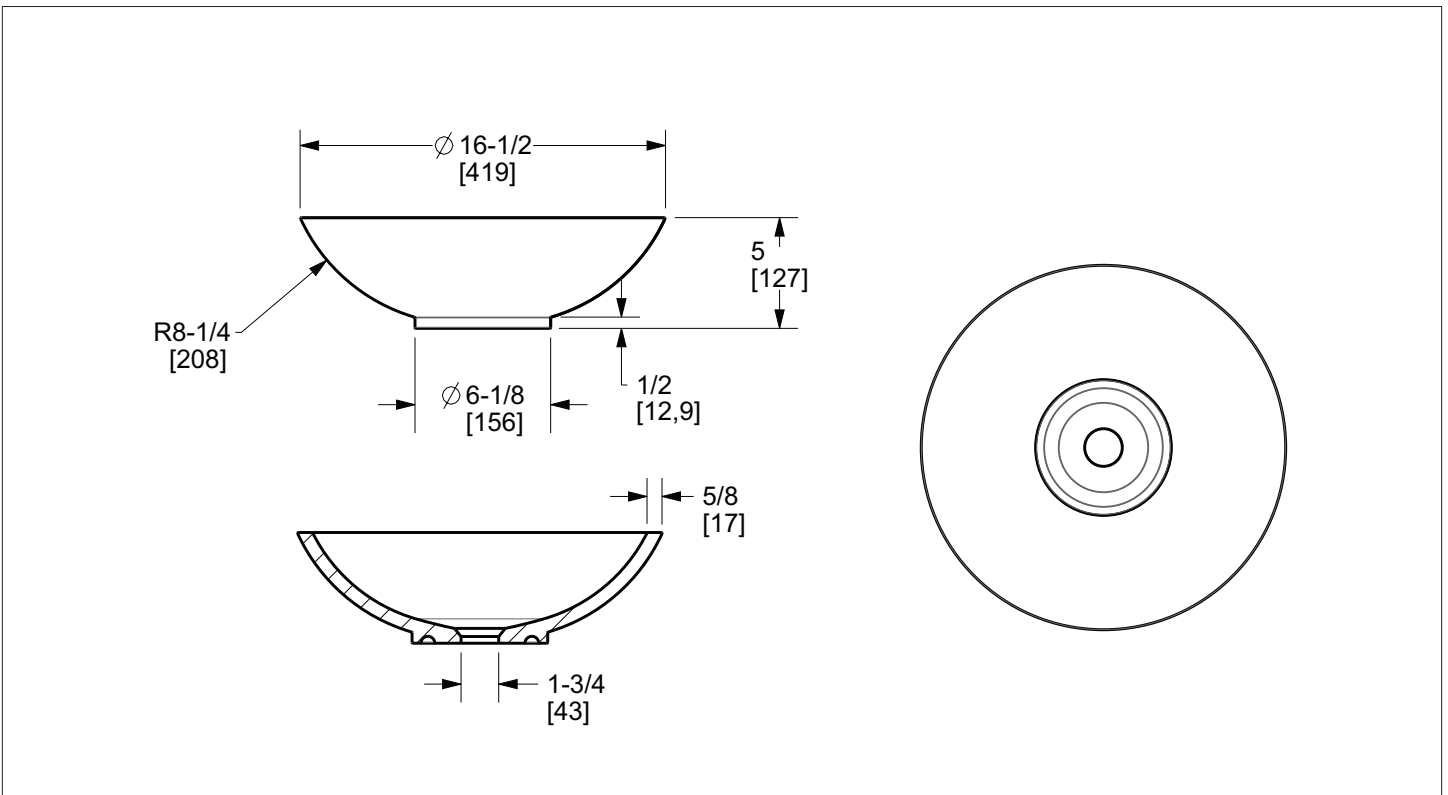
CUST Custom Glaze

AVAILABLE DECORATIVE BANDS

8EN-G Classic Lines- Burnished Gold

8EN-P Classic Lines- Burnished Platinum

8EN-HP Classic Lines- Polished Platinum



The measurements shown are for reference only. Products and specifications shown are subject to change without notice.

Rev A