

SHERLE WAGNER INTERNATIONAL

RIPPLE ROUND CERAMIC VESSEL 16RD-VSL-RPLE-XXXX

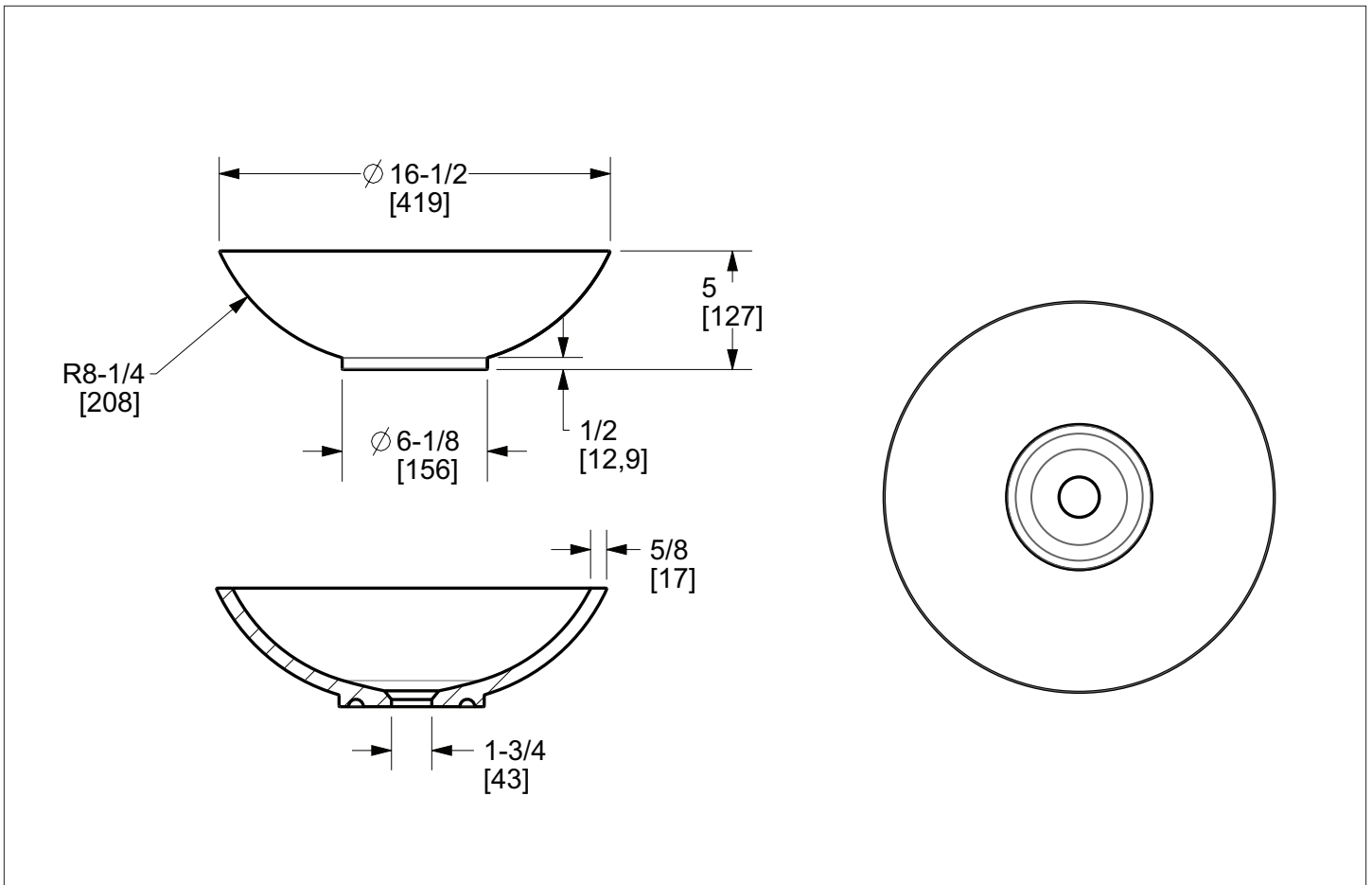


PRODUCT FEATURES

- o Vitreous Ceramic
- o 1-3/4" trap diameter
- o Counter basin
- o 4" water depth
- o Contact sales associate for custom glaze options

AVAILABLE CERAMIC GLAZE COLOR

WHT White Glaze	SND Sand Glaze	BLK Black Glaze	MBLK Matt Black
15PL Burnished Platinum	14GP Burnished Gold	17HP Highly polished Platinum	CUST Custom Glaze



The measurements shown are for reference only. Products and specifications shown are subject to change without notice.

Rev A