

# SHERLE WAGNER INTERNATIONAL

## FORGET-ME-NOT DOOR KNOB 1072DOR-21/2-XX



### PRODUCT FEATURES

- o Available in all Sherle Wagner International finishes
- o Solid brass/bronze construction
- o Includes mounting hardware
- o Inquire for custom spindles applications
- o Requires 7.3 mm spindle

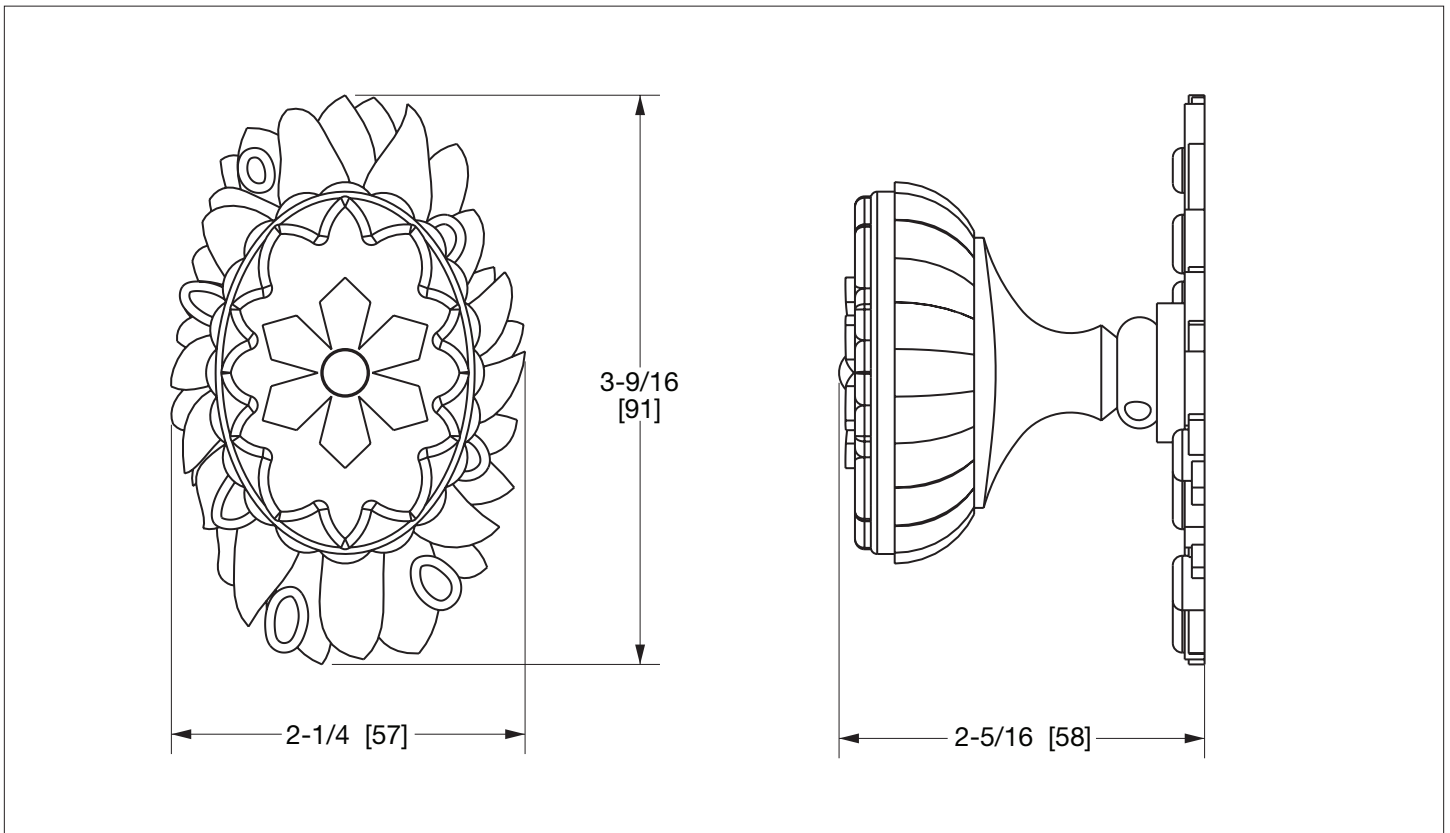
### AVAILABLE METAL FINISHES

PN Polished Nickel  
CP Polished Chrome  
BN Brushed Nickel  
BC Brushed Chrome  
SB Satin Brass  
OB Oil Rubbed Brass

PB Polished Brass  
FP Flemish Patina  
EP English Patina  
VA Verdi Antique  
GP Gold Plate  
AL Almond Gold

ES English Silver  
BS Butler Silver  
RG Rose Gold  
AP Antique Pewter  
PE Black Pearl  
BG Burnished Gold

AG Antique Gold  
SP Satin Platinum  
HP High Polished Platinum  
BP Burnished Platinum



The measurements shown are for reference only. Products and specifications shown are subject to change without notice.

Rev A