

# SHERLE WAGNER INTERNATIONAL

## ONYX KNURLED KNOB FOUR HOLE BIDET SET 1065BDT-4H-XXXX-XX



### PRODUCT FEATURES

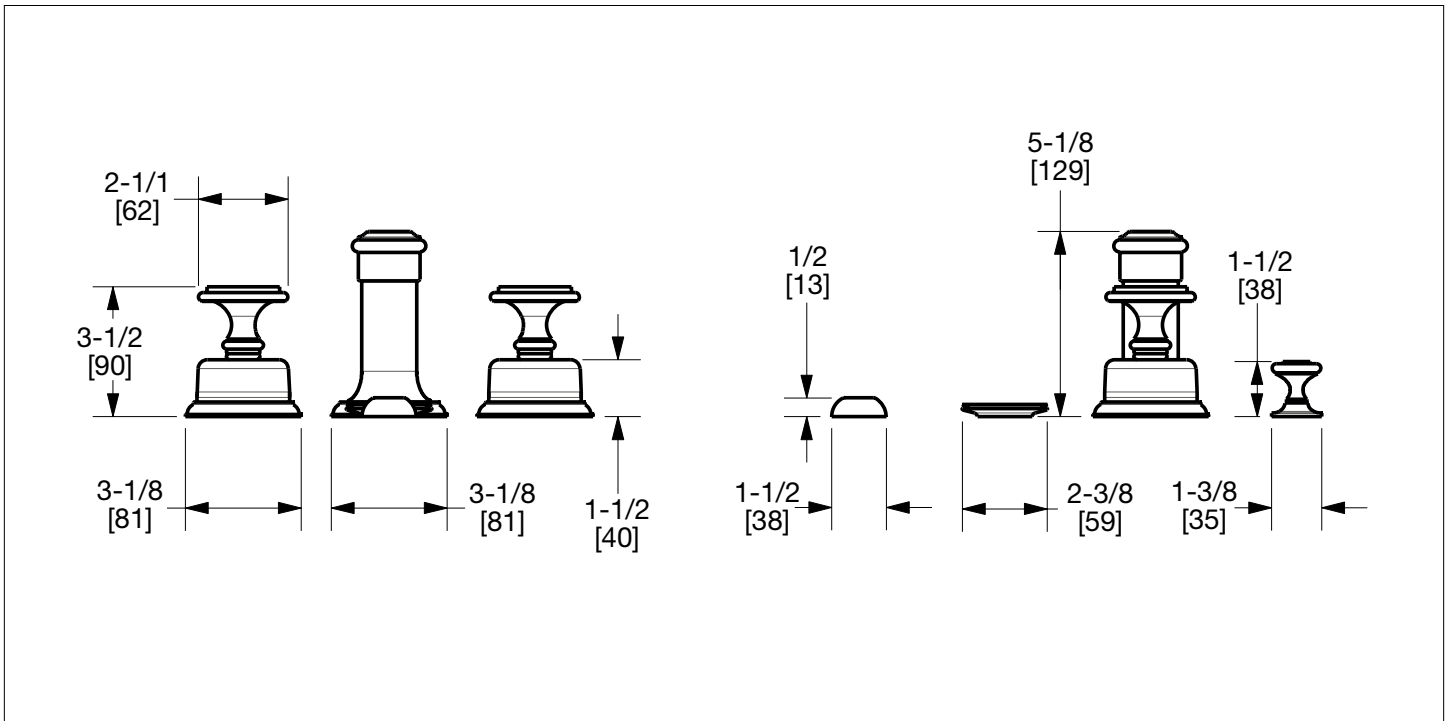
- o Available in all Sherle Wagner International finishes
- o Solid brass/bronze construction
- o 1.5 gpm (5.7 L/min) flow rate
- o Includes (2) 1/2" washerless 1/4 turn ceramic valves
- o Includes (2) flexible hoses 1/2" FIP x 1/2" FIP x 12" length
- o Includes gaskets and tee fitting
- o Includes lift rod and self sealing pop-up assembly
- o Includes vertical spray
- o Includes vacuum breaker/diverter unit
- o Recommended 12" spread. Can be installed 8"-12"
- o Refer to stone chart for standard stone insert, contact sales associate for custom stone options

### AVAILABLE METAL FINISHES

<b>PN</b> Polished Nickel	<b>PB</b> Polished Brass	<b>ES</b> English Silver	<b>AG</b> Antique Gold
<b>CP</b> Polished Chrome	<b>FP</b> Flemish Patina	<b>BS</b> Butler Silver	<b>SP</b> Satin Platinum
<b>BN</b> Brushed Nickel	<b>EP</b> English Patina	<b>RG</b> Rose Gold	<b>HP</b> High Polished Platinum
<b>BC</b> Brushed Chrome	<b>VA</b> Verdi Antique	<b>AP</b> Antique Pewter	<b>BP</b> Burnished Platinum
<b>SB</b> Satin Brass	<b>GP</b> Gold Plate	<b>PE</b> Black Pearl	
<b>OB</b> Oil Rubbed Brass	<b>AL</b> Almond Gold	<b>BG</b> Burnished Gold	

### AVAILABLE ONYX INSERTS

<b>BROX</b> Brown Onyx	<b>CROX</b> Cream Onyx	<b>WBOX</b> White Onyx	<b>HNOX</b> Honey Onyx
<b>PKOX</b> Pink Onyx	<b>BKOX</b> Black Onyx	<b>GROX</b> Green Onyx	



The measurements shown are for reference only. Products and specifications shown are subject to change without notice.

Rev A