

SHERLE WAGNER INTERNATIONAL

SEMI-PRECIOUS LAUREL LEVER FAUCET SET 1030BSN821-XXXX-XX



1030BSN821-MALA-GP

PRODUCT FEATURES

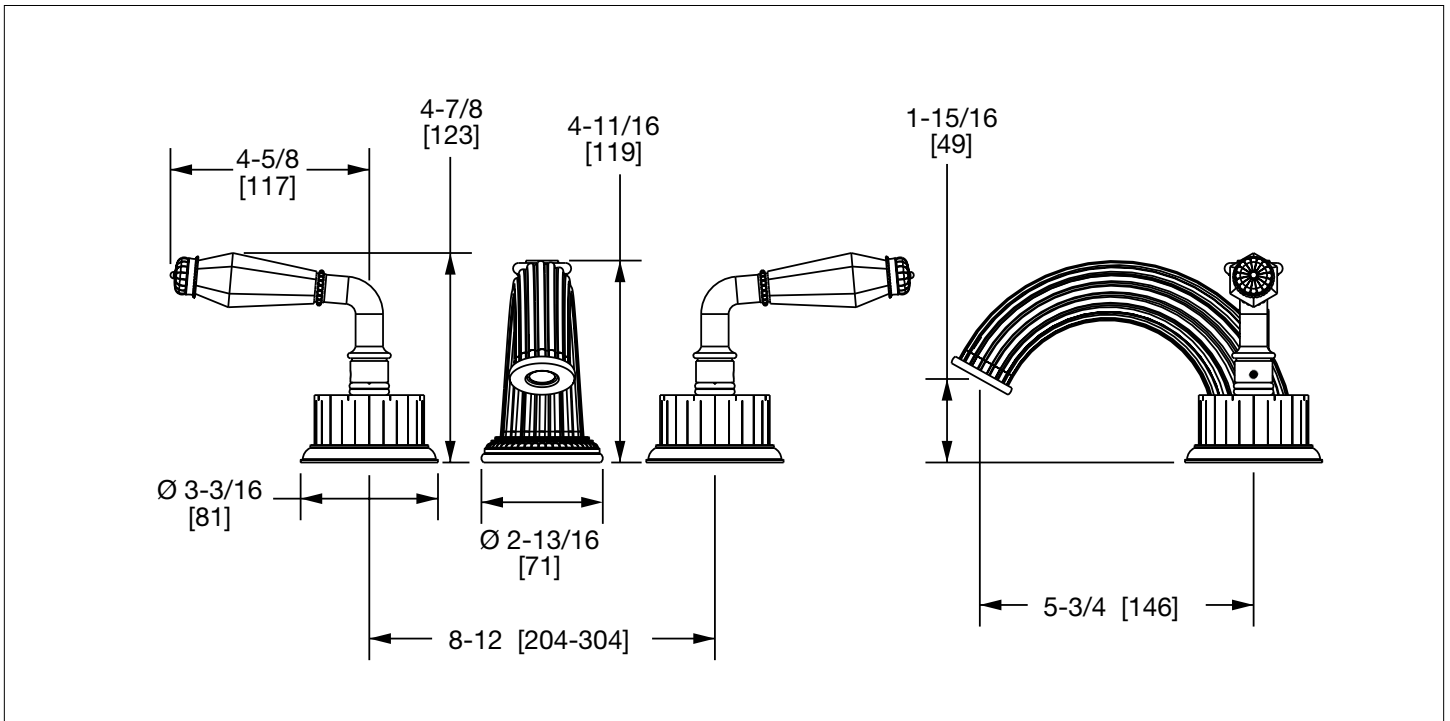
- o Available in all Sherle Wagner International finishes
- o Solid brass/bronze construction
- o 1.0 gpm (3.8 L/min) flow rate
- o Includes (2) 1/2" washerless 1/4 turn ceramic valves
- o Includes (2) flexible hoses 1/2" FIP x 1/2" FIP x 12" length
- o Includes gaskets and tee fitting
- o Includes lift rod and self sealing pop-up assembly
- o Recommended 12" spread. Can be installed 8"-16"
- o Refer to stone chart for standard stone insert, contact sales associate for custom stone options

AVAILABLE METAL FINISHES

| | | | |
|---------------------|-------------------|-------------------|---------------------------|
| PN Polished Nickel | PB Polished Brass | ES English Silver | AG Antique Gold |
| CP Polished Chrome | FP Flemish Patina | BS Butler Silver | SP Satin Platinum |
| BN Brushed Nickel | EP English Patina | RG Rose Gold | HP High Polished Platinum |
| BC Brushed Chrome | VA Verdi Antique | AP Antique Pewter | BP Burnished Platinum |
| SB Satin Brass | GP Gold Plate | PE Black Pearl | |
| OB Oil Rubbed Brass | AL Almond Gold | BG Burnished Gold | |

AVAILABLE SEMI-PRECIOUS INSERTS

| | | | |
|----------------------|-------------------|-------------|--------------------|
| BRTI Brown Tiger Eye | MALA Malachite | JASP Jasper | RHOD Rhodochrosite |
| BLTI Blue Tiger Eye | LAPI Lapis Lazuli | | |



The measurements shown are for reference only. Products and specifications shown are subject to change without notice.

Rev B