

SHERLE WAGNER INTERNATIONAL

SOLID GLAZED PROVENCE CERAMIC FLUTED LEVER FAUCET SET 1029BSN821-04XX-XX
HAND PAINTED PROVENCE CERAMIC FLUTED LEVER FAUCET SET 1029BSN821-XXXX-XX-XX



1029BSN821-04WH-GP

PRODUCT FEATURES

- o Available in all Sherle Wagner International finishes
- o Solid brass/bronze construction
- o 1.0 gpm (3.8 L/min) flow rate
- o Includes (2) 1/2" washerless 1/4 turn ceramic valves
- o Includes (2) flexible hoses 1/2" FIP x 1/2" FIP x 12" length
- o Includes gaskets and tee fitting
- o Includes lift rod and self sealing pop-up assembly
- o Recommended 12" spread. Can be installed 8"-16"
- o Available with various Hand Painted Ceramic

AVAILABLE METAL FINISHES

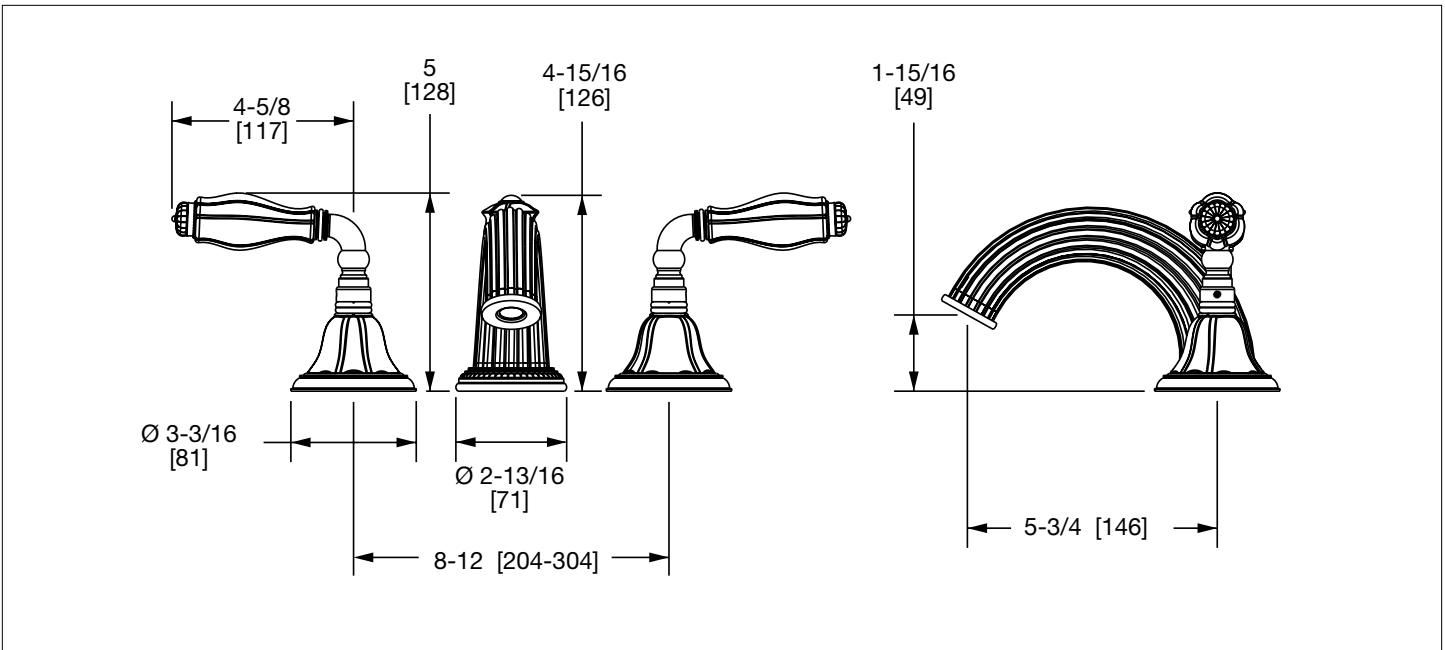
PN Polished Nickel	PB Polished Brass	ES English Silver	AG Antique Gold
CP Polished Chrome	FP Flemish Patina	BS Butler Silver	SP Satin Platinum
BN Brushed Nickel	EP English Patina	RG Rose Gold	HP High Polished Platinum
BC Brushed Chrome	VA Verdi Antique	AP Antique Pewter	BP Burnished Platinum
SB Satin Brass	GP Gold Plate	PE Black Pearl	
OB Oil Rubbed Brass	AL Almond Gold	BG Burnished Gold	

AVAILABLE PLAIN CERAMIC INSERTS

04WH WHITE 04SD SAND

AVAILABLE CERAMIC-HAND PAINTED INSERTS

111P Peaches 74GL Garlands & Leaves 24GP Gold Accents 24PL Platinum Accents



The measurements shown are for reference only. Products and specifications shown are subject to change without notice.

Rev A