

# SHERLE WAGNER INTERNATIONAL

**SOLID GLAZED PROVENCE CERAMIC FLUTED LEVER FAUCET SET** 1029BSN819-04XX-XX  
**HAND PAINTED PROVENCE CERAMIC FLUTED LEVER FAUCET SET** 1029BSN819-XXXX-XX-XX



## PRODUCT FEATURES

- o Available in all Sherle Wagner International finishes
- o Solid brass/bronze construction
- o 1.0 gpm (3.8 L/min) flow rate
- o Includes (2) 1/2" washerless 1/4 turn ceramic valves
- o Includes (2) flexible hoses 1/2" FIP x 1/2" FIP x 12" length
- o Includes gaskets and tee fitting
- o Includes lift rod and self sealing pop-up assembly
- o Recommended 12" spread. Can be installed 8"-16"
- o Available with various Hand Painted Ceramic

## AVAILABLE METAL FINISHES

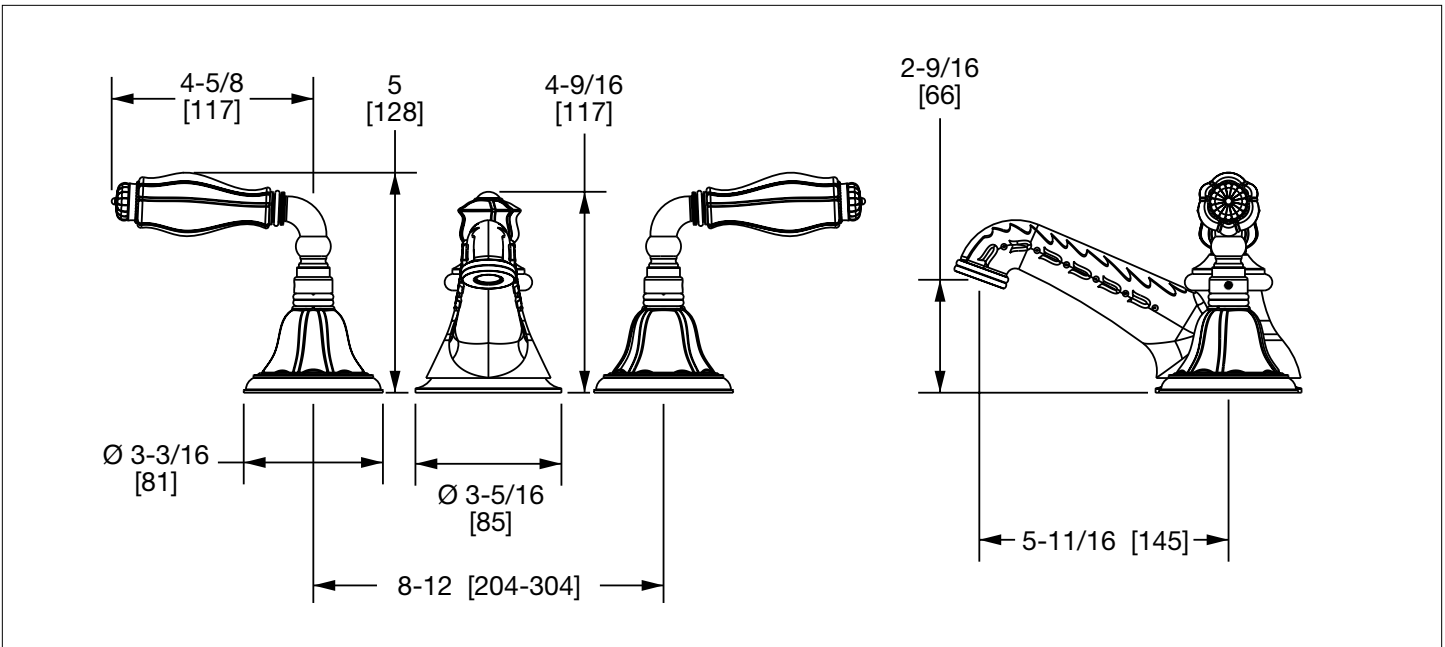
|                     |                   |                   |                           |
|---------------------|-------------------|-------------------|---------------------------|
| PN Polished Nickel  | PB Polished Brass | ES English Silver | AG Antique Gold           |
| CP Polished Chrome  | FP Flemish Patina | BS Butler Silver  | SP Satin Platinum         |
| BN Brushed Nickel   | EP English Patina | RG Rose Gold      | HP High Polished Platinum |
| BC Brushed Chrome   | VA Verdi Antique  | AP Antique Pewter | BP Burnished Platinum     |
| SB Satin Brass      | GP Gold Plate     | PE Black Pearl    |                           |
| OB Oil Rubbed Brass | AL Almond Gold    | BG Burnished Gold |                           |

## AVAILABLE PLAIN CERAMIC INSERTS

04WH WHITE                      04SD SAND

## AVAILABLE CERAMIC-HAND PAINTED INSERTS

111P Peaches                      74GL Garlands & Leaves                      24GP Gold Accents                      24PL Platinum Accents



The measurements shown are for reference only. Products and specifications shown are subject to change without notice.

Rev A