

# SHERLE WAGNER INTERNATIONAL

**SOLID GLAZED PROVENCE CERAMIC FLUTED LEVER FAUCET SET** 1029BSN818-04XX-XX  
**HAND PAINTED PROVENCE CERAMIC FLUTED LEVER FAUCET SET** 1029BSN818-XXXX-XX-XX



029BSN818-04WH-GP

## PRODUCT FEATURES

- o Available in all Sherle Wagner International finishes
- o Solid brass/bronze construction
- o 1.0 gpm (3.8 L/min) flow rate
- o Includes (2) 1/2" washerless 1/4 turn ceramic valves
- o Includes (2) flexible hoses 1/2" FIP x 1/2" FIP x 12" length
- o Includes gaskets and tee fitting
- o Includes lift rod and self sealing pop-up assembly
- o Recommended 12" spread. Can be installed 8"-16"
- o Available with various Hand Painted Ceramic

## AVAILABLE METAL FINISHES

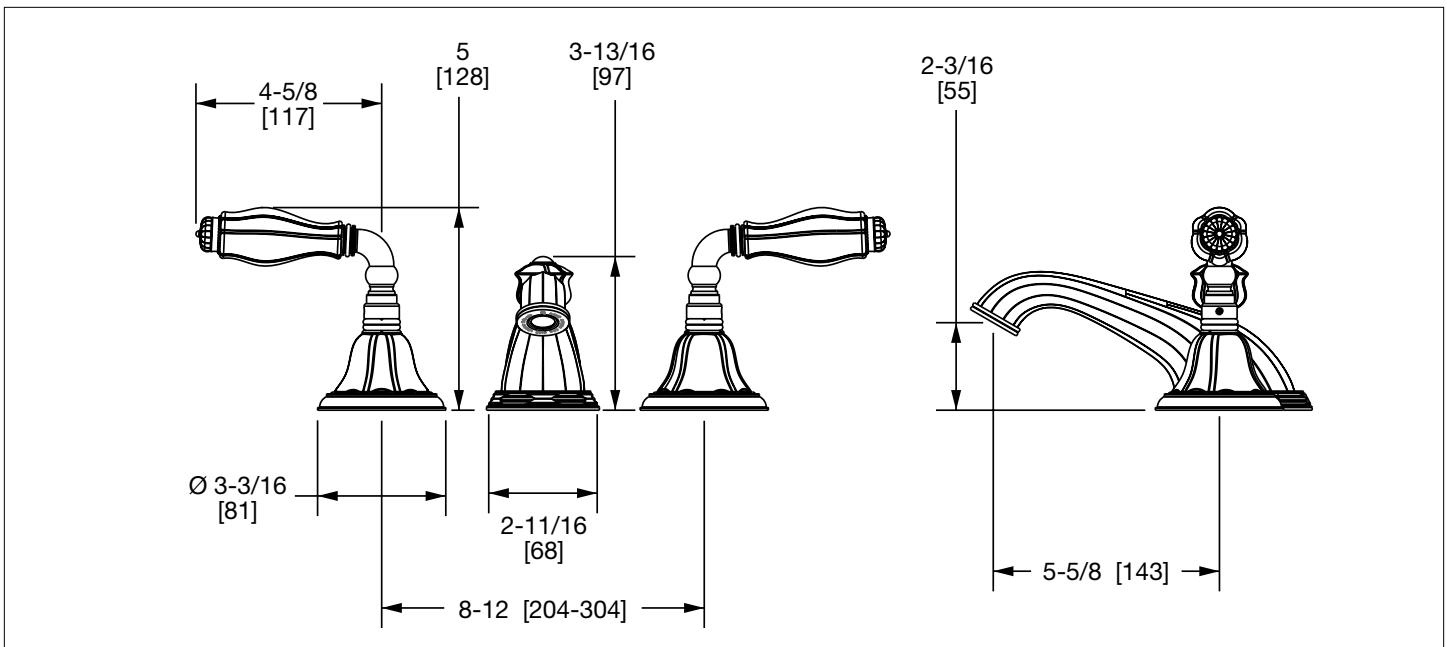
PN Polished Nickel	PB Polished Brass	ES English Silver	AG Antique Gold
CP Polished Chrome	FP Flemish Patina	BS Butler Silver	SP Satin Platinum
BN Brushed Nickel	EP English Patina	RG Rose Gold	HP High Polished Platinum
BC Brushed Chrome	VA Verdi Antique	AP Antique Pewter	BP Burnished Platinum
SB Satin Brass	GP Gold Plate	PE Black Pearl	
OB Oil Rubbed Brass	AL Almond Gold	BG Burnished Gold	

## AVAILABLE PLAIN CERAMIC INSERTS

04WH WHITE                      04SD SAND

## AVAILABLE CERAMIC-HAND PAINTED INSERTS

111P Peaches                      74GL Garlands & Leaves                      24GP Gold Accents                      24PL Platinum Accents



The measurements shown are for reference only. Products and specifications shown are subject to change without notice.

Rev A