

SHERLE WAGNER INTERNATIONAL

SWIRL LEFT HAND LEVER VOLUME CONTROL AND DIVERTER TRIM 1003LV-ESC-LH-XX

SWIRL RIGHT HAND LEVER VOLUME CONTROL AND DIVERTER TRIM 1003LV-ESC-RH-XX



1003LV-ESC-RH-GP

PRODUCT FEATURES

- o Available in all Sherle Wagner International finishes
- o Solid brass/bronze construction
- o Trim only used in conjunction with 1/2" or 3/4" ceramic cartridge volume control valves and Diverter valves
- o Valve sold separately, see sales representative for options
- o Includes stem extension

- o Required add-ons for installation: See sales representative
VLVE-1/2-LH or VLVE-1/2-RH 1/2" inwall valve
VLVE-3/4-LH or VLVE-3/4-RH 3/4" inwall valve

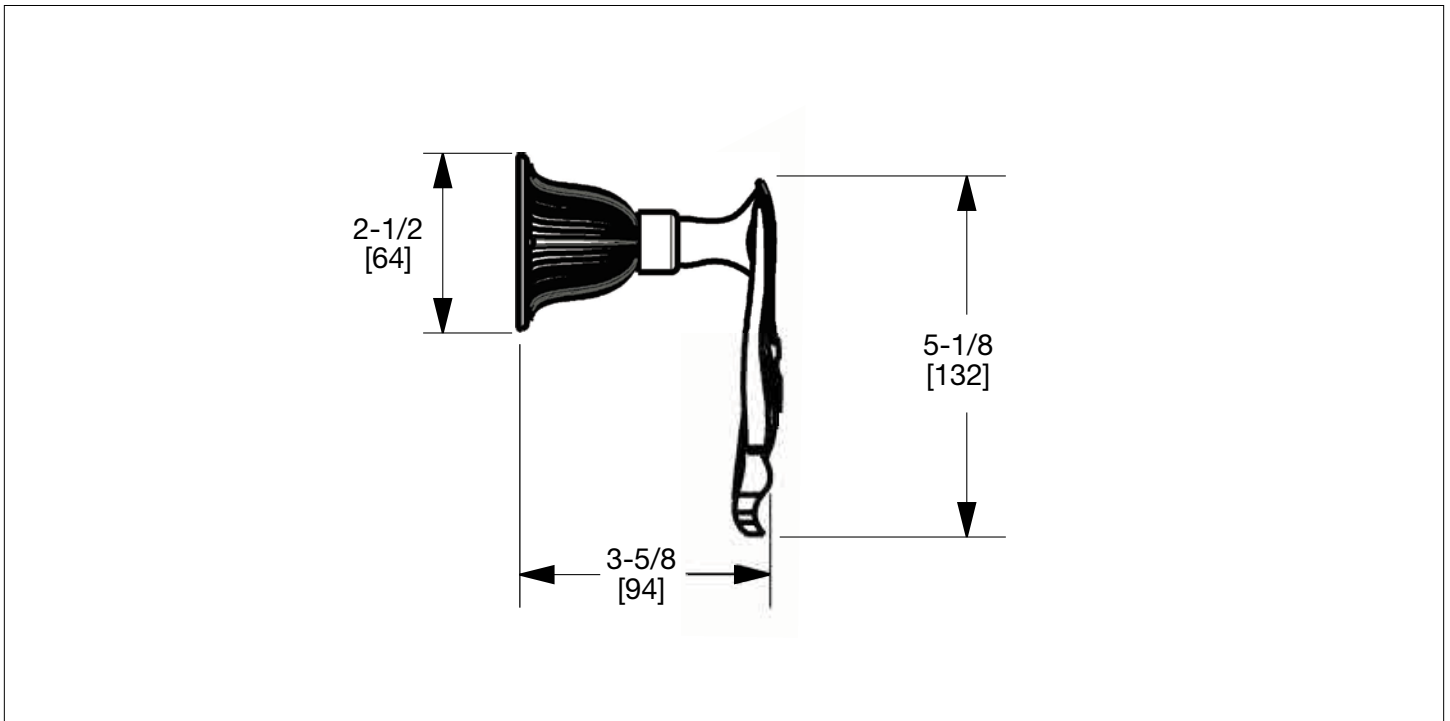
AVAILABLE METAL FINISHES

PN Polished Nickel
CP Polished Chrome
BN Brushed Nickel
BC Brushed Chrome
SB Satin Brass
OB Oil Rubbed Brass

PB Polished Brass
FP Flemish Patina
EP English Patina
VA Verdi Antique
GP Gold Plate
AL Almond Gold

ES English Silver
BS Butler Silver
RG Rose Gold
AP Antique Pewter
PE Black Pearl
BG Burnished Gold

AG Antique Gold
SP Satin Platinum
HP High Polished Platinum
BP Burnished Platinum



The measurements shown are for reference only. Products and specifications shown are subject to change without notice.

Rev A