

# SHERLE WAGNER INTERNATIONAL

**DECK MOUNT CRADLE WITH SOLID GLAZED SCALLOPED CERAMIC ESCUTCHEON** 0849DKMT-03XX-XX  
**DECK MOUNT CRADLE WITH HAND DECORATED SCALLOPED CERAMIC ESCUTCHEON** 0849DKMT-XXXX-XX-XX  
**DECK MOUNT CRADLE WITH HAND PAINTED SCALLOPED CERAMIC ESCUTCHEON** 0849DKMT-XXXX-XX-XX



## PRODUCT FEATURES

- o Available in all Sherle Wagner International finishes
- o Solid brass/bronze construction
- o Includes mounting hardware
- o Available with various decorated and hand painted ceramic

## AVAILABLE METAL FINISHES

<b>PN</b> Polished Nickel	<b>PB</b> Polished Brass	<b>ES</b> English Silver	<b>AG</b> Antique Gold
<b>CP</b> Polished Chrome	<b>FP</b> Flemish Patina	<b>BS</b> Butler Silver	<b>SP</b> Satin Platinum
<b>BN</b> Brushed Nickel	<b>EP</b> English Patina	<b>RG</b> Rose Gold	<b>HP</b> High Polished Platinum
<b>BC</b> Brushed Chrome	<b>VA</b> Verdi Antique	<b>AP</b> Antique Pewter	<b>BP</b> Burnished Platinum
<b>SB</b> Satin Brass	<b>GP</b> Gold Plate	<b>PE</b> Black Pearl	
<b>OB</b> Oil Rubbed Brass	<b>AL</b> Almond Gold	<b>BG</b> Burnished Gold	

## AVAILABLE PLAIN CERAMIC INSERTS

<b>03WH</b> WHITE	<b>03SD</b> SAND
-------------------	------------------

## AVAILABLE CERAMIC-HAND DECORATED INSERTS

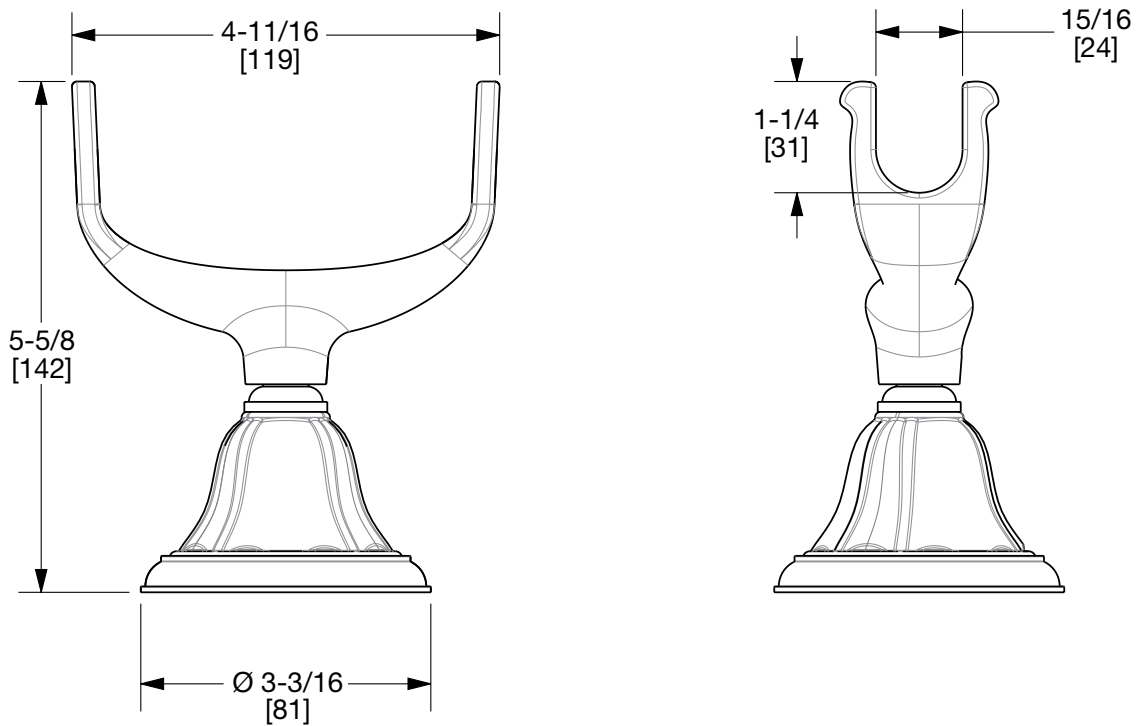
<b>89GA</b> Le Jardin - Garnet	<b>89BL</b> Le Jardin - Blue	<b>99GA</b> Acorn & Oakleaf - Garnet	<b>99BL</b> Acorn & Oakleaf - Blue
<b>89SP</b> Le Jardin - Sepia	<b>89SG</b> Le Jardin - Sage	<b>99SP</b> Acorn & Oakleaf - Sepia	<b>99SG</b> Acorn & Oakleaf - Sage
<b>89CH</b> Le Jardin - Charcoal	<b>89GG</b> Le Jardin - Greige	<b>99CH</b> Acorn & Oakleaf - Charcoal	<b>99GG</b> Acorn & Oakleaf - Greige
<b>89LB</b> Le Jardin - Light Blue		<b>99LB</b> Acorn & Oakleaf - Light Blue	

## AVAILABLE CERAMIC-HAND PAINTED INSERTS

<b>60BL</b> Chinoiserie - Blue	<b>20BL</b> Lotus - Blue	<b>56BL</b> Mums - Blue	<b>107A</b> Artichoke
<b>60GR</b> Chinoiserie - Green	<b>20GR</b> Lotus - Green	<b>56GR</b> Mums - Green	<b>66DL</b> Delft
<b>60PK</b> Chinoiserie - Pink	<b>20WH</b> Lotus - White	<b>109W</b> Waterlilies	
<b>61BL</b> Floral Chinoiserie - Blue	<b>18BL</b> Ming Blossom - Blue	<b>69PP</b> Poppies	<b>24GP</b> Gold Accents
<b>61GR</b> Floral Chinoiserie - Green	<b>18BR</b> Ming Blossom - Brown	<b>54OF</b> Oriental Flowers	<b>24PL</b> Platinum Accents
<b>61PK</b> Floral Chinoiserie - Pink	<b>18PK</b> Ming Blossom - Pink	<b>51SG</b> Summer Garden	
	<b>18YW</b> Ming Blossom - Yellow		

# SHERLE WAGNER INTERNATIONAL

**DECK MOUNT CRADLE WITH SOLID GLAZED SCALLOPED CERAMIC ESCUTCHEON** 0849DKMT-03XX-XX  
**DECK MOUNT CRADLE WITH HAND DECORATED SCALLOPED CERAMIC ESCUTCHEON** 0849DKMT-XXXX-XX-XX  
**DECK MOUNT CRADLE WITH HAND PAINTED SCALLOPED CERAMIC ESCUTCHEON** 0849DKMT-XXXX-XX-XX



The measurements shown are for reference only. Products and specifications shown are subject to change without notice.

Rev A