

# SHERLE WAGNER INTERNATIONAL

**ADJUSTABLE BODY SPRAY LARGE WITH NEUTRAL FLANGE** 0838L-NU-XX  
**ADJUSTABLE BODY SPRAY SMALL WITH NEUTRAL FLANGE** 0838S-NU-XX



## PRODUCT FEATURES

- o Available in all Sherle Wagner International finishes
- o Solid brass/bronze construction
- o Available with coordinating back plate
- o 2.0 gpm (7.6 L/min) flow rate for large Body Spray
- o 1.5 gpm 5.7 L/min) flow rate for small Body Spray
- o Mounts to 1/2" NPT fitting

0838S-NU-GP

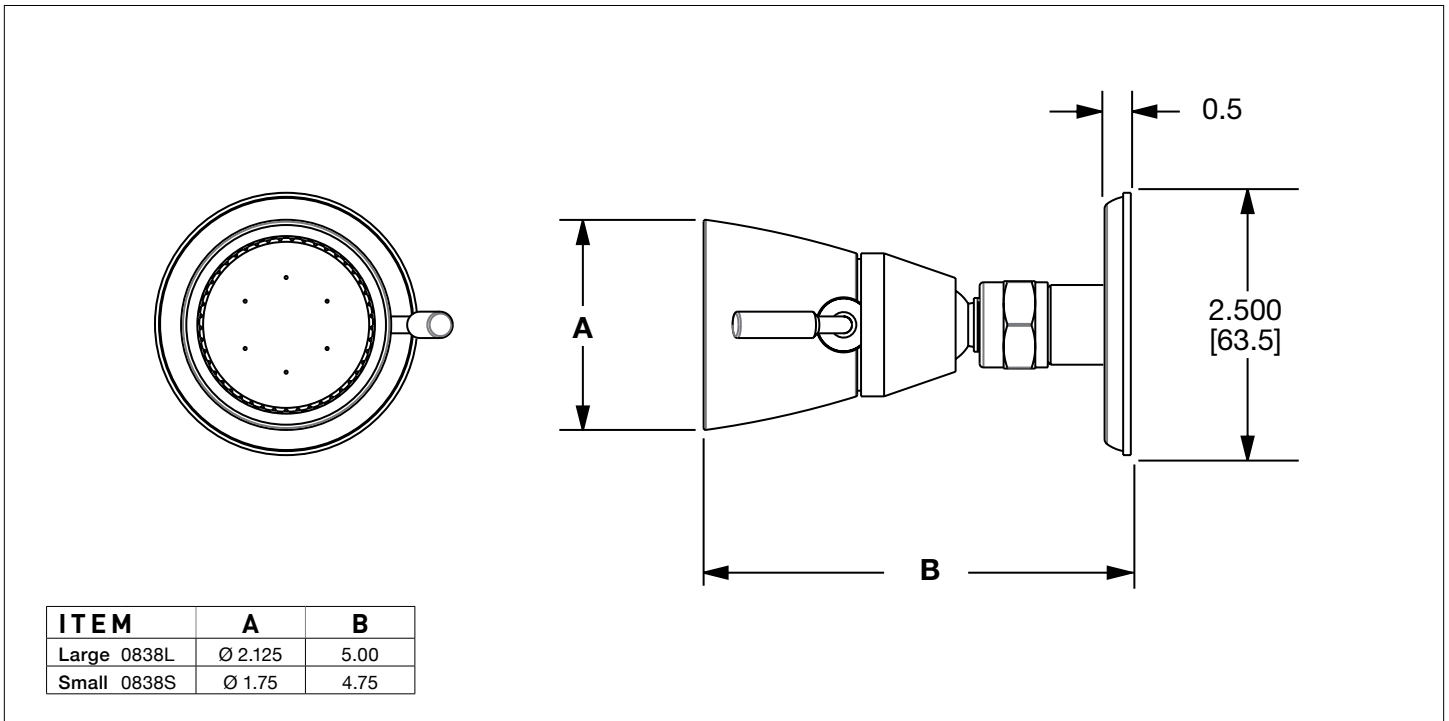
## AVAILABLE METAL FINISHES

PN Polished Nickel  
 CP Polished Chrome  
 BN Brushed Nickel  
 BC Brushed Chrome  
 SB Satin Brass  
 OB Oil Rubbed Brass

PB Polished Brass  
 FP Flemish Patina  
 EP English Patina  
 VA Verdi Antique  
 GP Gold Plate  
 AL Almond Gold

ES English Silver  
 BS Butler Silver  
 RG Rose Gold  
 AP Antique Pewter  
 PE Black Pearl  
 BG Burnished Gold

AG Antique Gold  
 SP Satin Platinum  
 HP High Polished Platinum  
 BP Burnished Platinum



The measurements shown are for reference only. Products and specifications shown are subject to change without notice.

Rev A