

# SHERLE WAGNER INTERNATIONAL

**ADJUSTABLE BODY SPRAY LARGE WITH GREY FLANGE** 0838L-GR-XX  
**ADJUSTABLE BODY SPRAY SMALL WITH GREY FLANGE** 0838S-GR-XX



0838S-GR-GP

## PRODUCT FEATURES

- o Available in all Sherle Wagner International finishes
- o Solid brass/bronze construction
- o Available with coordinating back plate
- o 2.0 gpm (7.6 L/min) flow rate for large Body Spray
- o 1.5 gpm 5.7 L/min) flow rate for small Body Spray
- o Mounts to 1/2" NPT fitting

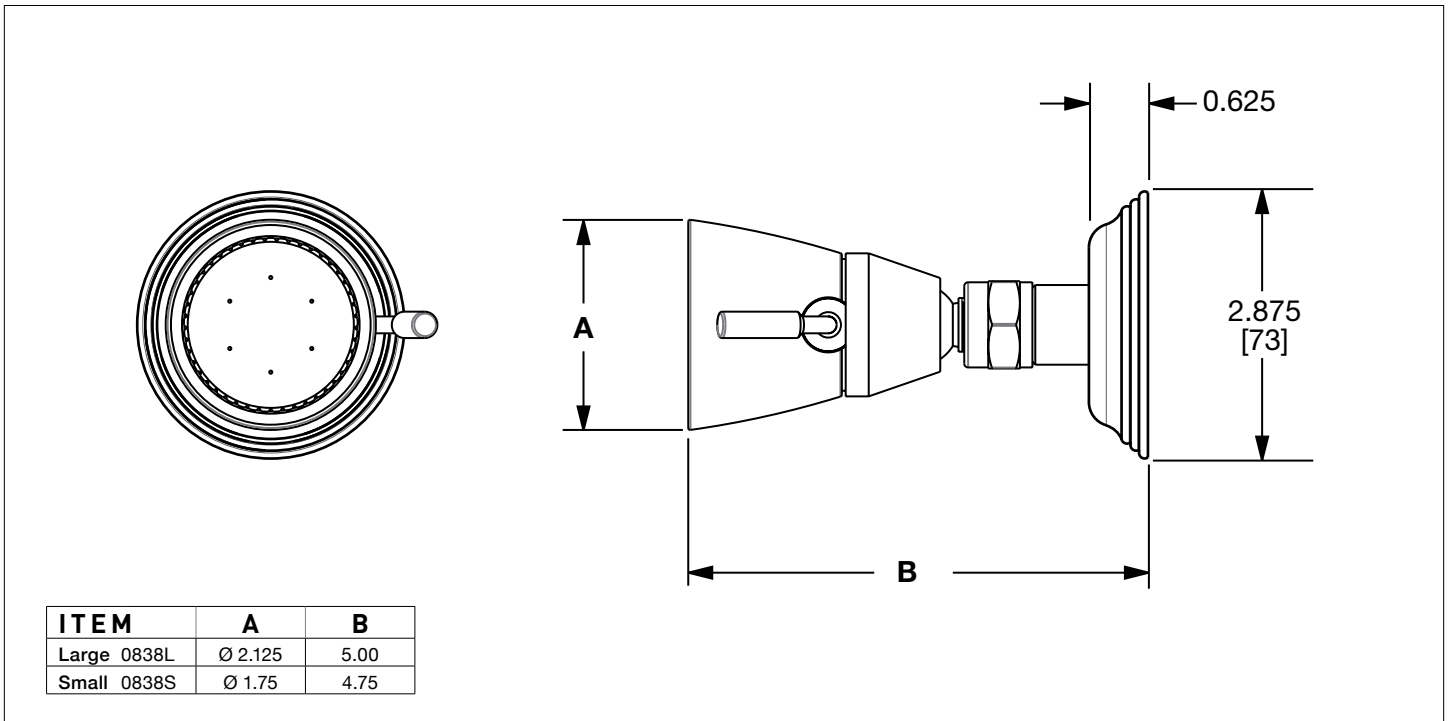
## AVAILABLE METAL FINISHES

**PN** Polished Nickel  
**CP** Polished Chrome  
**BN** Brushed Nickel  
**BC** Brushed Chrome  
**SB** Satin Brass  
**OB** Oil Rubbed Brass

**PB** Polished Brass  
**FP** Flemish Patina  
**EP** English Patina  
**VA** Verdi Antique  
**GP** Gold Plate  
**AL** Almond Gold

**ES** English Silver  
**BS** Butler Silver  
**RG** Rose Gold  
**AP** Antique Pewter  
**PE** Black Pearl  
**BG** Burnished Gold

**AG** Antique Gold  
**SP** Satin Platinum  
**HP** High Polished Platinum  
**BP** Burnished Platinum



The measurements shown are for reference only. Products and specifications shown are subject to change without notice.

Rev A