

SHERLE WAGNER INTERNATIONAL

ADJUSTABLE BODY SPRAY LARGE WITH CLASSICAL FLANGE 0838L-CL-XX
ADJUSTABLE BODY SPRAY SMALL WITH CLASSICAL FLANGE 0838S-CL-XX

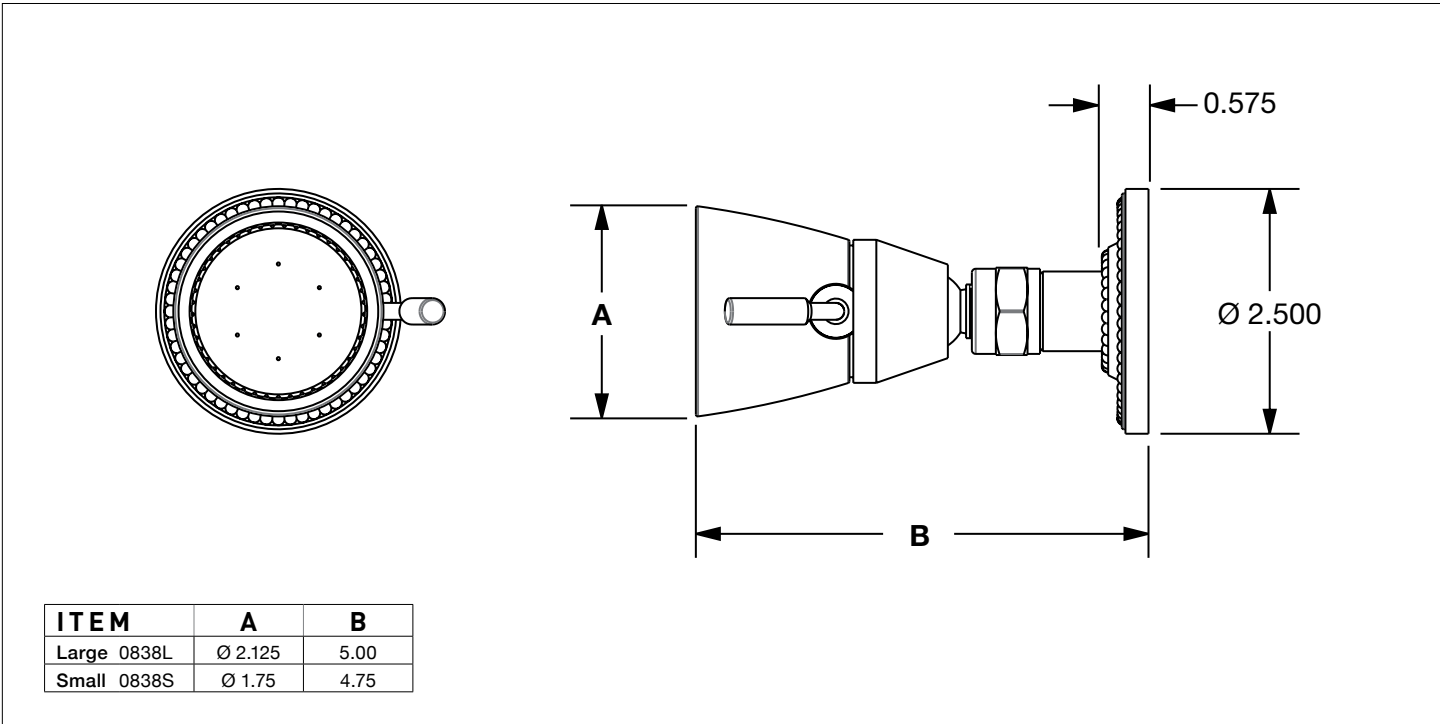


PRODUCT FEATURES

- o Available in all Sherle Wagner International finishes
- o Solid brass/bronze construction
- o Available with coordinating back plate
- o 2.0 gpm (7.6 L/min) flow rate for large Body Spray
- o 1.5 gpm 5.7 L/min) flow rate for small Body Spray
- o Mounts to 1/2" NPT fitting

AVAILABLE METAL FINISHES

- | | | | |
|---------------------|-------------------|-------------------|---------------------------|
| PN Polished Nickel | PB Polished Brass | ES English Silver | AG Antique Gold |
| CP Polished Chrome | FP Flemish Patina | BS Butler Silver | SP Satin Platinum |
| BN Brushed Nickel | EP English Patina | RG Rose Gold | HP High Polished Platinum |
| BC Brushed Chrome | VA Verdi Antique | AP Antique Pewter | BP Burnished Platinum |
| SB Satin Brass | GP Gold Plate | PE Black Pearl | |
| OB Oil Rubbed Brass | AL Almond Gold | BG Burnished Gold | |



The measurements shown are for reference only. Products and specifications shown are subject to change without notice.

Rev A