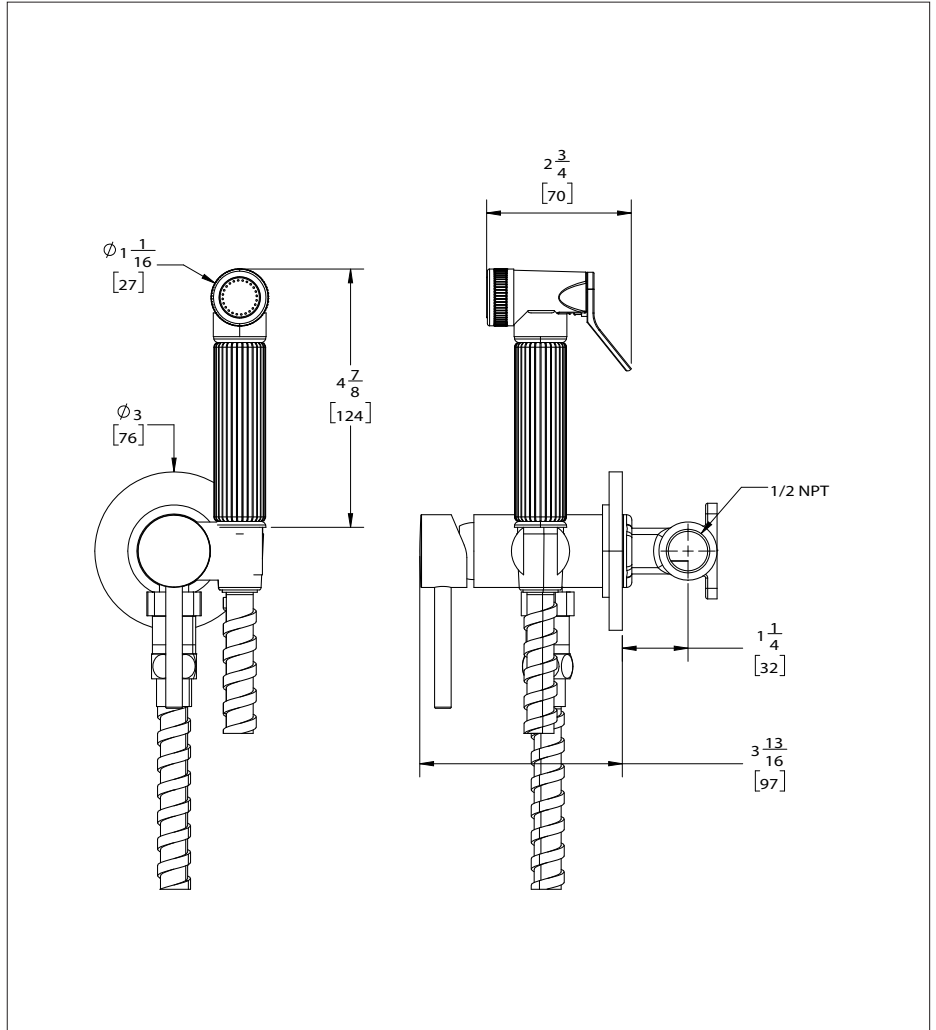


# SHERLE WAGNER INTERNATIONAL

## HYGENIC HAND HELD BIDET TRIGGER SPRAYER WITH TEMP CONTROL 0833WLMT-BDT-TEMP-XX



### PRODUCT FEATURES

- o Available in all Sherle Wagner International finishes
- o Solid brass/bronze construction
- o 1.5 gpm (5.6 L/min) flow rate
- o Includes 1/2" female NPT connections
- o 60" double spiral metal hose
- o Includes check stop for backflow prevention
- o Includes Wallmount Hook, Supply and mounting hardware
- o Handle function 90 degree rotation from cold to hot with volume control

### AVAILABLE METAL FINISHES

PN Polished Nickel	SB Satin Brass	GP Gold Plate	ES English Silver	PE Black Pearl	SP Satin Platinum
CP Polished Chrome	OB Oil Rubbed Brass	AL Almond Gold	BS Butler Silver	BG Burnished Gold	HP High Polished Platinum
BN Brushed Nickel	PB Polished Brass	RG Rose Gold	AP Antique Pewter	AG Antique Gold	BP Burnished Platinum
BC Brushed Chrome					