

SHERLE WAGNER INTERNATIONAL

HEXAGON COUNTER WITH UE14 OPENING 0296-UE14-XXXX

HEXAGON COUNTER WITH UE15 OPENING 0296-UE15-XXXX

HEXAGON COUNTER WITH INTEGRATED OVAL SINK 0296B-XXXX



0296-UE14-PTLA

PRODUCT FEATURES

- o Available in various marble and onyx
- o Includes mounting hardware
- o Specify basin cutout
- o Available with UE14, UE15 and integrated oval basin cutout
- o Contact sales associate for custom size and stone options
- o Legs, Basin Set and Basin sold separately
- o Shown with Ribbon & Reed Leg 4753, Louis Seize Lever Basin Set 0931BSN, and Under Edge Basin UE14-WHT

AVAILABLE MARBLE

RSAU Rose Aurora
ARAB Arabescato
CARR Cararra
RUVI Ruvina

CAGR Carnico Grey
NEMA Negro Marquina
MARI Marianella
PTLA Port Laurent

PORT Portoro
RSDM Rosa Du Monte
CALA Calacatta
IMBR Imperador Brown

VERD Verdi Viana
THAS Ultra White Thasos
CREMA Crema Marfil

AVAILABLE ONYX

BROX Brown Onyx
PKOX Pink Onyx

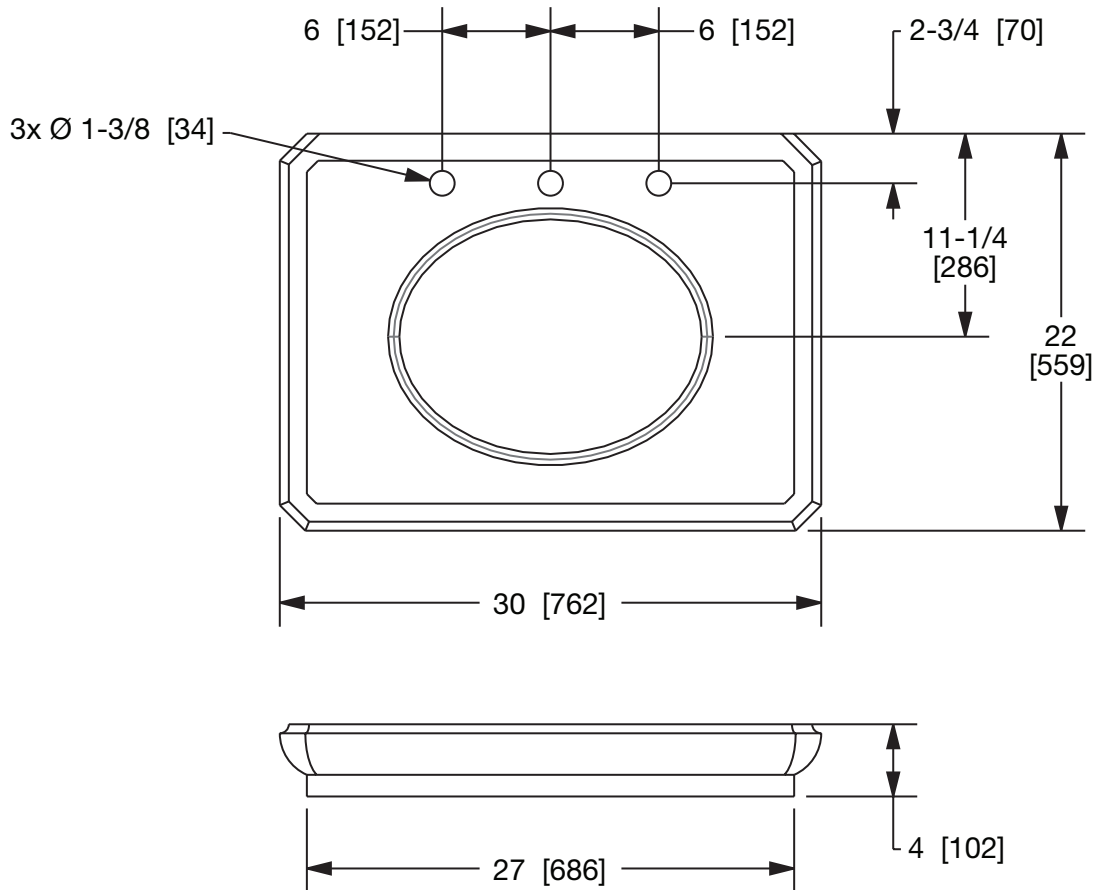
GROX Green Onyx
BKOX Black Onyx

WHOX White Onyx

HNOX Honey Onyx

SHERLE WAGNER INTERNATIONAL

HEXAGON COUNTER WITH UE14 OPENING 0296-UE14-XXXX
HEXAGON COUNTER WITH UE15 OPENING 0296-UE15-XXXX
HEXAGON COUNTER WITH INTEGRATED OVAL SINK 0296B-XXXX



The measurements shown are for reference only. Products and specifications shown are subject to change without notice.

Rev B