

SHERLE WAGNER INTERNATIONAL

BALUSTRADE TUB 0295TUB-XXXX



0295TUB-HNOX

PRODUCT FEATURES

- o Carved from solid block of stone
- o Available in various marble and onyx
- o 2-1/2" drain diameter
- o Approximate 2400 lbs (1088.6 kg)
- o Requires a free standing waste system with integrated over flow

AVAILABLE MARBLE

RSAU Rose Aurora
ARAB Arabescato
CARR Cararra
RUVI Ruvina

CAGR Carnico Grey
NEMA Negro Marquina
MARI Marianella
PTLA Port Laurent

PORT Portoro
RSDM Rosa Du Monte
CALA Calacatta
IMBR Imperador Brown

VERD Verdi Viana
THAS Ultra White Thasos
CREMA Crema Marfil

AVAILABLE ONYX

BROX Brown Onyx
PKOX Pink Onyx

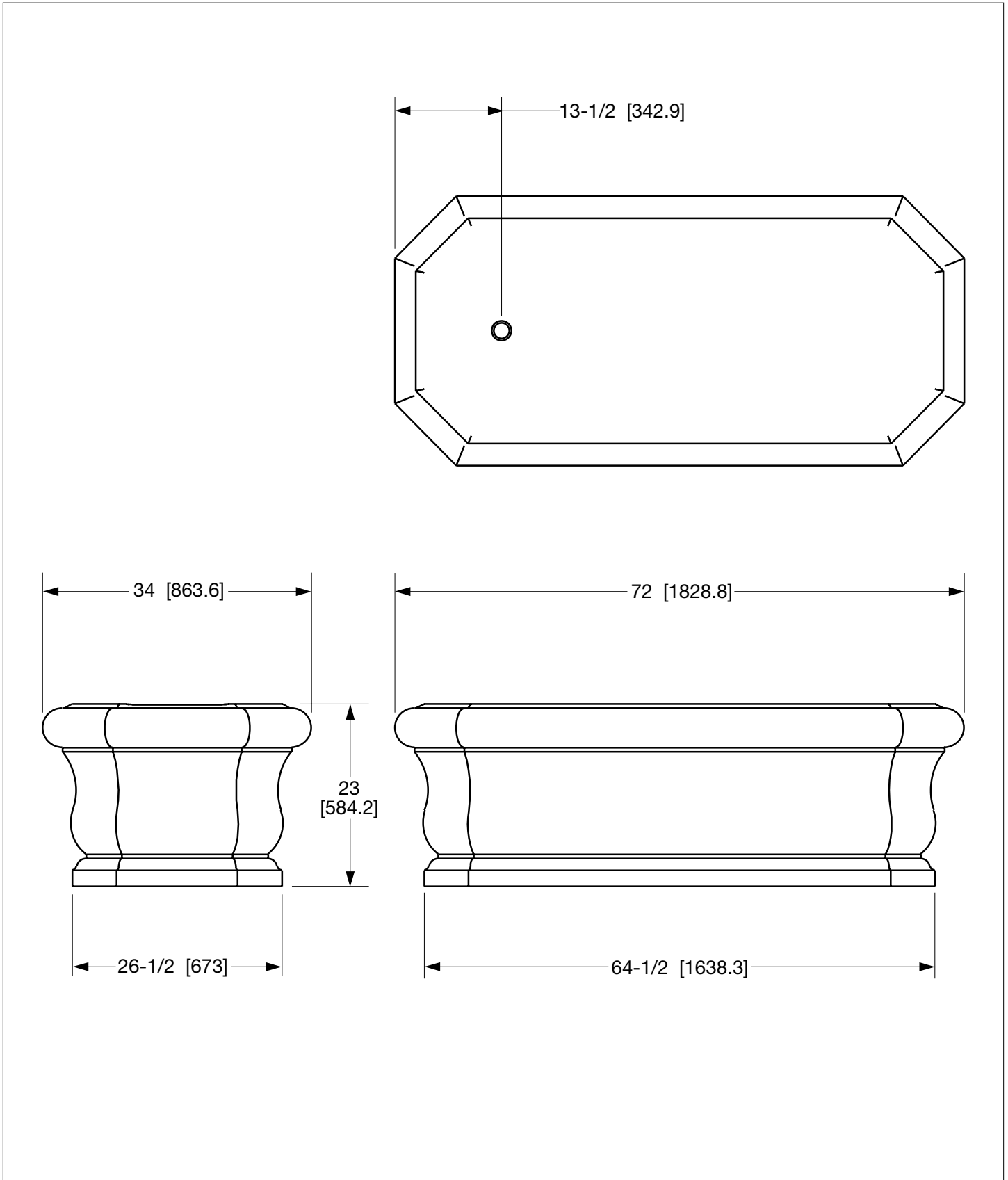
CROX Cream Onyx
BKOX Black Onyx

WHOX White Onyx
GROX Green Onyx

HNOX Honey Onyx

SHERLE WAGNER INTERNATIONAL

BALUSTRADE TUB 0295TUB-XXXX



The measurements shown are for reference only. Products and specifications shown are subject to change without notice.

Rev A