

# SHERLE WAGNER INTERNATIONAL

## GRECIAN TUB WITH CLAW FOOT 0292TCF-XXXX



0292TCF-HNOX

### PRODUCT FEATURES

- o Carved from solid block of stone
- o Available in various marble and onyx
- o 2-1/2" drain diameter
- o Approximate 2500 lbs (1124 kg)
- o Requires a free standing waste system with integrated over flow

### AVAILABLE MARBLE

**RSAU** Rose Aurora  
**ARAB** Arabescato  
**CARR** Cararra  
**RUVI** Ruvina

**CAGR** Carnico Grey  
**NEMA** Negro Marquina  
**MARI** Marianella  
**PTLA** Port Laurent

**PORT** Portoro  
**RSDM** Rosa Du Monte  
**CALA** Calacatta  
**IMBR** Imperador Brown

**VERD** Verdi Viana  
**THAS** Ultra White Thasos  
**CREMA** Crema Marfil

### AVAILABLE ONYX

**BROX** Brown Onyx  
**PKOX** Pink Onyx

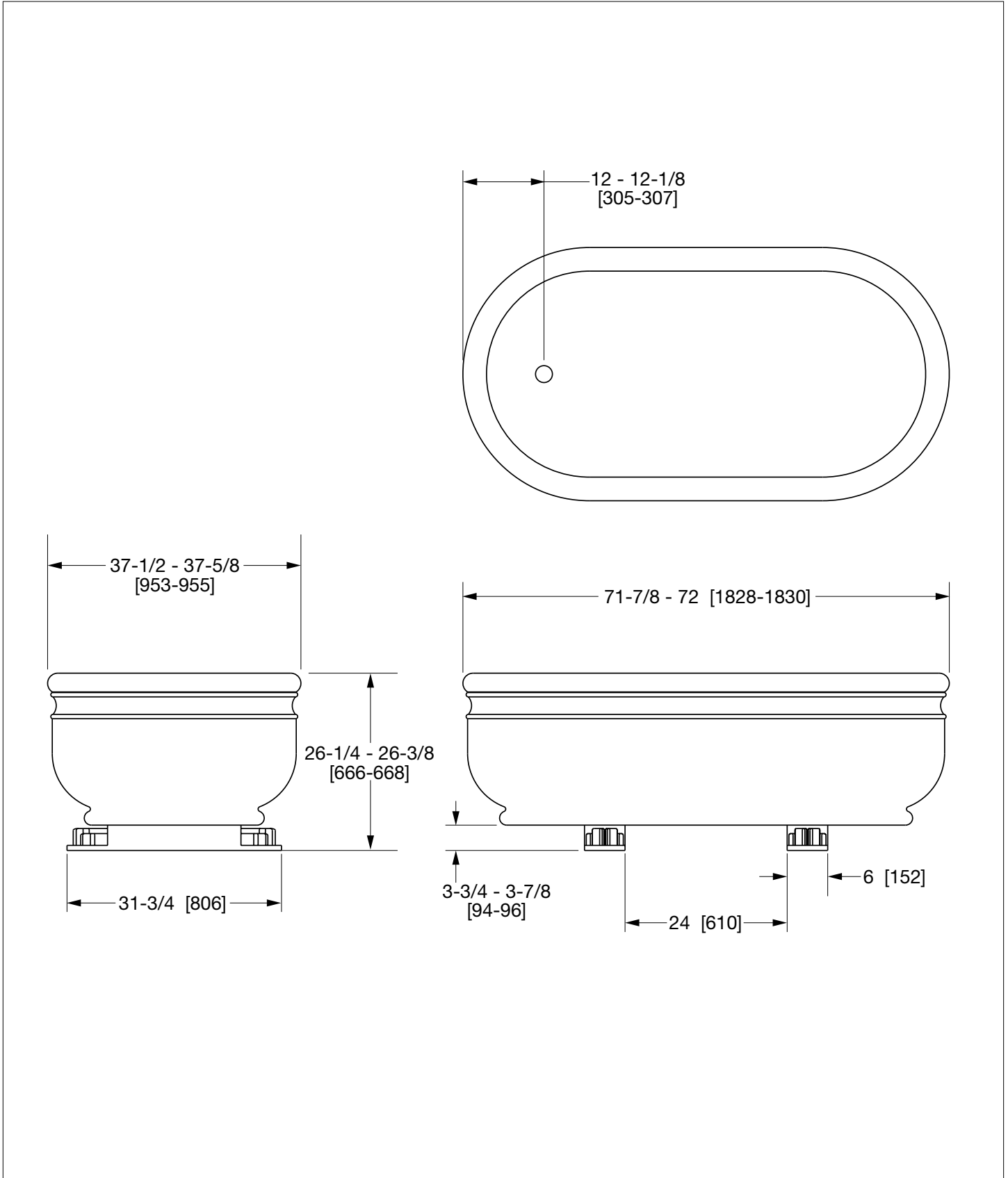
**CROX** Cream Onyx  
**BKOX** Black Onyx

**WHOX** White Onyx  
**GROX** Green Onyx

**HNOX** Honey Onyx

# SHERLE WAGNER INTERNATIONAL

## GRECIAN TUB WITH CLAW FOOT 0292TCF-XXXX



The measurements shown are for reference only. Products and specifications shown are subject to change without notice.

Rev D