

# SHERLE WAGNER INTERNATIONAL

**CLASSIC COUNTER WITH UE OR OE OPENING** 0250-XXX-XXXX

**CLASSIC COUNTER FOR RECESSED LEGS WITH UE OR OE OPENING** 0250B-XXX-XXXX



## PRODUCT FEATURES

- o Available in various marble and onyx
- o Includes mounting hardware
- o Specify basin cutout
- o Available with OE3, OE4, OE5, OE6, OE10, UE15 openings
- o Contact sales associate for custom size and stone options
- o Legs, Basin Set and Basin sold separately
- o Shown with Footed Leg 4758, Classical Lever Basin Set 0932BSN, and Under Edge Basin UE15-SND

## AVAILABLE MARBLE

**RSAU** Rose Aurora  
**ARAB** Arabescato  
**CARR** Cararra  
**RUVI** Ruvina

**CAGR** Carnico Grey  
**NEMA** Negro Marquina  
**MARI** Marianella  
**PTLA** Port Laurent

**PORT** Portoro  
**RSDM** Rosa Du Monte  
**CALA** Calacatta  
**IMBR** Imperador Brown

**VERD** Verdi Viana  
**THAS** Ultra White Thasos  
**CREMA** Crema Marfil

## AVAILABLE ONYX

**BROX** Brown Onyx  
**PKOX** Pink Onyx

**GROX** Green Onyx  
**BKOX** Black Onyx

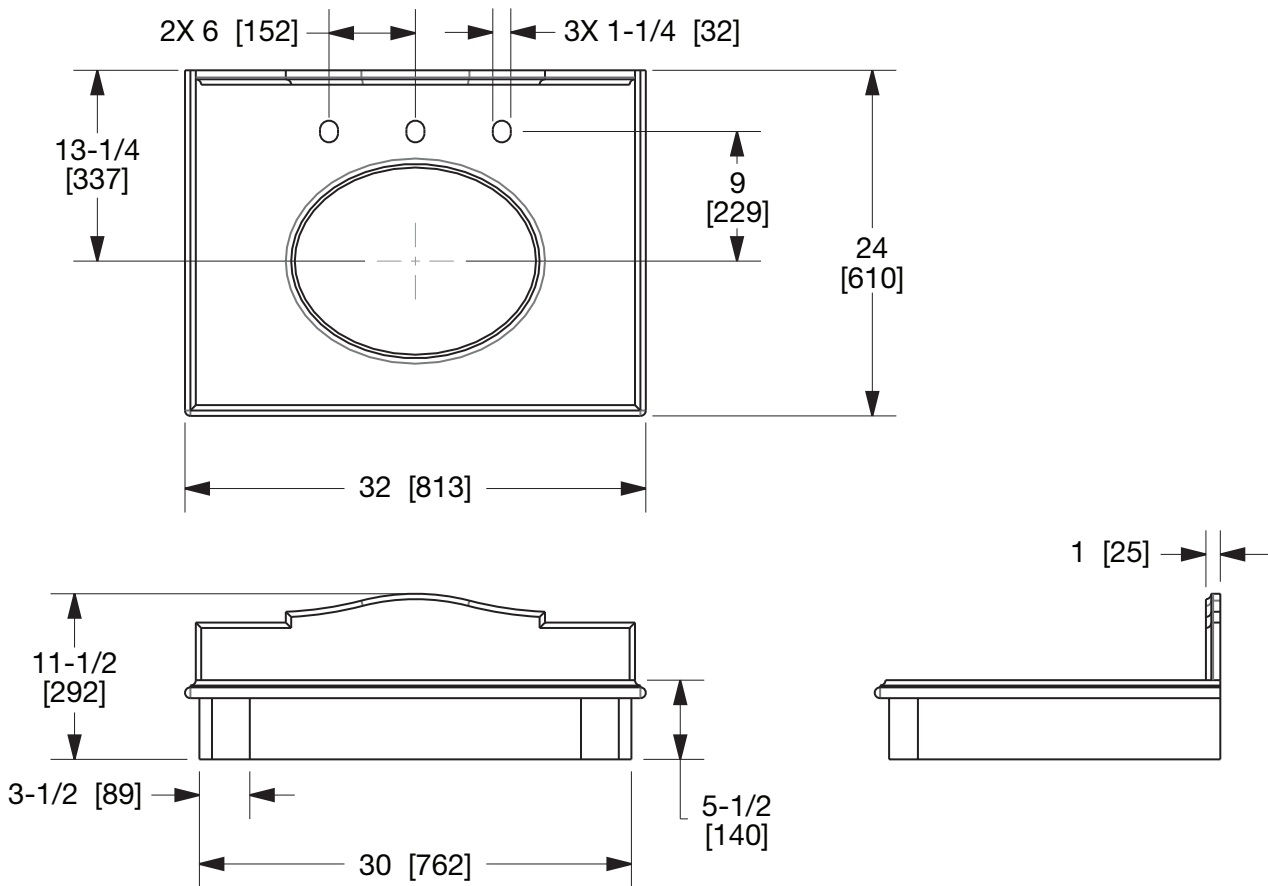
**WHOX** White Onyx

**HNOX** Honey Onyx

# SHERLE WAGNER INTERNATIONAL

**CLASSIC COUNTER WITH UE OR OE OPENING** 0250-XXX-XXXX

**CLASSIC COUNTER FOR RECESSED LEGS WITH UE OR OE OPENING** 0250B-XXX-XXXX



The measurements shown are for reference only. Products and specifications shown are subject to change without notice.

Rev B