

SHERLE WAGNER INTERNATIONAL

SOLID GLAZED TULIP PEDESTAL 0222PED-XXX



0222PED-WHT

PRODUCT FEATURES

- o Vitreous China
- o Available in white (WH) or sand (SD) finishes
- o Available with various Ceramic glaze color
- o Available with various hand painted and hand decorated designs, and decorative decals
- o Shown with Provence Hand Painted Ceramic Fluted Lever Faucet Set 1029BSN821-24PL-WH

AVAILABLE CERAMIC GLAZE COLOR

WHT White Glaze	SND Sand Glaze	BLK Black Glaze	CUST Custom Glaze
15PL Burnished Platinum	14GP Burnished Gold	17HP Highly polished Platinum	

AVAILABLE DECORATIVE DETAILS

MS-G Masonary- Burnished Gold	5EN-G Fleur de Lis- Burnished Gold	25GP Random Leaves- Burnished Gold	24GP Accents- Burnished Gold
MS-P Masonary- Burnished Platinum	5EN-P Fleur de Lis- Burnished Platinum	25PL Random Leaves- Burnished Platinum	24PL Accents- Burnished Platinum
MR-G Modern Rings- Burnished Gold	MR-P Modern Rings- Burnished Platinum	25BK Random Leaves- Black	24HP Accents- Polished Platinum

AVAILABLE CERAMIC-HAND DECORATED

89GA Le Jardin- Garnet	89BL Le Jardin- Blue	99GA Acorn & Oakleaf- Garnet	99BL Acorn & Oakleaf- Blue
89SP Le Jardin- Sepia	89SG Le Jardin- Sage	99SP Acorn & Oakleaf- Sepia	99SG Acorn & Oakleaf- Sage
89CH Le Jardin- Charcoal	89GG Le Jardin- Greige	99CH Acorn & Oakleaf- Charcoal	99GG Acorn & Oakleaf- Greige
89LB Le Jardin- Light Blue		99LB Acorn & Oakleaf- Light Blue	

AVAILABLE CERAMIC-HAND PAINTED

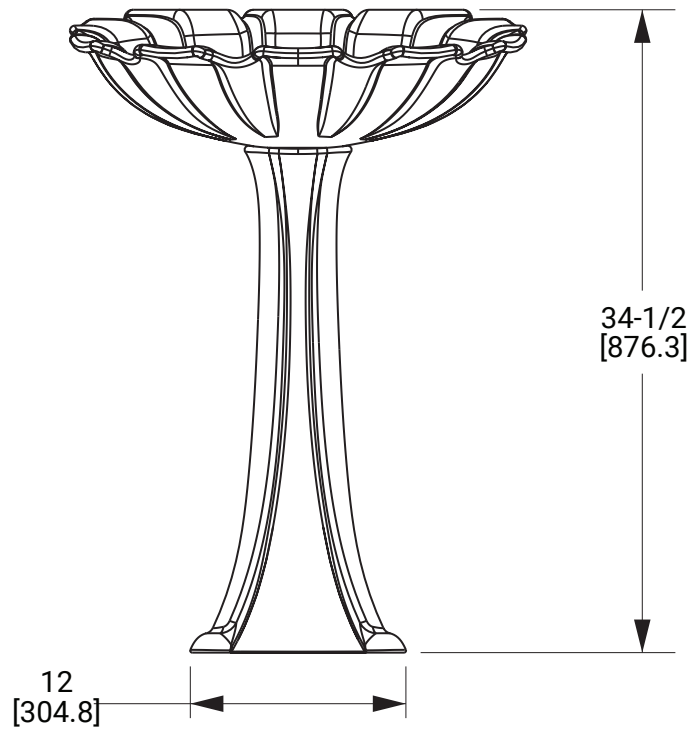
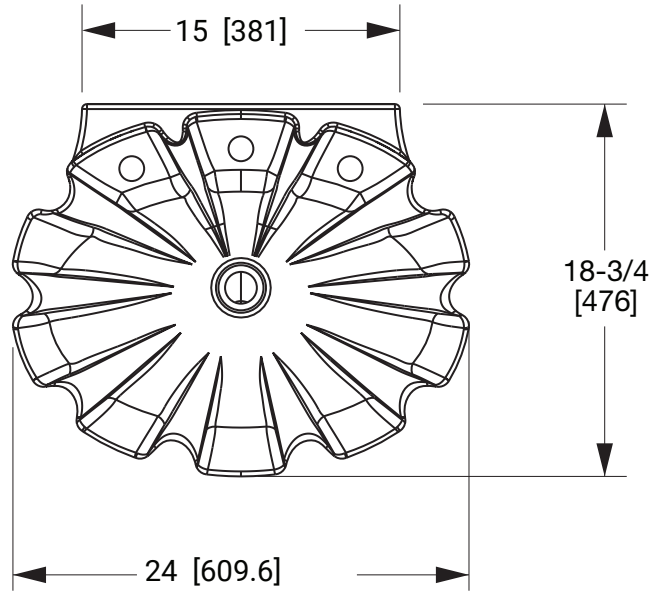
60BL Chinoiserie- Blue	18BL Ming Blossom- Blue	20BL Lotus- Blue	51SG Summer Garden
60GR Chinoiserie- Green	18BR Ming Blossom- Brown	20GR Lotus- Green	107A Artichoke
60PK Chinoiserie- Pink	18PK Ming Blossom- Pink	20WH Lotus- White	66DL Delft
61BL Floral Chinoiserie- Blue	18YW Ming Blossom- Yellow	540F Oriental Flowers	
61GR Floral Chinoiserie- Green	56BL Mums- Blue	109W Waterlilies	74GL Garlands & Leaves
61PK Floral Chinoiserie- Pink	56GR Mums- Green	69PP Poppies	111P Peaches

The measurements shown are for reference only. Products and specifications shown are subject to change without notice.

Rev A

SHERLE WAGNER INTERNATIONAL

SOLID GLAZED TULIP PEDESTAL 0222PED-XXX



The measurements shown are for reference only. Products and specifications shown are subject to change without notice.

Rev A