

# SHERLE WAGNER INTERNATIONAL

## BLOCK WITH ARCO LEVER WALL MOUNT TUB SET 008TUB-826-XX

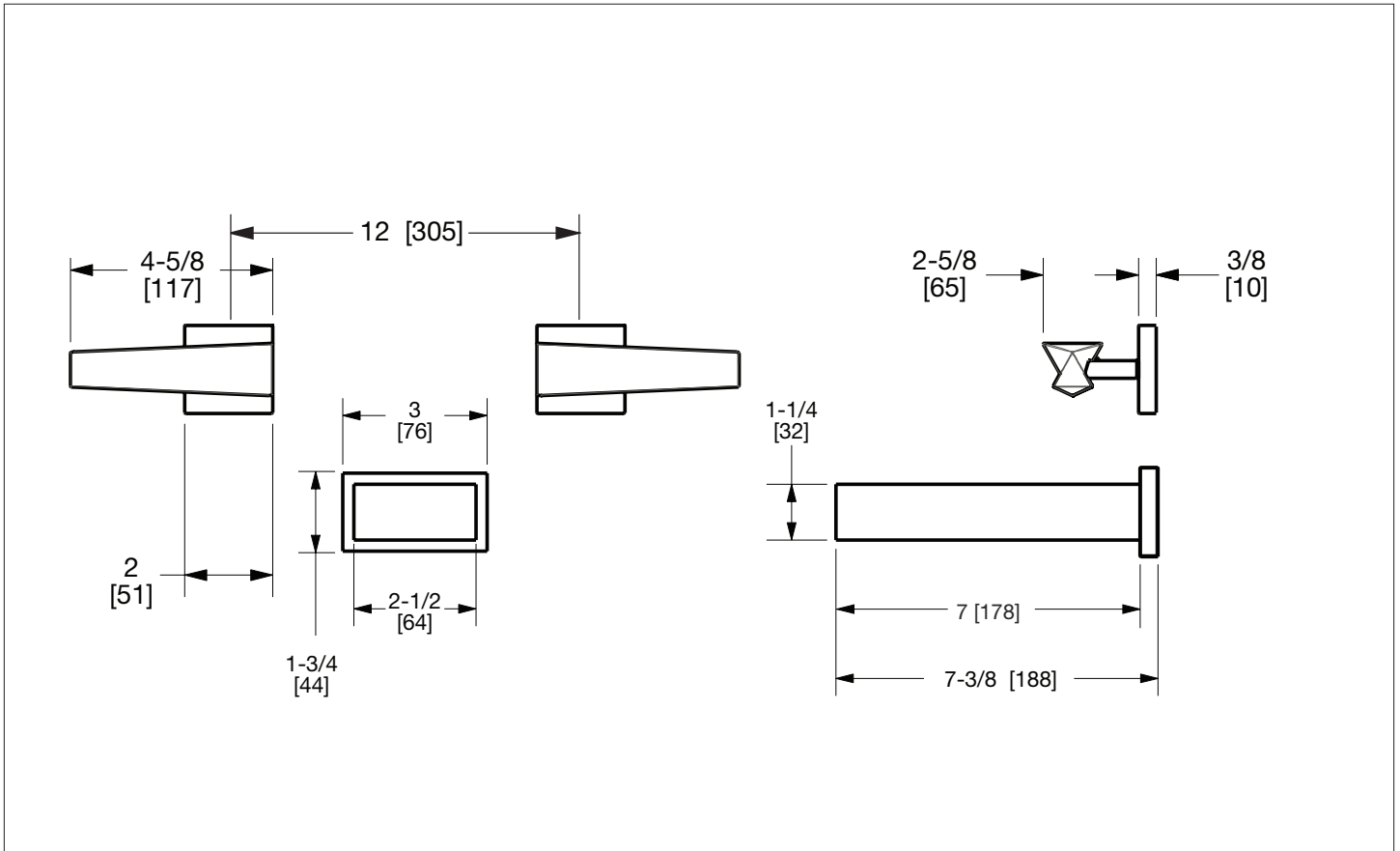


### PRODUCT FEATURES

- o Available in all Sherle Wagner International finishes
- o Solid brass/bronze construction
- o Full flow
- o Recommended 12" spread. Can be installed 8"-16"
- o Required add-ons for installation:
  - (2) 1/2" washerless 1/4 turn ceramic valves
  - In wall 1/2" (un-piped) valve

### AVAILABLE METAL FINISHES

<b>PN</b> Polished Nickel	<b>SB</b> Satin Brass	<b>GP</b> Gold Plate	<b>ES</b> English Silver	<b>BE</b> Black Eclipse	<b>SP</b> Satin Platinum
<b>CP</b> Polished Chrome	<b>OB</b> Oil Rubbed Brass	<b>AL</b> Almond Gold	<b>BS</b> Butler Silver	<b>BG</b> Burnished Gold	<b>HP</b> High Polished Platinum
<b>BN</b> Brushed Nickel	<b>PB</b> Polished Brass	<b>RG</b> Rose Gold	<b>AP</b> Antique Pewter	<b>AG</b> Antique Gold	<b>BP</b> Burnished Platinum
<b>BC</b> Brushed Chrome					



The measurements shown are for reference only. Products and specifications shown are subject to change without notice.

REV A