



LEVER & KNOB LOCKSET

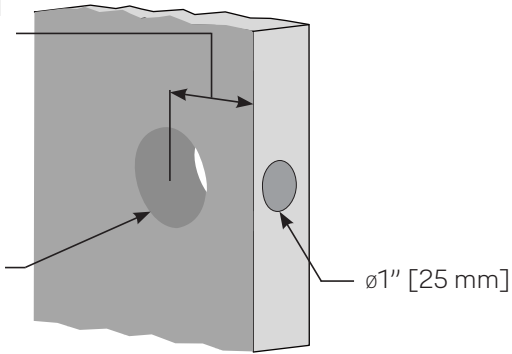
EXPRESSIONS™
SERIES

Installation Instructions
Instructivos de Instalación

1. Door Prep • Prepare la Puerta

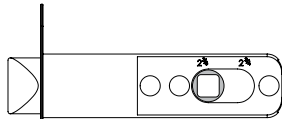
2-3/8" [60 mm]
or
2-3/4" [70 mm]

ø2-1/8" [54 mm]
Through Hole
Agujero Pasante

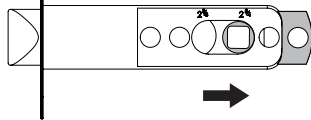


2. Select Proper Backset • Seleccione distancia apropiada

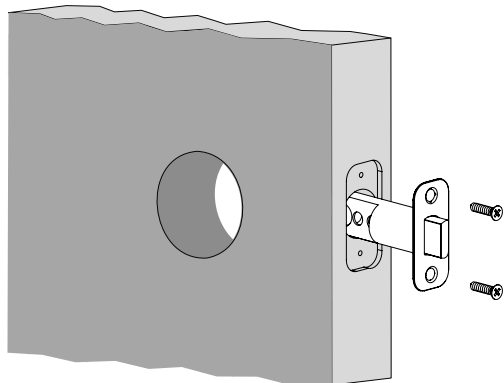
2-3/8" [60 mm]



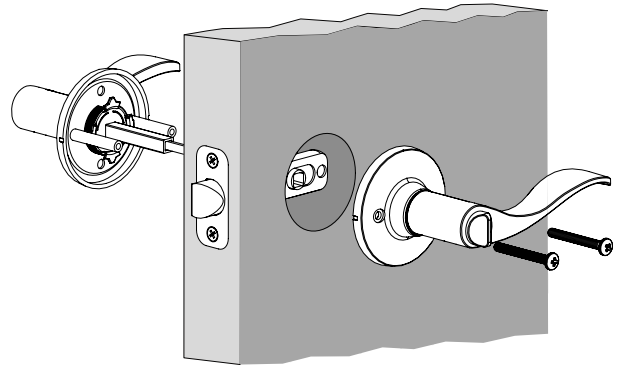
2-3/4" [70 mm]



3. Install Latch • Instale el pestillo



4. Install Levers or Knobs • Instale las Manijas o la Perilla



5. Install Strike and Dust Box • Instale de la placa hembra y caja antipolvo

