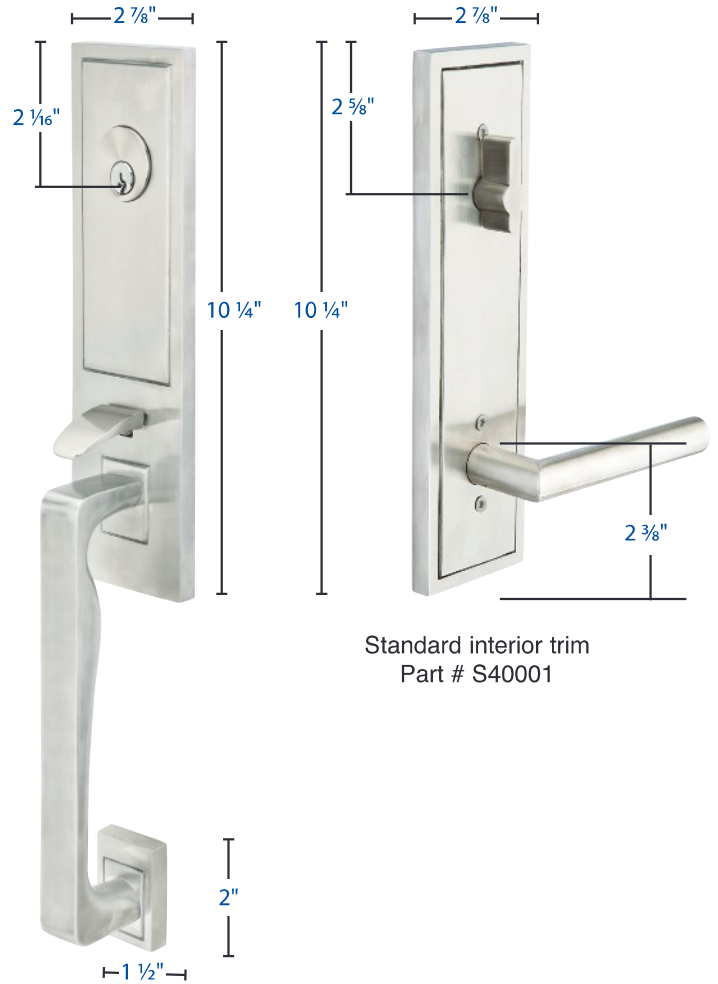


Standard interior trim  
Part # S40101

STAINLESS STEEL  
Davos Style  
Part # S40101



Standard interior trim  
Part # S40001

STAINLESS STEEL  
Zeus Style  
Part # S40001

**DISCONTINUED WITH INVENTORY**

**Additional Dimensions: (Part # S40101)**

- Exterior Projection is 2 3/4"
- Interior Projection Depends on Handle Style
- Overall Grip thickness: 1"
- Clearance between door & grip is 1" - 1 3/4"
- Plates thickness: 1/2"

***Same Dimensions for Dummy Function***

**Additional Dimensions: (Part # S40001)**

- Exterior Projection is 2 1/2"
- Interior Projection Depends on Handle Style
- Overall Grip thickness: 1 1/16"
- Clearance between door & grip is 1" - 1 3/8"
- Plates thickness: 7/16"

***Same Dimensions for  
Double Cylinder & Dummy Function***

## Stainless Steel Tubular Entryset Monolithic, Single Cylinder

STAINLESS STEEL Davos (S40101), STAINLESS STEEL Zeus (S40001)

- Standard Door Thickness: 1<sup>3</sup>/<sub>4</sub>"- 2<sup>1</sup>/<sub>8</sub>"

Standard Components:

- 1<sup>1</sup>/<sub>2</sub>" Rosette Screws
- Single Cylinder Tailpiece
- Outside Entry Spindle
- Inside Passage Half Spindle
- 2<sup>1</sup>/<sub>4</sub>" Deadbolt Mounting Screws
- Full-Lip Strike Plate
- Deadbolt Strike Plate

- **Extended** Door Thickness: 2<sup>1</sup>/<sub>4</sub>"- 2<sup>1</sup>/<sub>2</sub>"

Extended Components:

- 2" Rosette Screws
- Long Single Cylinder Tailpiece
- Long Outside Entry Spindle
- Long Inside Passage Half Spindle
- 3" Deadbolt Mounting Screws
- Spindle Extensions
- Extended Full-Lip Strike Plate
- Deadbolt Strike Plate

- **Extended** Door Thickness: 2<sup>1</sup>/<sub>2</sub>"- 3"

Extended Components:

- 2<sup>1</sup>/<sub>2</sub>" Rosette Screws
- Extra Long Single Cylinder Tailpiece
- Long Outside Entry Spindle
- Extra Long Inside Passage Half Spindle
- 3" Deadbolt Mounting Screws
- Spindle Extensions
- Extended Full-Lip Strike Plate
- Deadbolt Strike Plate

## Stainless Steel Entryset Monolithic, Double Cylinder

STAINLESS STEEL Zeus (S40002)

- Standard Door Thickness: 1<sup>3</sup>/<sub>4</sub>"- 2"

Standard Components:

- 1<sup>1</sup>/<sub>2</sub>" Rosette Screws
- Double Cylinder Tailpiece
- Outside Entry Spindle
- Inside Passage Half Spindle
- 2<sup>1</sup>/<sub>4</sub>" Deadbolt Mounting Screws
- Full-Lip Strike Plate
- Deadbolt Strike Plate

- **Extended** Door Thickness: 2"- 2<sup>5</sup>/<sub>8</sub>"

Extended Components:

- 2" Rosette Screws
- Long Double Cylinder Tailpiece
- Long Outside Entry Spindle
- Long Inside Passage Half Spindle
- 3" Deadbolt Mounting Screws
- Spindle Extensions
- Extended Full-Lip Strike Plate
- Deadbolt Strike Plate

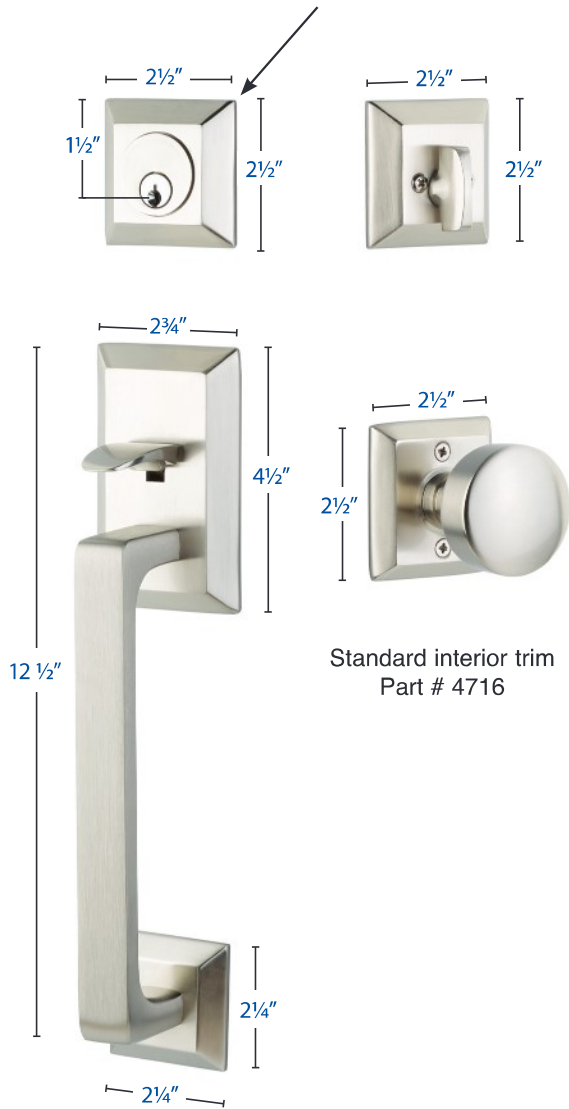
- **Extended** Door Thickness: 2<sup>5</sup>/<sub>8</sub>"- 2<sup>7</sup>/<sub>8</sub>"

Extended Components:

- 2<sup>1</sup>/<sub>2</sub>" Rosette Screws
- Long Double Cylinder Tailpiece
- Long Outside Entry Spindle
- Extra Long Inside Passage Half Spindle
- 3<sup>1</sup>/<sub>2</sub>" Deadbolt Mounting Screws
- Spindle Extensions
- Extended Full-Lip Strike Plate
- Deadbolt Strike Plate

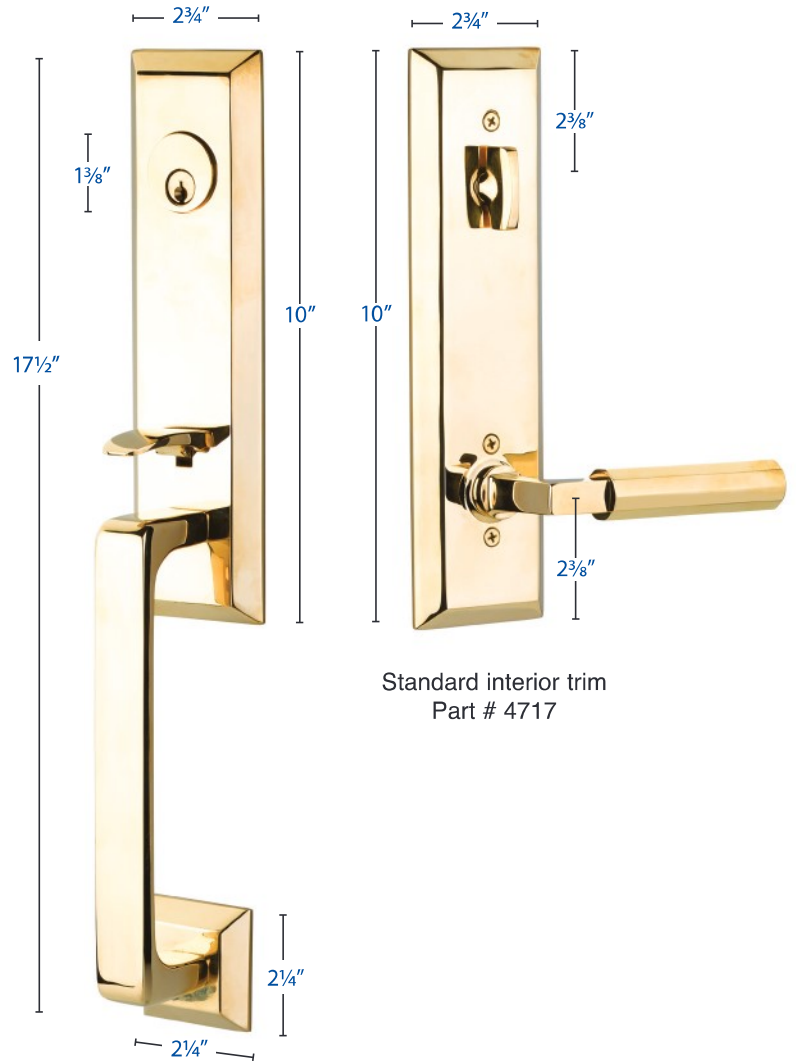
\* Part # DB4-COLLAR32 Available for 1<sup>3</sup>/<sub>8</sub>" Thick Doors

Deadbolt Plate Thickness: 5/16"



Standard interior trim  
Part # 4716

Transitional Heritage  
Sectional  
Part # 4716



Standard interior trim  
Part # 4717

Transitional Heritage  
Monolithic  
Part # 4717

**Additional Dimensions: (Part # 4716)**

- Exterior Projection is 2 11/16"
- Interior Projection Depends on Handle Style
- Interior Deadbolt Projection 1 1/4"
- Overall Grip thickness: 1 5/16"
- Clearance between door & grip is 1 5/16"
- Plates thickness: 1/2"

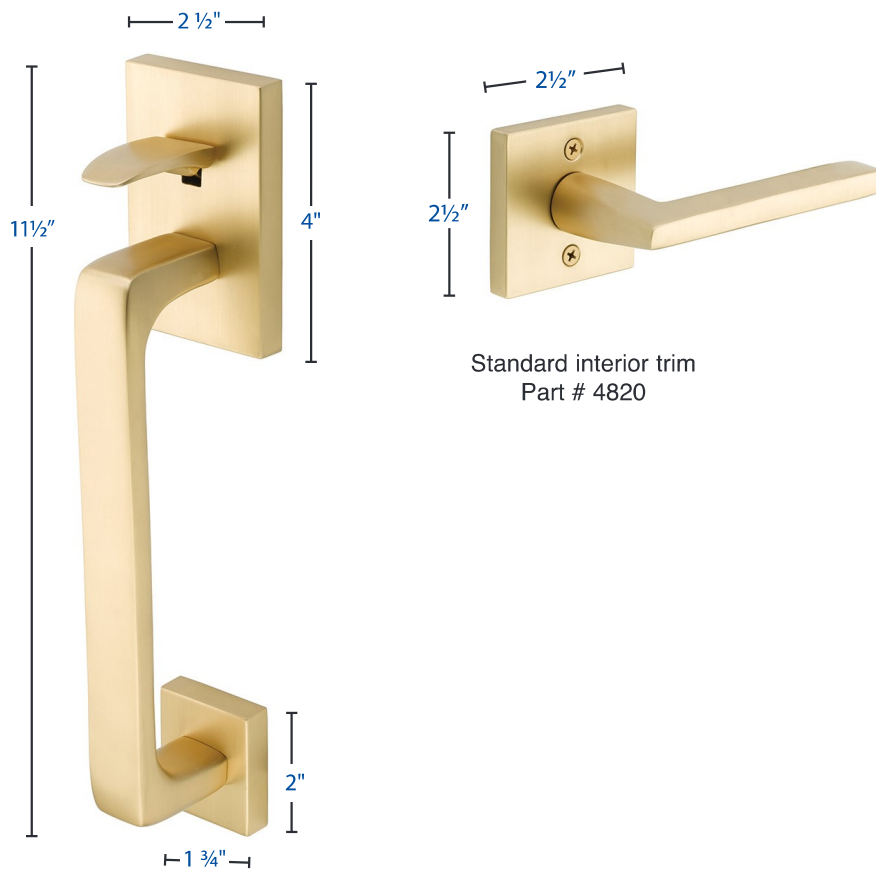
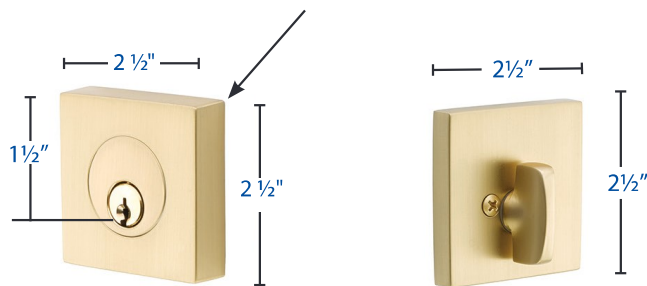
*Same Dimensions for  
Double Cylinder & Dummy Function*

**Additional Dimensions: (Part # 4717)**

- Exterior Projection is 2 11/16"
- Interior Projection Depends on Handle Style
- Overall Grip thickness: 1 5/16"
- Clearance between door & grip is 1 5/16"
- Plates thickness: 1/2"

*Same Dimensions for  
Double Cylinder & Dummy Function*

Deadbolt Plate Thickness: 5/8"



Standard interior trim  
Part # 4820

Baden Style  
Part # 4820

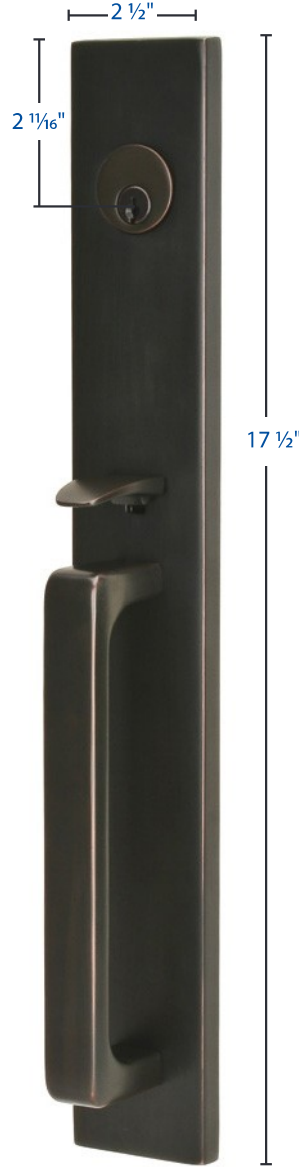
**Additional Dimensions: (Part # 4820)**

- Exterior Projection is 2 1/2"
- Interior Projection Depends on Handle Style
- Overall Grip thickness: 1"
- Clearance between door & grip is 1 7/8"
- Plates thickness: 1/2"

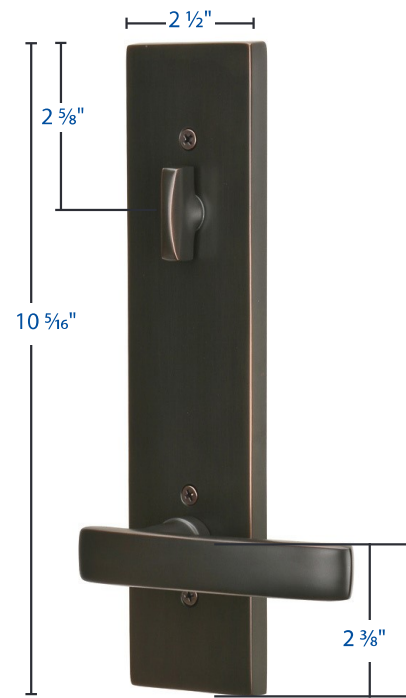
*Same Dimensions for  
Double Cylinder & Dummy Function*



Davos Style  
Part # 4818



Lausanne Style  
Part # 4819



Standard interior trim  
Part # 4818 & 4819

**Additional Dimensions: (Part # 4818)**

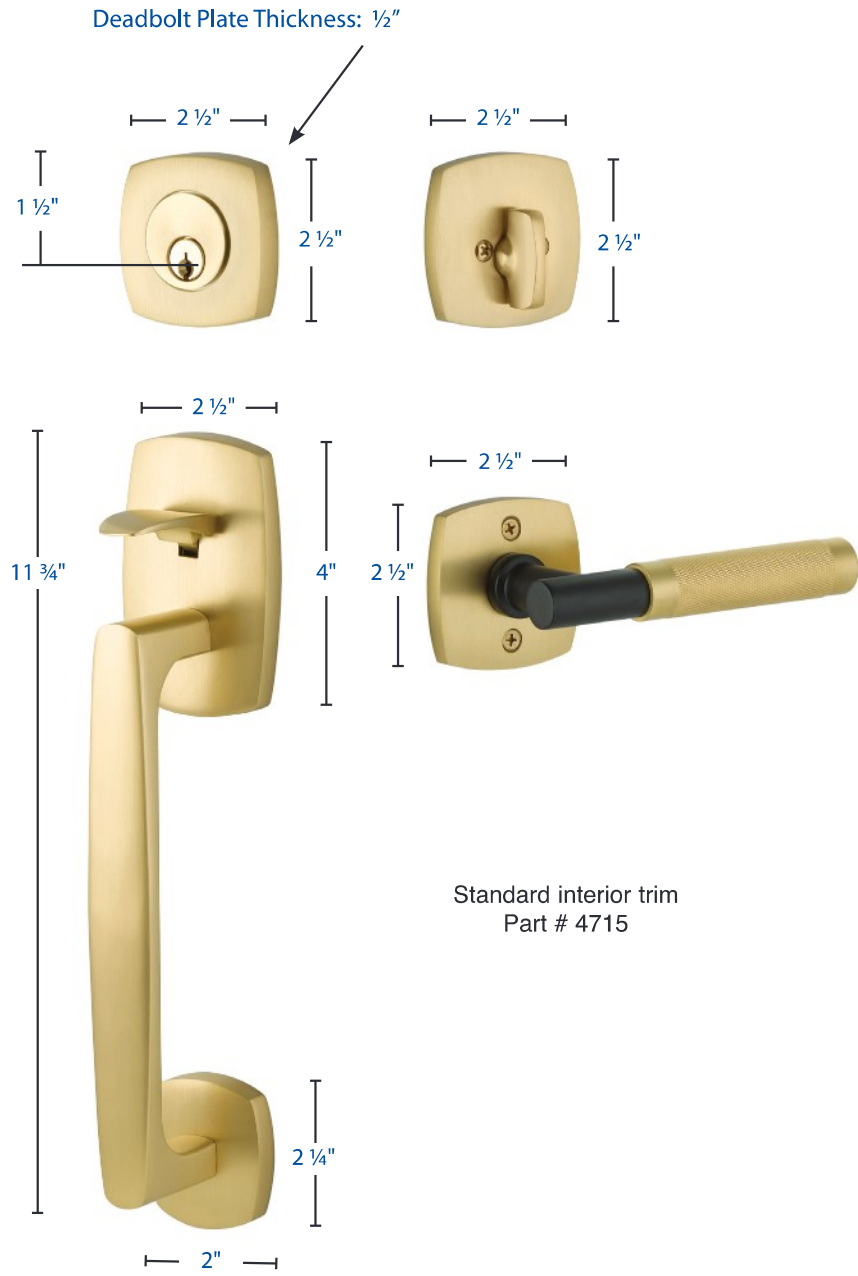
- Exterior Projection is 2 3/4"
- Interior Projection Depends on Handle Style
- Overall Grip thickness: 1"
- Clearance between door & grip is 1" - 1 3/4"
- Plates thickness: 1/2"

*Same Dimensions for  
Double Cylinder & Dummy Function*

**Additional Dimensions: (Part # 4819)**

- Exterior Projection is 2 3/4"
- Interior Projection Depends on Handle Style
- Overall Grip thickness: 1"
- Clearance between door & grip is 1 7/16"
- Plates thickness: 1/2"

*Same Dimensions for  
Double Cylinder & Dummy Function*



Standard interior trim  
Part # 4715

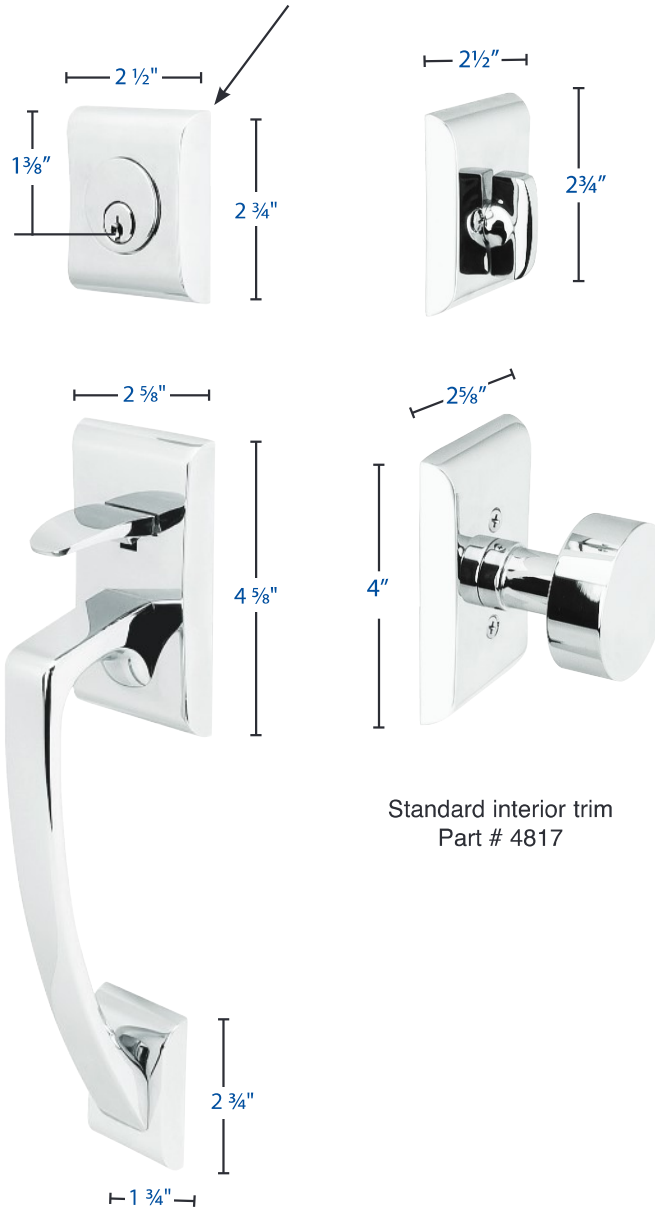
Urban Modern Sectional Style  
Part # 4715

**Additional Dimensions: (Part # 4715)**

- Exterior Projection is 2 3/4"
- Interior Projection Depends on Handle Style
- Overall Grip thickness: 1 1/16"
- Clearance between door & grip is 1" - 1 3/8"
- Plates thickness: 1/2"

**Same Dimensions for  
Double Cylinder & Dummy Function**

Deadbolt Plate Thickness: 5/8"



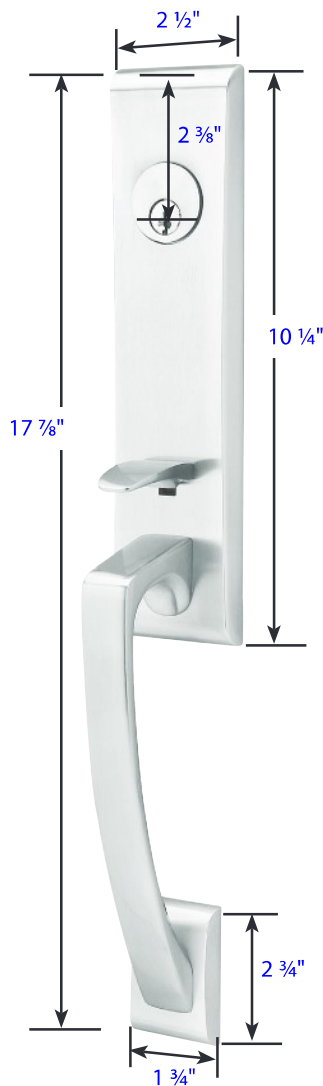
Ares Style  
Part # 4817

Standard interior trim  
Part # 4817

**Additional Dimensions: (Part # 4817)**

- Exterior Projection is 2 3/4"
- Interior Projection Depends on Handle Style
- Overall Grip thickness: 1 1/16"
- Clearance between door & grip is 1" - 1 3/8"
- Plates thickness: 7/16"

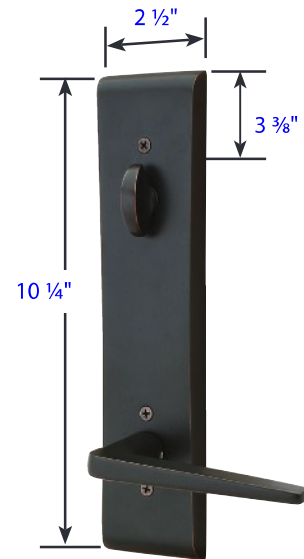
**Same Dimensions for  
Double Cylinder & Dummy Function**



Apollo Style  
Part # 4815



Orion Style  
Part # 4816



Standard interior trim  
Part # 4815 & 4816

**Additional Dimensions: (Part # 4815)**

- Exterior Projection is 2 3/4"
- Interior Projection Depends on Handle Style
- Overall Grip thickness: 1"
- Clearance between door & grip is 2 1/4"
- Plates thickness: 1/2"

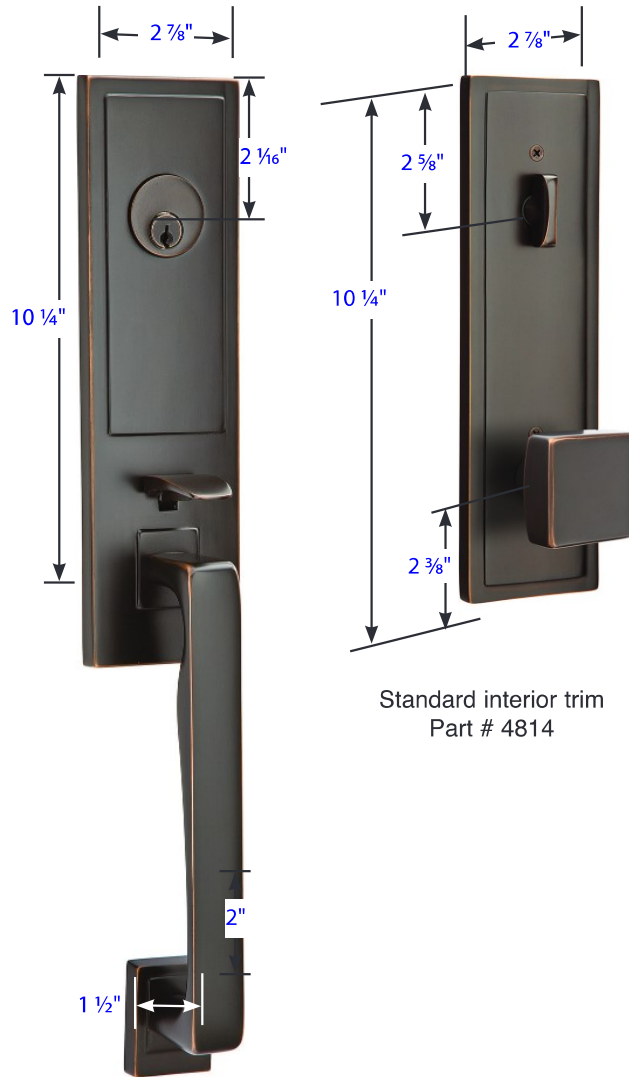
*Same Dimensions for  
Double Cylinder & Dummy Function*

**Additional Dimensions: (Part # 4816)**

- Exterior Projection is 2 3/4"
- Interior Projection Depends on Handle Style
- Overall Grip thickness: 1"
- Clearance between door & grip is 1" - 1 3/4"
- Plates thickness: 1/2"

*Same Dimensions for  
Double Cylinder & Dummy Function*





Standard interior trim  
Part # 4814

Zeus Style  
Part # 4814

**DISCONTINUED WITH INVENTORY**

**Additional Dimensions: (Part # 4814)**

- Exterior Projection is 2 1/2"
- Interior Projection Depends on Handle Style
- Overall Grip thickness: 1 1/16"
- Clearance between door & grip is 1" - 1 3/8"
- Plates thickness: 7/16"

***Same Dimensions for  
Double Cylinder & Dummy Function***

## Brass Tubular Entryset Sectional, Single Cylinder

Urban Modern Sectional (4715), Transitional Heritage (4716), Baden (4820), Ares (4817)

- Standard Door Thickness: 1-3/4"- 2-1/8"

Standard Components:

- 1-1/2" Rosette Screws
- Single Cylinder Tailpiece
- Outside Entry Spindle
- Inside Passage Half Spindle
- 2-1/4" Deadbolt Mounting Screws
- Full-Lip Strike Plate
- Deadbolt Strike Plate

- **Extended** Door Thickness: 2-1/4"- 2-5/8"
- **Extended** Door Thickness: 2-5/8"- 3"

Extended Components:

- 2" Rosette Screws
- Long Single Cylinder Tailpiece
- Long Outside Entry Spindle
- Long Inside Passage Half Spindle
- 3" Deadbolt Mounting Screws
- Spindle Extensions
- Extended Full-Lip Strike Plate
- Deadbolt Strike Plate

Extended Components:

- 2-1/2" Rosette Screws
- Extra Long Single Cylinder Tailpiece
- Long Outside Entry Spindle
- Extra Long Inside Passage Half Spindle
- 3-1/2" Deadbolt Mounting Screws
- Spindle Extensions
- Extended Full-Lip Strike Plate
- Deadbolt Strike Plate

## Brass Tubular Entryset Sectional, Double Cylinder

Urban Modern Sectional (4715), Transitional Heritage (4726), Baden (4830), Ares (4827),

- Standard Door Thickness: 1-5/8"- 2-1/8"

Standard Components:

- 1-1/2" Rosette Screws
- Double Cylinder Tailpiece
- Outside Entry Spindle
- Inside Passage Half Spindle
- 2-1/4" & 2-1/2" Deadbolt Mounting Screws
- Full-Lip Strike Plate
- Deadbolt Strike Plate

- **Extended** Door Thickness: 2-1/4"- 2-5/8"
- **Extended** Door Thickness: 2-5/8"- 2-7/8"

Extended Components:

- 2" Rosette Screws
- Long Double Cylinder Tailpiece
- Long Outside Entry Spindle
- Long Inside Passage Half Spindle
- 3" Deadbolt Mounting Screws
- Spindle Extensions
- Extended Full-Lip Strike Plate
- Deadbolt Strike Plate

Extended Components:

- 2-1/2" Rosette Screws
- Extra Long Double Cylinder Tailpiece
- Long Outside Entry Spindle
- Extra Long Inside Passage Half Spindle
- 3-1/2" Deadbolt Mounting Screws
- Spindle Extensions
- Extended Full-Lip Strike Plate
- Deadbolt Strike Plate

## Brass Tubular Entryset Monolithic & Full Length, Single Cylinder

Transitional Heritage (4717), Davos (4818), Lausanne (4819), Apollo (4815), Orion (4816), Zeus (4814)

- Standard Door Thickness: 1<sup>3</sup>/<sub>4</sub>"- 2<sup>1</sup>/<sub>8</sub>"

Standard Components:

- 1<sup>1</sup>/<sub>2</sub>" Rosette Screws
- Single Cylinder Tailpiece
- Outside Entry Spindle
- Inside Passage Half Spindle
- 2<sup>1</sup>/<sub>4</sub>" Deadbolt Mounting Screws
- Full-Lip Strike Plate
- Deadbolt Strike Plate

- **Extended** Door Thickness: 2<sup>1</sup>/<sub>4</sub>"- 2<sup>1</sup>/<sub>2</sub>"
- **Extended** Door Thickness: 2<sup>1</sup>/<sub>2</sub>"- 3"

Extended Components:

- 2" Rosette Screws
- Long Single Cylinder Tailpiece
- Long Outside Entry Spindle
- Long Inside Passage Half Spindle
- 3" Deadbolt Mounting Screws
- Spindle Extensions
- Extended Full-Lip Strike Plate
- Deadbolt Strike Plate

Extended Components:

- 2<sup>1</sup>/<sub>2</sub>" Rosette Screws
- Extra Long Single Cylinder Tailpiece
- Long Outside Entry Spindle
- Extra Long Inside Passage Half Spindle
- 3" Deadbolt Mounting Screws
- Spindle Extensions
- Extended Full-Lip Strike Plate
- Deadbolt Strike Plate

## Brass Tubular Entryset Monolithic & Full Length, Double Cylinder

Transitional Heritage (4727), Davos (4828), Lausanne (4829), Apollo (4825), Orion (4826), Zeus (4824)

- Standard Door Thickness: 1<sup>3</sup>/<sub>4</sub>"- 2"

Standard Components:

- 1<sup>1</sup>/<sub>2</sub>" Rosette Screws
- Double Cylinder Tailpiece
- Outside Entry Spindle
- Inside Passage Half Spindle
- 2<sup>1</sup>/<sub>4</sub>" Deadbolt Mounting Screws
- Full-Lip Strike Plate
- Deadbolt Strike Plate

- **Extended** Door Thickness: 2"- 2<sup>5</sup>/<sub>8</sub>"

Extended Components:

- 2" Rosette Screws
- Long Double Cylinder Tailpiece
- Long Outside Entry Spindle
- Long Inside Passage Half Spindle
- 3" Deadbolt Mounting Screws
- Spindle Extensions
- Extended Full-Lip Strike Plate
- Deadbolt Strike Plate

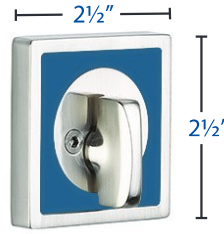
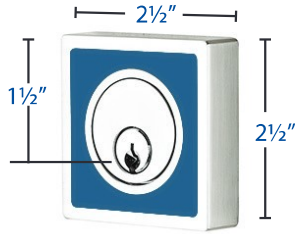
- **Extended** Door Thickness: 2<sup>5</sup>/<sub>8</sub>"- 2<sup>7</sup>/<sub>8</sub>"

Extended Components:

- 2<sup>1</sup>/<sub>2</sub>" Rosette Screws
- Long Double Cylinder Tailpiece
- Long Outside Entry Spindle
- Extra Long Inside Passage Half Spindle
- 3<sup>1</sup>/<sub>2</sub>" Deadbolt Mounting Screws
- Spindle Extensions
- Extended Full-Lip Strike Plate
- Deadbolt Strike Plate

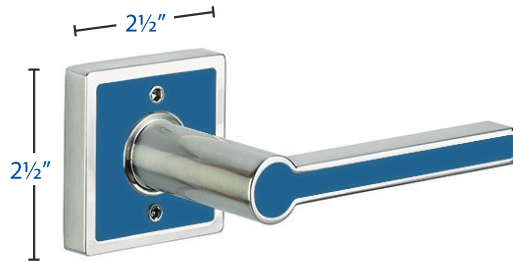
\* Part # DB4-COLLAR32 Available for 1<sup>3</sup>/<sub>8</sub>" Thick Doors

Deadbolt Plate Thickness: 5/8"



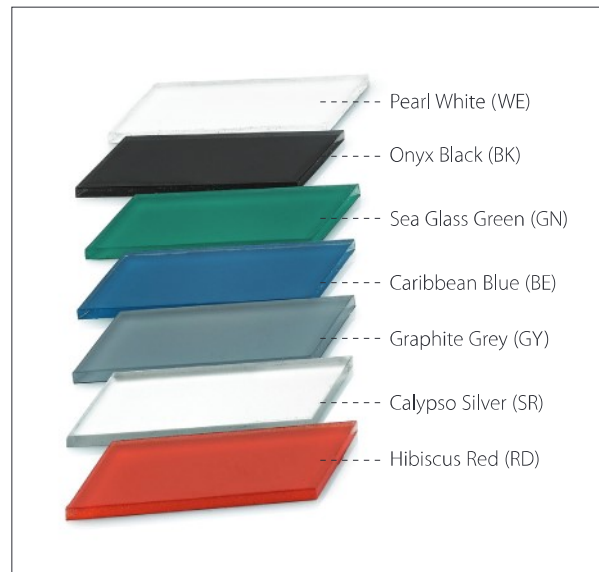
CONTEMPORARY  
COLOR COLLECTION  
Martinique Style  
Part # L4820

**DISCONTINUED WITH INVENTORY**



Standard interior trim  
Part # L4820

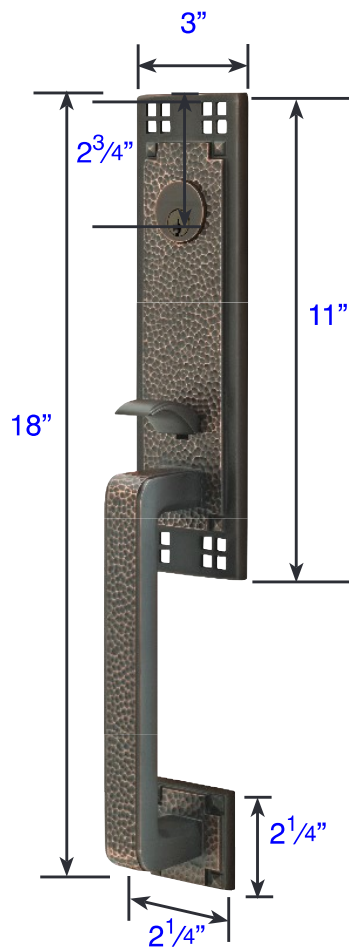
**Color Insert Options**



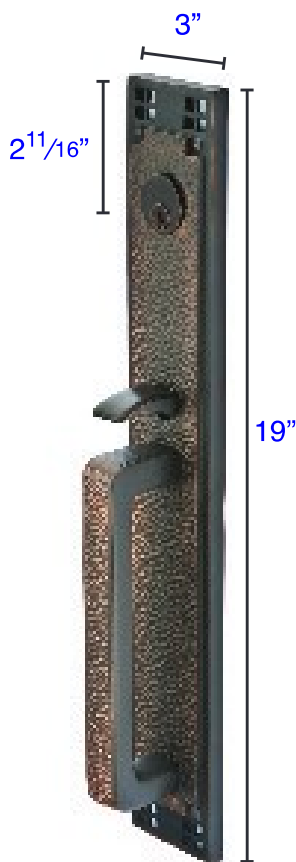
**Additional Dimensions: (Part # L4820)**

- Exterior Projection is 2 1/2"
- Interior Projection Depends on Handle Style
- Overall Grip thickness: 1"
- Clearance between door & grip is 1 7/8"
- Plates thickness: 1/2"

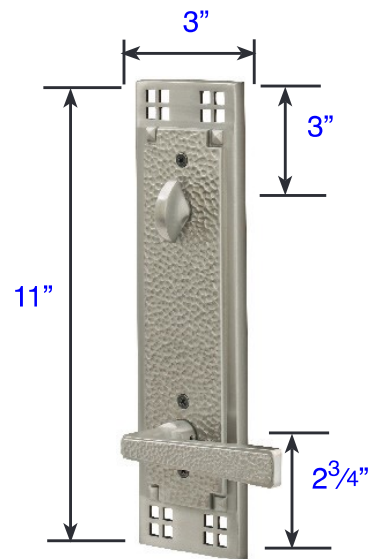
**Same Dimensions for  
Double Cylinder & Dummy Function**



Arts & Crafts Style  
Part # 4811



Arts & Crafts Full Length Style  
Part # 4812

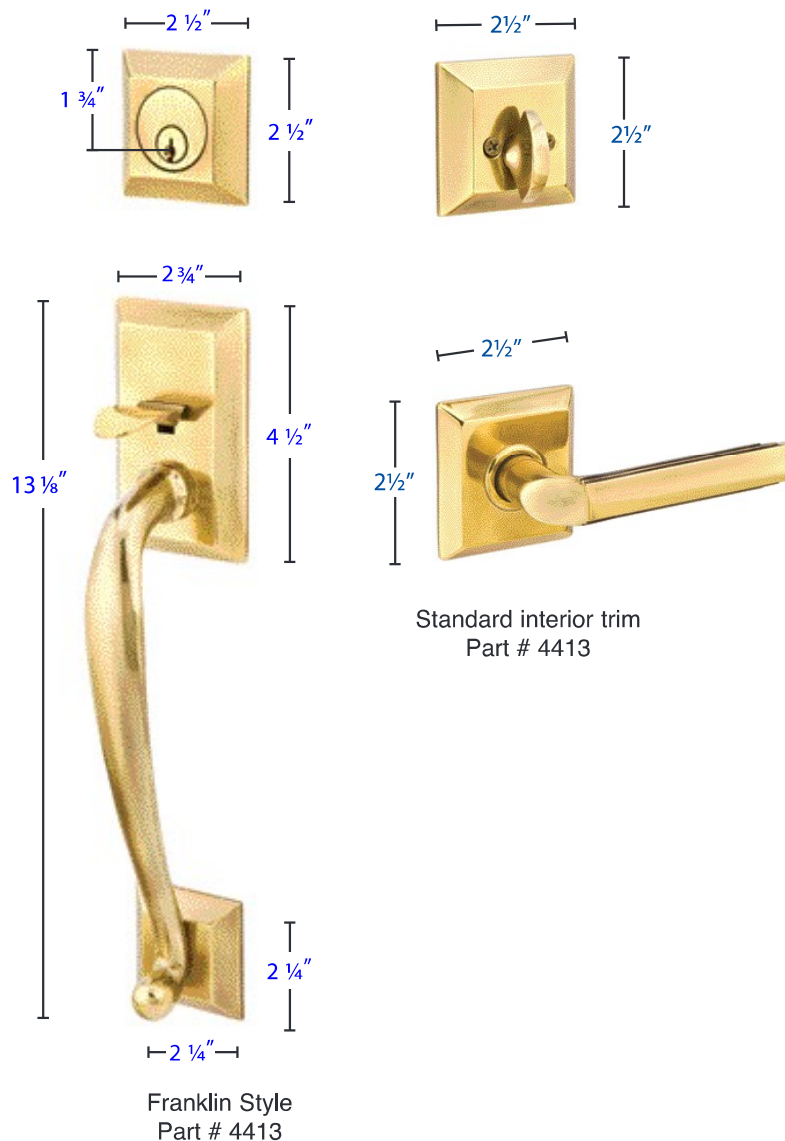


Standard interior trim  
Part # 4811 & 4812

**Additional Dimensions: (Part # 4811 & 4812)**

- Exterior Projection is  $2\frac{5}{8}$ "
- Interior Projection Depends on Handle Style
- Overall Grip thickness:  $1\frac{1}{4}$ "
- Clearance between door & grip is  $1\frac{1}{2}$ "
- Plates thickness:  $\frac{1}{2}$ "

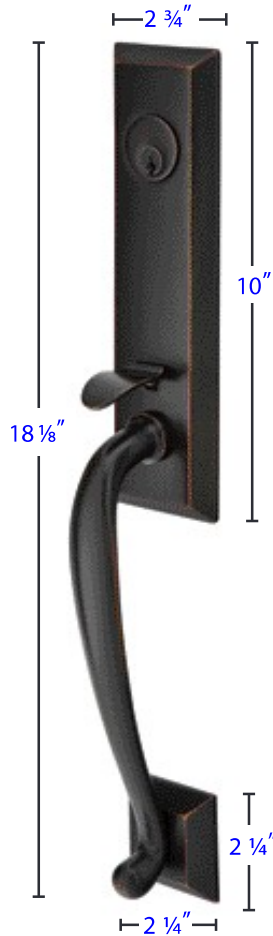
**Same Dimensions for  
Double Cylinder & Dummy Function**



**Additional Dimensions: (Part # 4413)**

- Exterior Projection is 2<sup>11</sup>/<sub>16</sub>"
- Interior Projection Depends on Handle Style
- Overall Grip thickness: 1<sup>5</sup>/<sub>16</sub>"
- Clearance between door & grip is 1<sup>9</sup>/<sub>16</sub>"
- Plates thickness: 1/2"

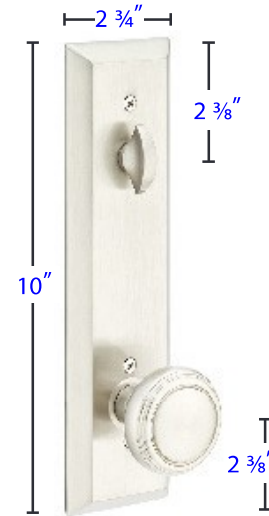
*Same Dimensions for  
Double Cylinder & Dummy Function*



Adams Style  
Part # 4414



Jefferson Trim Style  
Part # 4415



Standard interior trim  
Part # 4414 & 4415

**Additional Dimensions: (Part # 4414)**

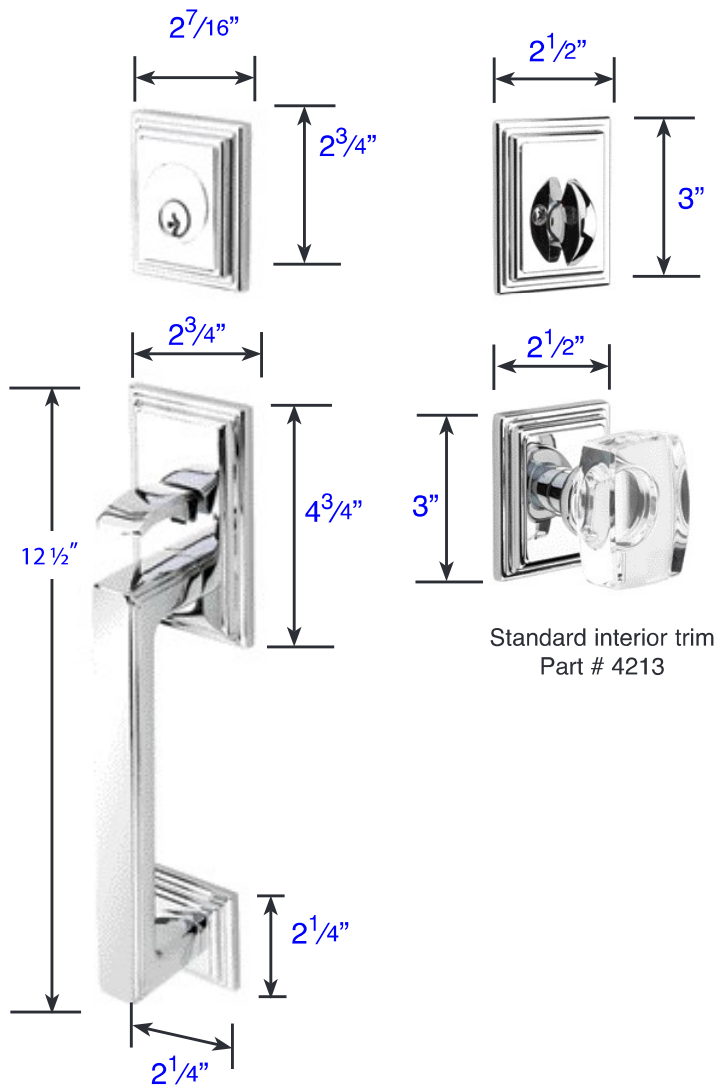
- Exterior Projection is 2<sup>11/16</sup>"
- Interior Projection Depends on Handle Style
- Overall Grip thickness: 1<sup>5/16</sup>"
- Clearance between door & grip is 1<sup>9/16</sup>"
- Plates thickness: 1/2"

*Same Dimensions for  
Double Cylinder & Dummy Function*

**Additional Dimensions: (Part # 4415)**

- Exterior Projection is 2<sup>3/4</sup>"
- Interior Projection Depends on Handle Style
- Overall Grip thickness: 1 1/4"
- Clearance between door & grip is 2"
- Plates thickness: 1/2"

*Same Dimensions for  
Double Cylinder & Dummy Function*



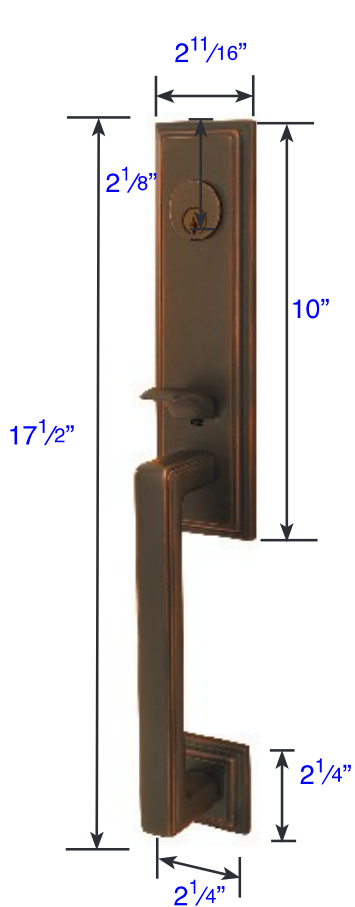
Standard interior trim  
Part # 4213

Hamden Style  
Part # 4213

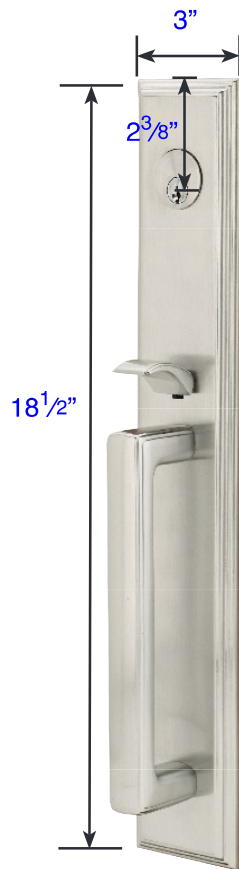
**Additional Dimensions: (Part # 4213)**

- Exterior Projection is 2<sup>5</sup>/<sub>8</sub>"
- Interior Projection Depends on Handle Style
- Overall Grip thickness: 1"
- Clearance between door & grip is 1<sup>3</sup>/<sub>8</sub>"
- Plates thickness: 1/2"

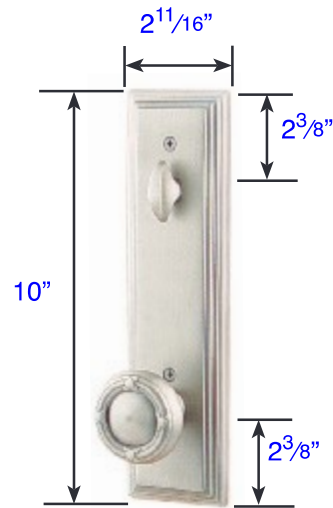
*Same Dimensions for  
Double Cylinder & Dummy Function*



Wilshire Style  
 Part # 4211



Melrose Style  
 Part # 4212



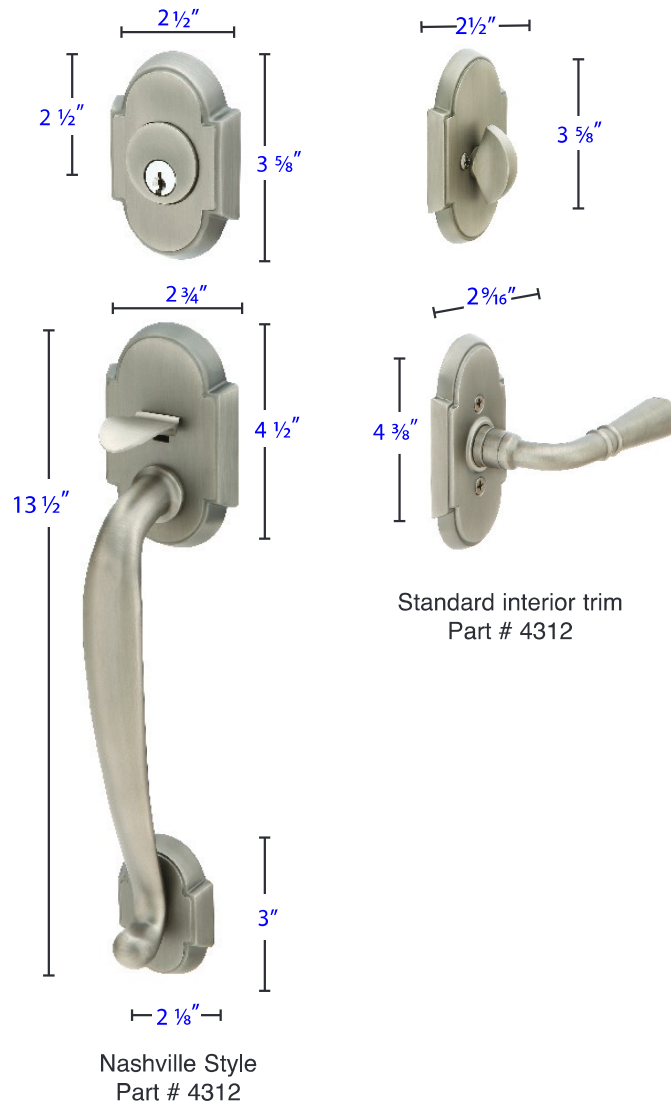
Standard interior trim  
 Part # 4211 & 4212

**Additional Dimensions: (Part # 4211 & 4212)**

- Exterior Projection is 2<sup>5</sup>/<sub>8</sub>"
- Interior Projection Depends on Handle Style
- Overall Grip thickness: 1"
- Clearance between door & grip is 1<sup>3</sup>/<sub>8</sub>"
- Plates thickness: 1/2"

*Same Dimensions for  
 Double Cylinder & Dummy Function*

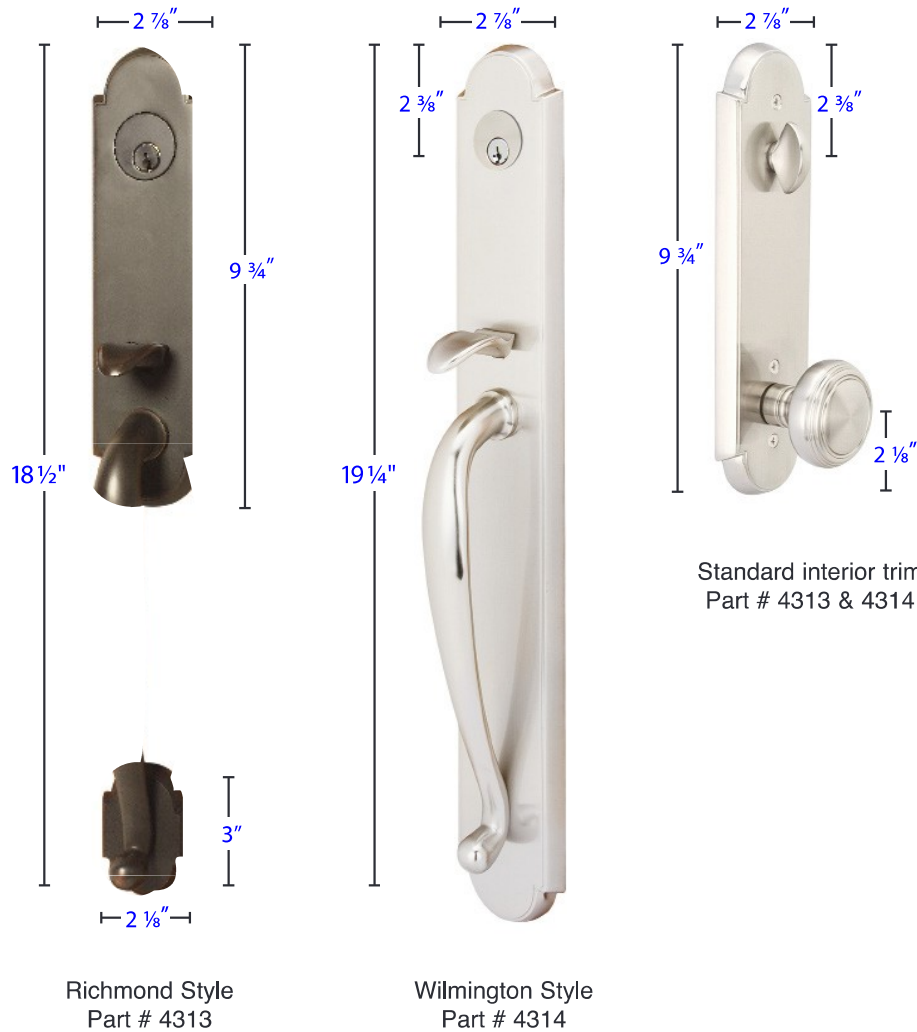




**Additional Dimensions: (Part # 4312)**

- Exterior Projection is 2<sup>11</sup>/<sub>16</sub>"
- Interior Projection Depends on Handle Style
- Overall Grip thickness: 1<sup>1</sup>/<sub>4</sub>"
- Clearance between door & grip is 1<sup>15</sup>/<sub>16</sub>"
- Plates thickness: 1/2"

*Same Dimensions for  
Double Cylinder & Dummy Function*



**Additional Dimensions: (Part # 4313)**

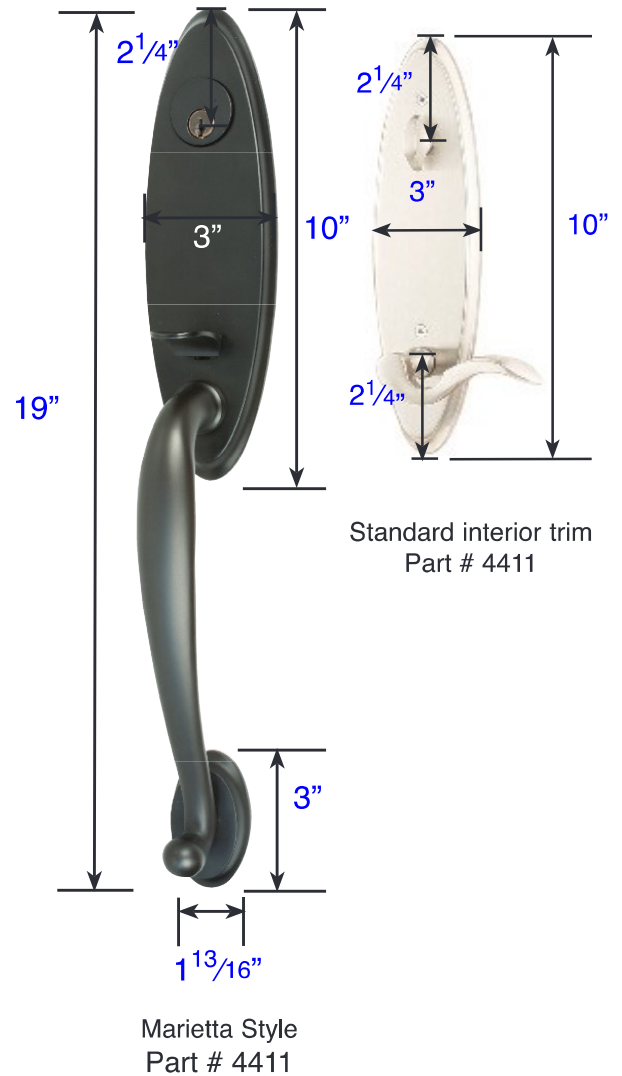
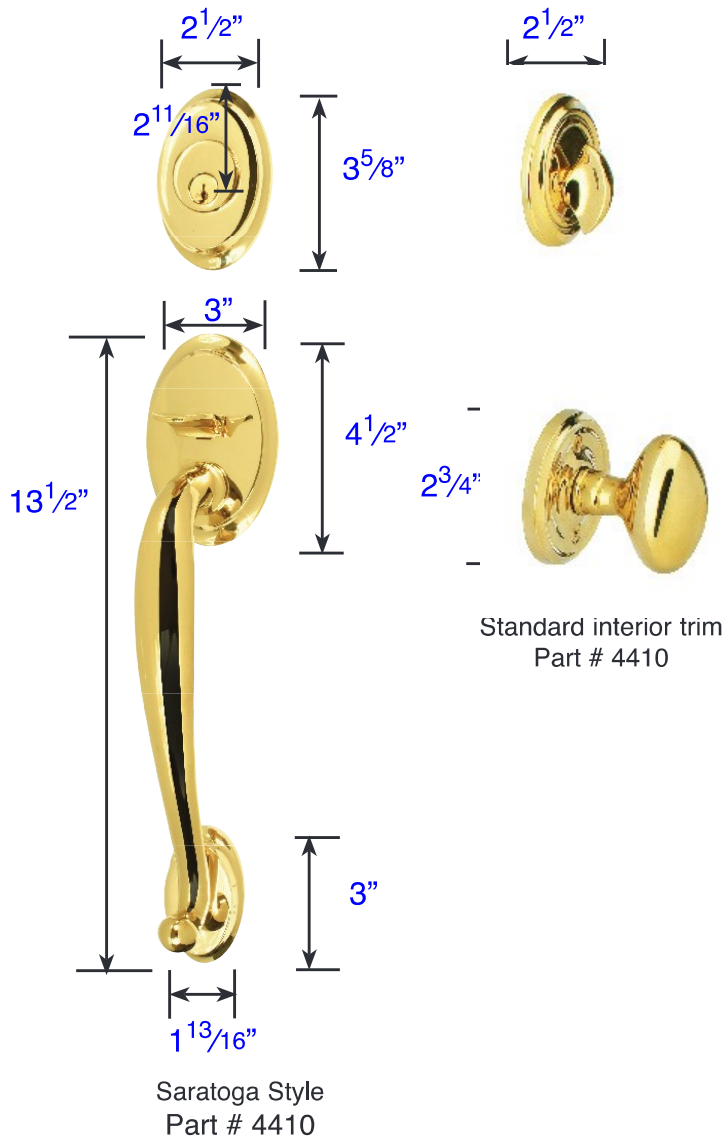
- Exterior Projection is  $2\frac{11}{16}$ "
- Interior Projection Depends on Handle Style
- Overall Grip thickness:  $1\frac{1}{4}$ "
- Clearance between door & grip is 2"
- Plates thickness:  $\frac{1}{2}$ "

*Same Dimensions for  
Double Cylinder & Dummy Function*

**Additional Dimensions: (Part # 4314)**

- Exterior Projection is  $2\frac{3}{4}$ "
- Interior Projection Depends on Handle Style
- Overall Grip thickness: 1"
- Clearance between door & grip is  $1\frac{7}{16}$ "
- Plates thickness:  $\frac{1}{2}$ "

*Same Dimensions for  
Double Cylinder & Dummy Function*



**Additional Dimensions: (Part # 4410)**

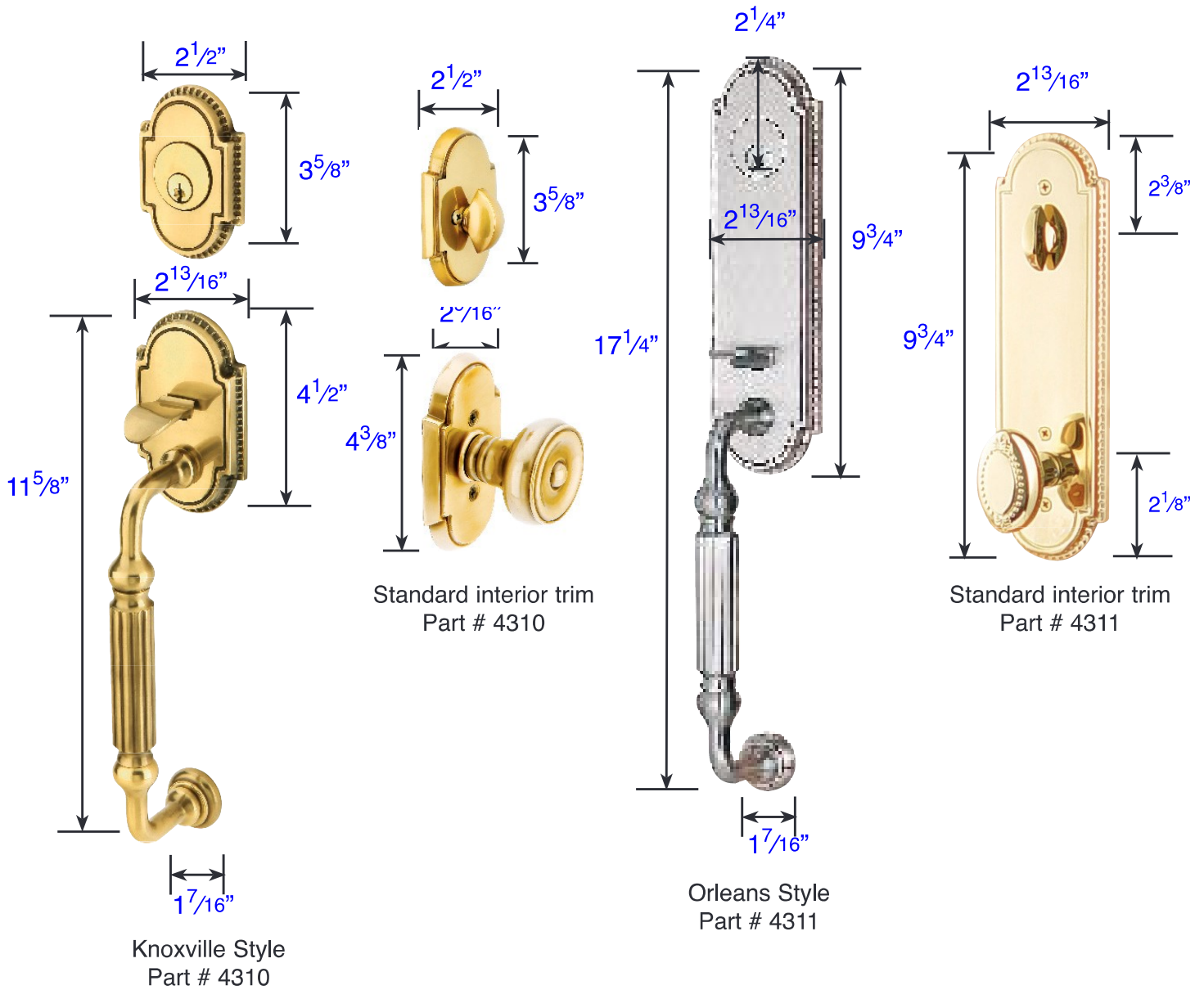
- Exterior Projection is 2 11/16"
- Interior Projection Depends on Handle Style
- Overall Grip thickness: 1 1/4"
- Clearance between door & grip is 1 5/16"
- Plates thickness: 7/16"

**Same Dimensions for  
Double Cylinder & Dummy Function**

**Additional Dimensions: (Part # 4411)**

- Exterior Projection is 2 3/4"
- Interior Projection Depends on Handle Style
- Overall Grip thickness: 1 3/4"
- Clearance between door & grip is 2"
- Plates thickness: 1/2"

**Same Dimensions for  
Double Cylinder & Dummy Function**



Knoxville Style  
Part # 4310

Orleans Style  
Part # 4311

**Additional Dimensions: (Part # 4310)**

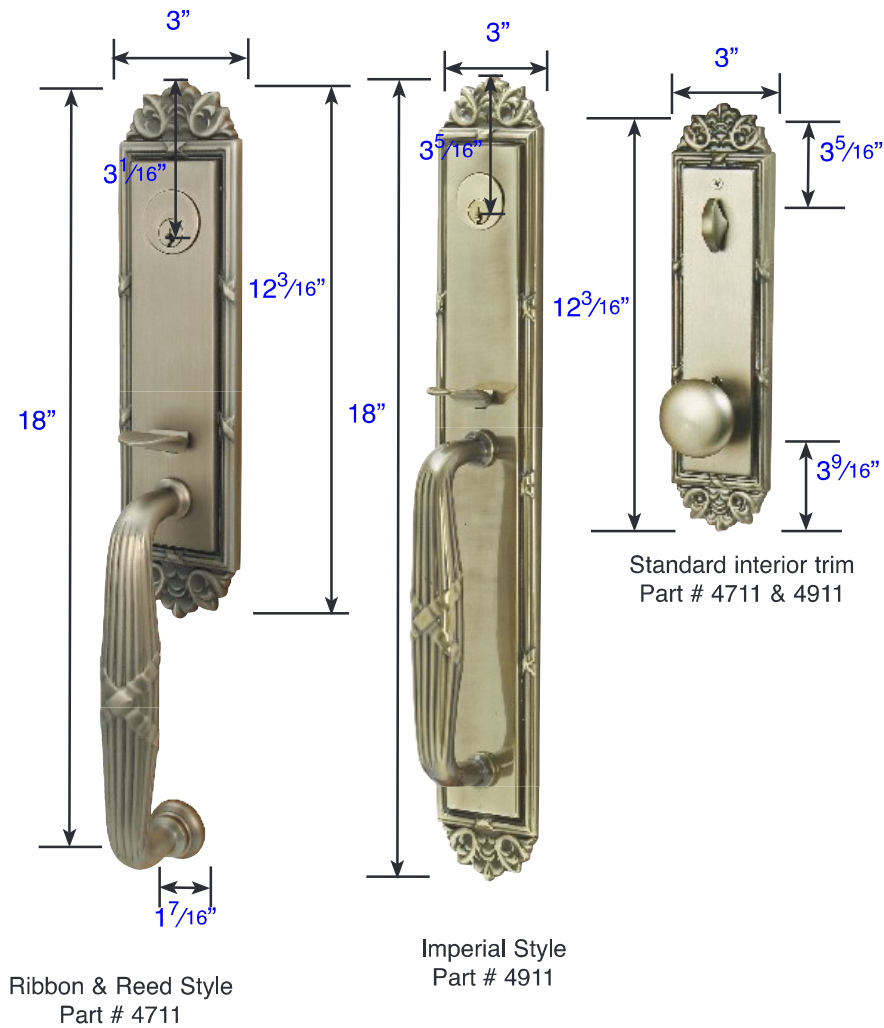
- Exterior Projection is 3"
- Interior Projection Depends on Handle Style
- Overall Grip thickness: 1"
- Clearance between door & grip is 1 1/2"
- Plates thickness: 1/2"

*Same Dimensions for  
Double Cylinder & Dummy Function*

**Additional Dimensions: (Part # 4311)**

- Exterior Projection is 3"
- Interior Projection Depends on Handle Style
- Overall Grip thickness: 1"
- Clearance between door & grip is 1 1/2"
- Plates thickness: 1/2"

*Same Dimensions for  
Double Cylinder & Dummy Function*



**Additional Dimensions: (Part # 4711 & 4911)**

- Exterior Projection is 2<sup>11/16</sup>"
- Interior Projection Depends on Handle Style
- Overall Grip thickness: 1<sup>5/16</sup>"
- Clearance between door & grip is 1<sup>9/16</sup>"
- Plates thickness: 1/2"

***Same Dimensions for  
Double Cylinder & Dummy Function***

## Brass Tubular Entryset Sectional, Single Cylinder

Saratoga (4410), Knoxville (4310), Hamden (4213), Nashville (4312), Franklin (4413)

<ul style="list-style-type: none"> <li>• Standard Door Thickness: 1<sup>3</sup>/<sub>4</sub>" - 2<sup>1</sup>/<sub>8</sub>"</li> <li>Standard Components: <ul style="list-style-type: none"> <li>• 1<sup>1</sup>/<sub>2</sub>" Rosette Screws</li> <li>• Single Cylinder Tailpiece</li> <li>• Outside Entry Spindle</li> <li>• Inside Passage Half Spindle</li> <li>• 2<sup>1</sup>/<sub>4</sub>" Deadbolt Mounting Screws</li> <li>• Full-Lip Strike Plate</li> <li>• Deadbolt Strike Plate</li> </ul> </li> </ul>	<ul style="list-style-type: none"> <li>• <b>Extended</b> Door Thickness: 2<sup>1</sup>/<sub>4</sub>" - 2<sup>5</sup>/<sub>8</sub>"</li> <li>Extended Components: <ul style="list-style-type: none"> <li>• 2" Rosette Screws</li> <li>• Long Single Cylinder Tailpiece</li> <li>• Long Outside Entry Spindle</li> <li>• Long Inside Passage Half Spindle</li> <li>• 3" Deadbolt Mounting Screws</li> <li>• Spindle Extensions</li> <li>• Extended Full-Lip Strike Plate</li> <li>• Deadbolt Strike Plate</li> </ul> </li> </ul>	<ul style="list-style-type: none"> <li>• <b>Extended</b> Door Thickness: 2<sup>5</sup>/<sub>8</sub>" - 3"</li> <li>Extended Components: <ul style="list-style-type: none"> <li>• 2<sup>1</sup>/<sub>2</sub>" Rosette Screws</li> <li>• Extra Long Single Cylinder Tailpiece</li> <li>• Long Outside Entry Spindle</li> <li>• Extra Long Inside Passage Half Spindle</li> <li>• 3<sup>1</sup>/<sub>2</sub>" Deadbolt Mounting Screws</li> <li>• Spindle Extensions</li> <li>• Extended Full-Lip Strike Plate</li> <li>• Deadbolt Strike Plate</li> </ul> </li> </ul>
---	--	---

## Brass Tubular Entryset Sectional, Double Cylinder

Saratoga (4420), Knoxville (4320), Hamden (4223), Nashville (4322), Franklin (4423)

<ul style="list-style-type: none"> <li>• Standard Door Thickness: 1<sup>5</sup>/<sub>8</sub>" - 2<sup>1</sup>/<sub>8</sub>"</li> <li>Standard Components: <ul style="list-style-type: none"> <li>• 1<sup>1</sup>/<sub>2</sub>" Rosette Screws</li> <li>• Double Cylinder Tailpiece</li> <li>• Outside Entry Spindle</li> <li>• Inside Passage Half Spindle</li> <li>• 2<sup>1</sup>/<sub>4</sub>" &amp; 2<sup>1</sup>/<sub>2</sub>" Deadbolt Mounting Screws</li> <li>• Full-Lip Strike Plate</li> <li>• Deadbolt Strike Plate</li> </ul> </li> </ul>	<ul style="list-style-type: none"> <li>• <b>Extended</b> Door Thickness: 2<sup>1</sup>/<sub>4</sub>" - 2<sup>5</sup>/<sub>8</sub>"</li> <li>Extended Components: <ul style="list-style-type: none"> <li>• 2" Rosette Screws</li> <li>• Long Double Cylinder Tailpiece</li> <li>• Long Outside Entry Spindle</li> <li>• Long Inside Passage Half Spindle</li> <li>• 3" Deadbolt Mounting Screws</li> <li>• Spindle Extensions</li> <li>• Extended Full-Lip Strike Plate</li> <li>• Deadbolt Strike Plate</li> </ul> </li> </ul>	<ul style="list-style-type: none"> <li>• <b>Extended</b> Door Thickness: 2<sup>5</sup>/<sub>8</sub>" - 2<sup>7</sup>/<sub>8</sub>"</li> <li>Extended Components: <ul style="list-style-type: none"> <li>• 2<sup>1</sup>/<sub>2</sub>" Rosette Screws</li> <li>• Extra Long Double Cylinder Tailpiece</li> <li>• Long Outside Entry Spindle</li> <li>• Extra Long Inside Passage Half Spindle</li> <li>• 3<sup>1</sup>/<sub>2</sub>" Deadbolt Mounting Screws</li> <li>• Spindle Extensions</li> <li>• Extended Full-Lip Strike Plate</li> <li>• Deadbolt Strike Plate</li> </ul> </li> </ul>
---	--	--

\* Part # DB4-COLLAR32 Available for 1<sup>3</sup>/<sub>8</sub>" Thick Doors

## Brass Tubular Entryset Monolithic & Full Length, Single Cylinder

Marietta (4411), Orleans (4311), Arts & Crafts (4811), Wilshire (4211), Wilmington (4314), Melrose (4212), Ribbon & Reed (4711), Imperial (4911), Richmond (4313), Adams (4414), Jefferson (4415)

<ul style="list-style-type: none"> <li>• Standard Door Thickness: 1<sup>3</sup>/<sub>4</sub>" - 2<sup>1</sup>/<sub>8</sub>"</li> <li>Standard Components: <ul style="list-style-type: none"> <li>• 1<sup>1</sup>/<sub>2</sub>" Rosette Screws</li> <li>• Single Cylinder Tailpiece</li> <li>• Outside Entry Spindle</li> <li>• Inside Passage Half Spindle</li> <li>• 2<sup>1</sup>/<sub>4</sub>" Deadbolt Mounting Screws</li> <li>• Full-Lip Strike Plate</li> <li>• Deadbolt Strike Plate</li> </ul> </li> </ul>	<ul style="list-style-type: none"> <li>• <b>Extended</b> Door Thickness: 2<sup>1</sup>/<sub>4</sub>" - 2<sup>1</sup>/<sub>2</sub>"</li> <li>Extended Components: <ul style="list-style-type: none"> <li>• 2" Rosette Screws</li> <li>• Long Single Cylinder Tailpiece</li> <li>• Long Outside Entry Spindle</li> <li>• Long Inside Passage Half Spindle</li> <li>• 3" Deadbolt Mounting Screws</li> <li>• Spindle Extensions</li> <li>• Extended Full-Lip Strike Plate</li> <li>• Deadbolt Strike Plate</li> </ul> </li> </ul>	<ul style="list-style-type: none"> <li>• <b>Extended</b> Door Thickness: 2<sup>1</sup>/<sub>2</sub>" - 3"</li> <li>Extended Components: <ul style="list-style-type: none"> <li>• 2<sup>1</sup>/<sub>2</sub>" Rosette Screws</li> <li>• Extra Long Single Cylinder Tailpiece</li> <li>• Long Outside Entry Spindle</li> <li>• Extra Long Inside Passage Half Spindle</li> <li>• 3" Deadbolt Mounting Screws</li> <li>• Spindle Extensions</li> <li>• Extended Full-Lip Strike Plate</li> <li>• Deadbolt Strike Plate</li> </ul> </li> </ul>
---	--	--

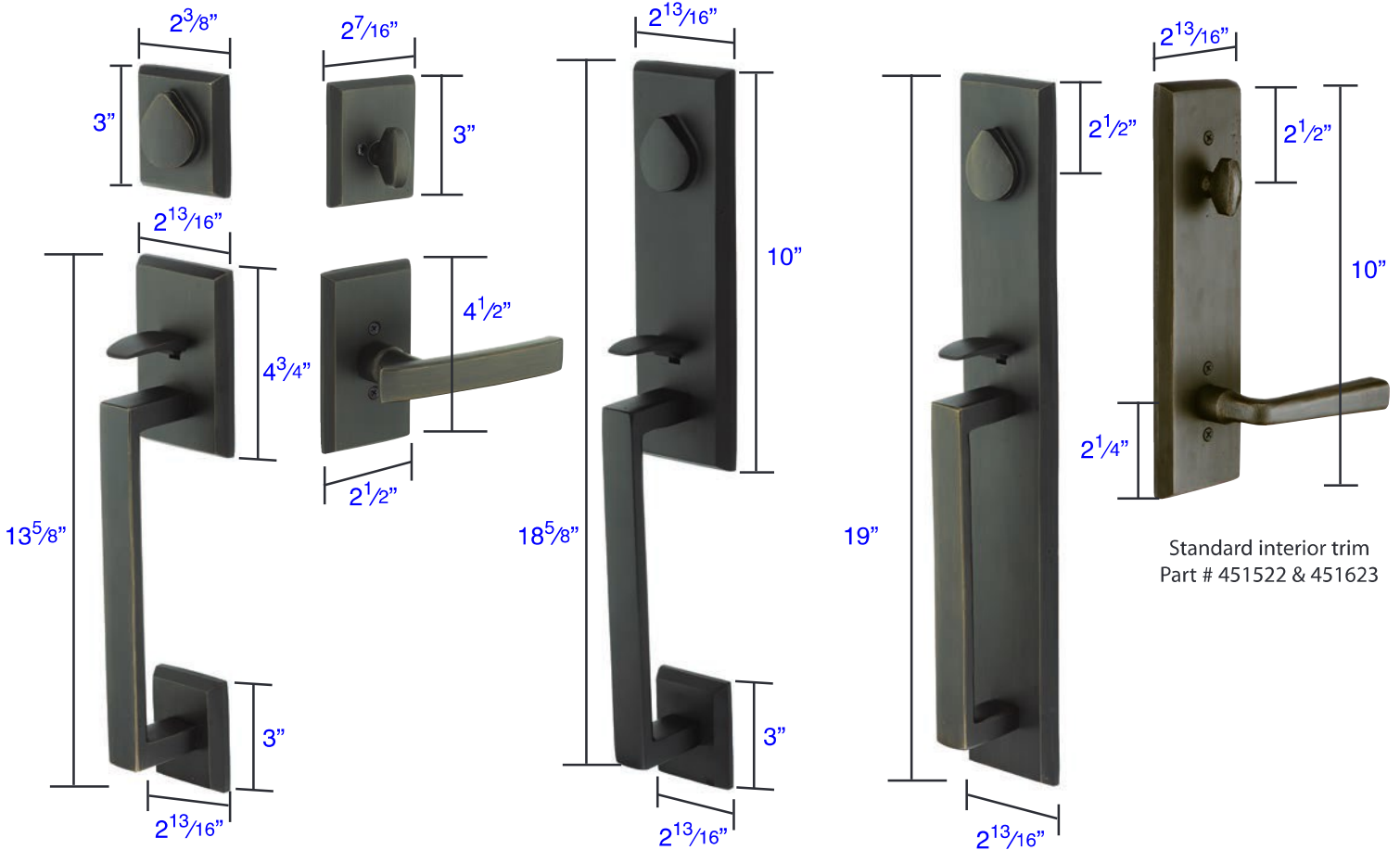
## Brass Tubular Entryset Monolithic & Full Length, Double Cylinder

Marietta (4421), Orleans (4321), Arts & Crafts (4821), Wilshire (4221), Wilmington (4324), Melrose (4212), Ribbon & Reed (4721), Imperial (4921), Richmond (4323), Adams (4424), Jefferson (4425)

<ul style="list-style-type: none"> <li>• Standard Door Thickness: 1<sup>3</sup>/<sub>4</sub>" - 2"</li> <li>Standard Components: <ul style="list-style-type: none"> <li>• 1<sup>1</sup>/<sub>2</sub>" Rosette Screws</li> <li>• Double Cylinder Tailpiece</li> <li>• Outside Entry Spindle</li> <li>• Inside Passage Half Spindle</li> <li>• 2<sup>1</sup>/<sub>4</sub>" Deadbolt Mounting Screws</li> <li>• Full-Lip Strike Plate</li> <li>• Deadbolt Strike Plate</li> </ul> </li> </ul>	<ul style="list-style-type: none"> <li>• <b>Extended</b> Door Thickness: 2" - 2<sup>5</sup>/<sub>8</sub>"</li> <li>Extended Components: <ul style="list-style-type: none"> <li>• 2" Rosette Screws</li> <li>• Long Double Cylinder Tailpiece</li> <li>• Long Outside Entry Spindle</li> <li>• Long Inside Passage Half Spindle</li> <li>• 3" Deadbolt Mounting Screws</li> <li>• Spindle Extensions</li> <li>• Extended Full-Lip Strike Plate</li> <li>• Deadbolt Strike Plate</li> </ul> </li> </ul>	<ul style="list-style-type: none"> <li>• <b>Extended</b> Door Thickness: 2<sup>5</sup>/<sub>8</sub>" - 2<sup>7</sup>/<sub>8</sub>"</li> <li>Extended Components: <ul style="list-style-type: none"> <li>• 2<sup>1</sup>/<sub>2</sub>" Rosette Screws</li> <li>• Long Double Cylinder Tailpiece</li> <li>• Long Outside Entry Spindle</li> <li>• Extra Long Inside Passage Half Spindle</li> <li>• 3<sup>1</sup>/<sub>2</sub>" Deadbolt Mounting Screws</li> <li>• Spindle Extensions</li> <li>• Extended Full-Lip Strike Plate</li> <li>• Deadbolt Strike Plate</li> </ul> </li> </ul>
--	---	--

\* Part # DB4-COLLAR32 Available for 1<sup>3</sup>/<sub>8</sub>" Thick Doors

TS-TE REV17A 01/03/2019



Rustic Modern Rectangular  
Sectional  
Part# 451421

Rustic Modern Rectangular  
Monolithic  
Part# 451522

Rustic Modern Rectangular  
Full Length  
Part# 451623

Standard interior trim  
Part # 451522 & 451623

**Additional Dimensions: (Part # 451421)**

- Exterior Projection is 3"
- Interior Projection Depends on Handle Style
- Overall Grip thickness: 1<sup>11</sup>/<sub>16</sub>"
- Clearance between door & grip is 1<sup>7</sup>/<sub>8</sub>"
- Plates thickness: 1/2"

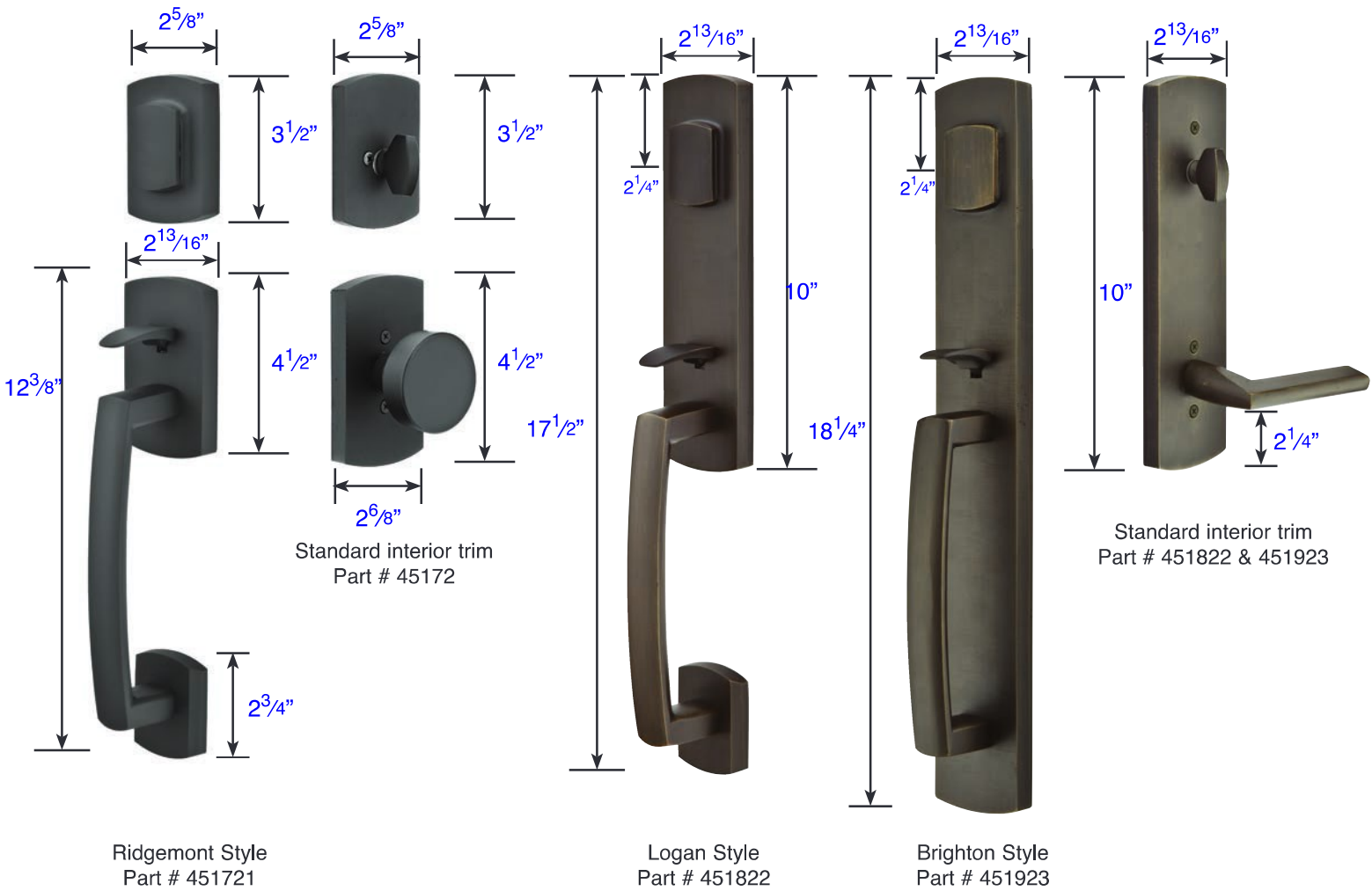
*Same Dimensions for  
Double Cylinder & Dummy Function*

**Additional Dimensions: (Part # 451522 & 451623)**

- Exterior Projection is 3"
- Interior Projection Depends on Handle Style
- Overall Grip thickness: 1<sup>11</sup>/<sub>16</sub>"
- Clearance between door & grip is 1<sup>7</sup>/<sub>8</sub>"
- Plates thickness: 1/2"

*Same Dimensions for  
Double Cylinder & Dummy Function*

Dimensions for **Grip-By-Grip Entrance** are the same as the Exterior Trim of standard grip handlesets.



**Additional Dimensions: (Part # 451721)**

- Exterior Projection is 2 7/8"
- Interior Projection Depends on Handle Style
- Overall Grip thickness: 1 1/16"
- Clearance between door & grip: 2"
- Plates thickness: 1/2"

*Same Dimensions for  
Double Cylinder & Dummy Function*

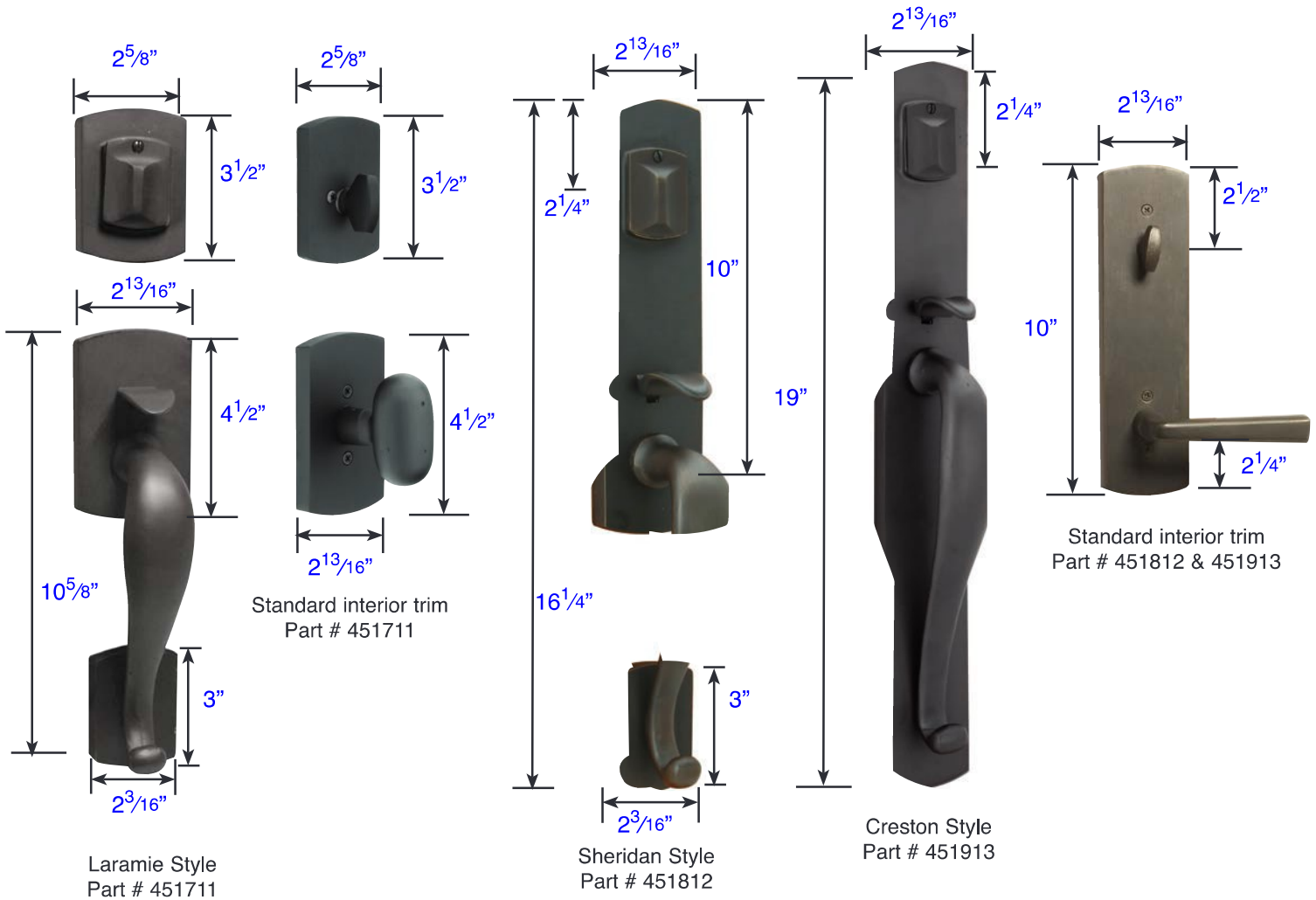
**Additional Dimensions: (Part # 451822 & 451923)**

- Exterior Projection is 2 7/8"
- Interior Projection Depends on Handle Style
- Overall Grip thickness: 1 1/16"
- Clearance between door & grip: 1 1/2"
- Plates thickness: 1/2"

*Same Dimensions for  
Double Cylinder & Dummy Function*

Dimensions for **Grip-By-Grip Entrance** are the same as the Exterior Trim of standard grip handlesets.





**Additional Dimensions: (Part # 451711)**

- Exterior Projection is 3"
- Interior Projection Depends on Handle Style
- Overall Grip thickness:  $1\frac{11}{16}$ "
- Clearance between door & grip is  $1\frac{7}{8}$ "
- Plates thickness:  $\frac{1}{2}$ "

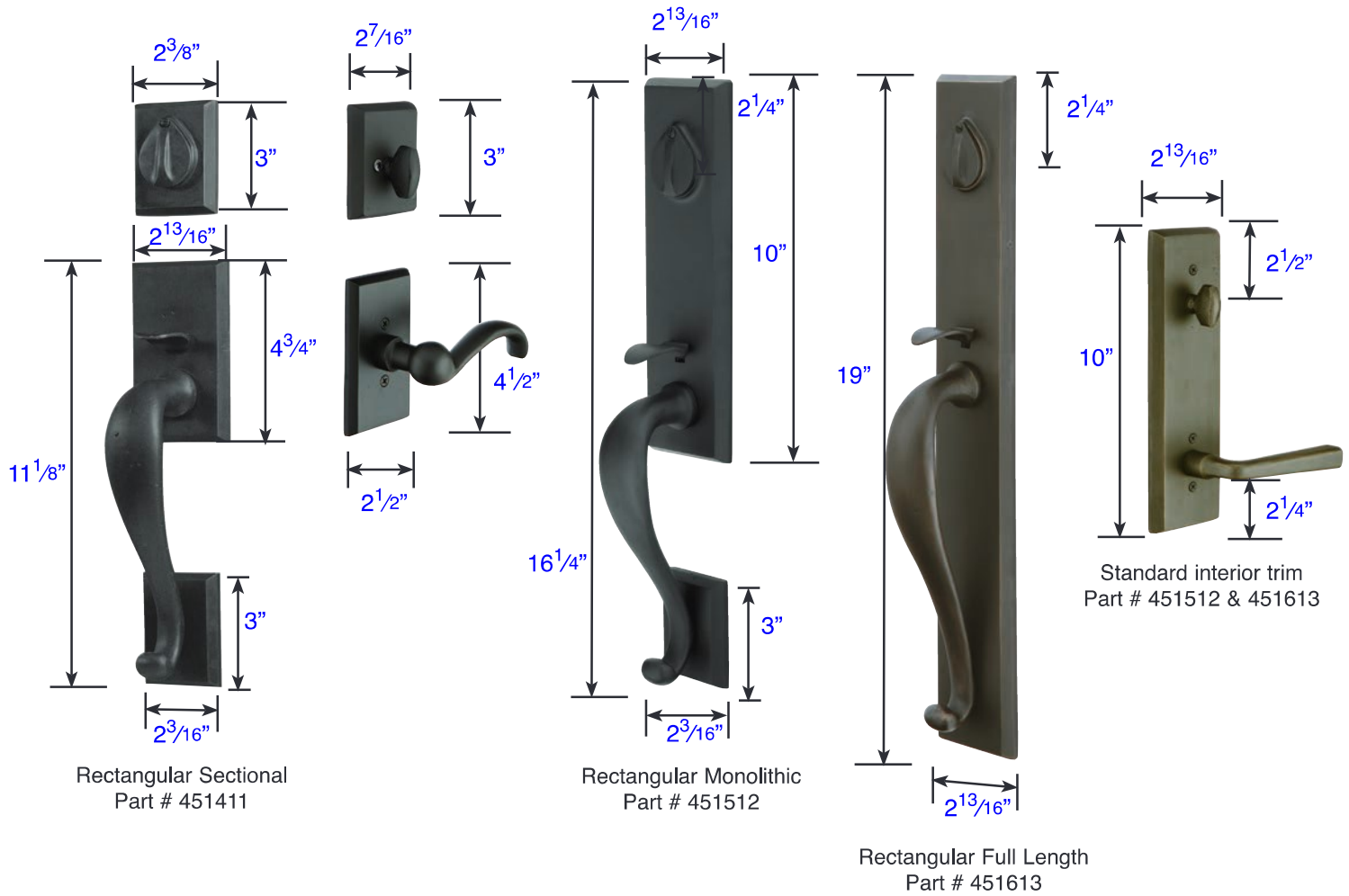
*Same Dimensions for  
Double Cylinder & Dummy Function*

**Additional Dimensions: (Part # 451812/451913)**

- Exterior Projection is 3"
- Interior Projection Depends on Handle Style
- Overall Grip thickness:  $1\frac{11}{16}$ "
- Clearance between door & grip is  $1\frac{7}{8}$ "
- Plates thickness:  $\frac{1}{2}$ "

*Same Dimensions for  
Double Cylinder & Dummy Function*

Dimensions for **Grip-By-Grip Entrance** are the same as the Exterior Trim of standard grip handlesets.



**Additional Dimensions: (Part # 451411)**

- Exterior Projection is 3"
- Interior Projection Depends on Handle Style
- Overall Grip thickness: 1 1/16"
- Clearance between door & grip is 1 7/8"
- Plates thickness: 1/2"

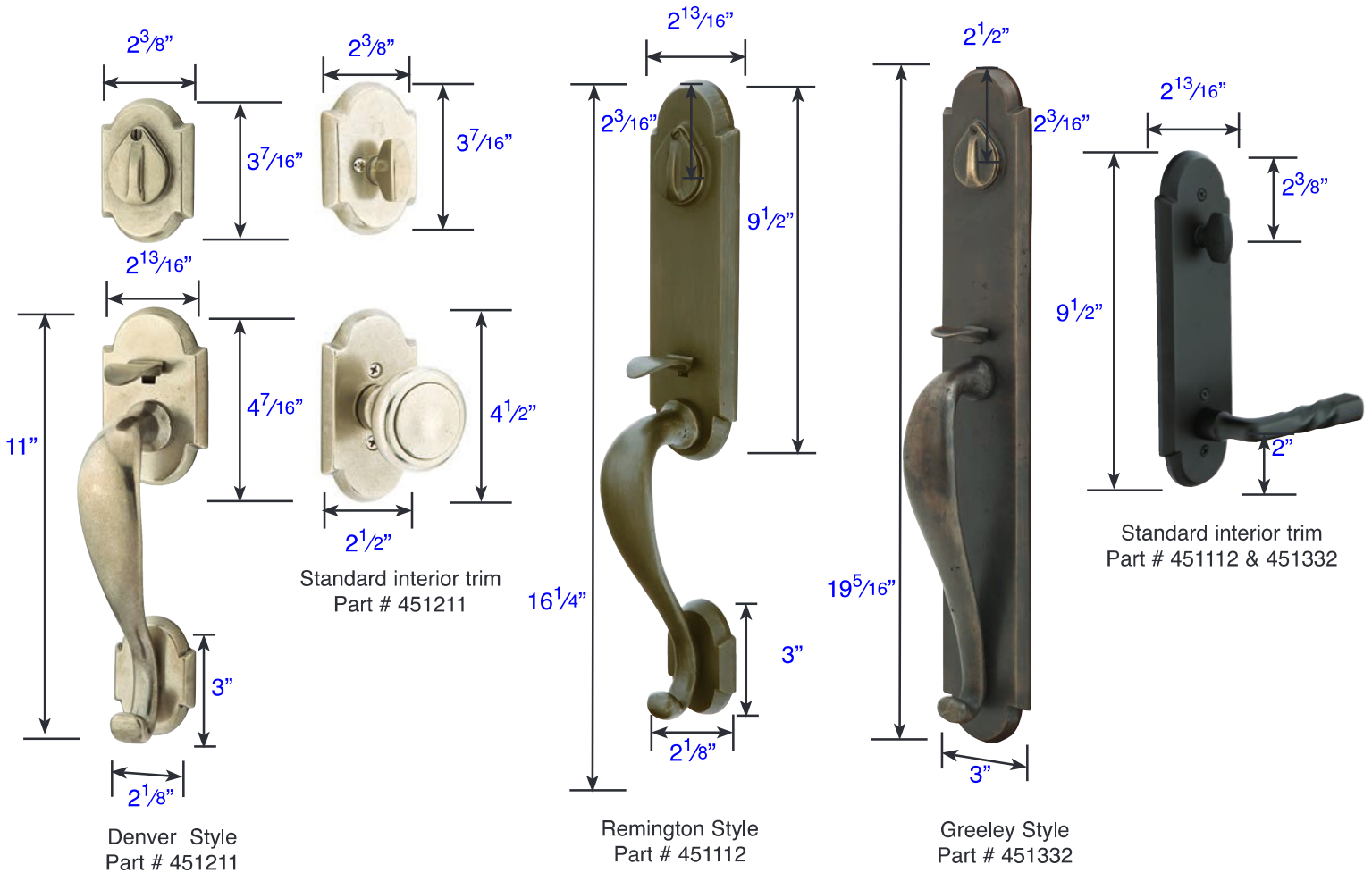
*Same Dimensions for  
Double Cylinder & Dummy Function*

**Additional Dimensions: (Part # 451512 & 451613)**

- Exterior Projection is 3"
- Interior Projection Depends on Handle Style
- Overall Grip thickness: 1 1/16"
- Clearance between door & grip is 1 7/8"
- Plates thickness: 1/2"

*Same Dimensions for  
Double Cylinder & Dummy Function*

Dimensions for *Grip-By-Grip Entrance* are the same as the Exterior Trim of standard grip handlesets.



**Additional Dimensions: (Part # 451211)**

- Exterior Projection is 3"
- Interior Projection Depends on Handle Style
- Overall Grip thickness: 1<sup>1</sup>/<sub>16</sub>"
- Clearance between door & grip is 1<sup>7</sup>/<sub>8</sub>"
- Plates thickness: 1/2"

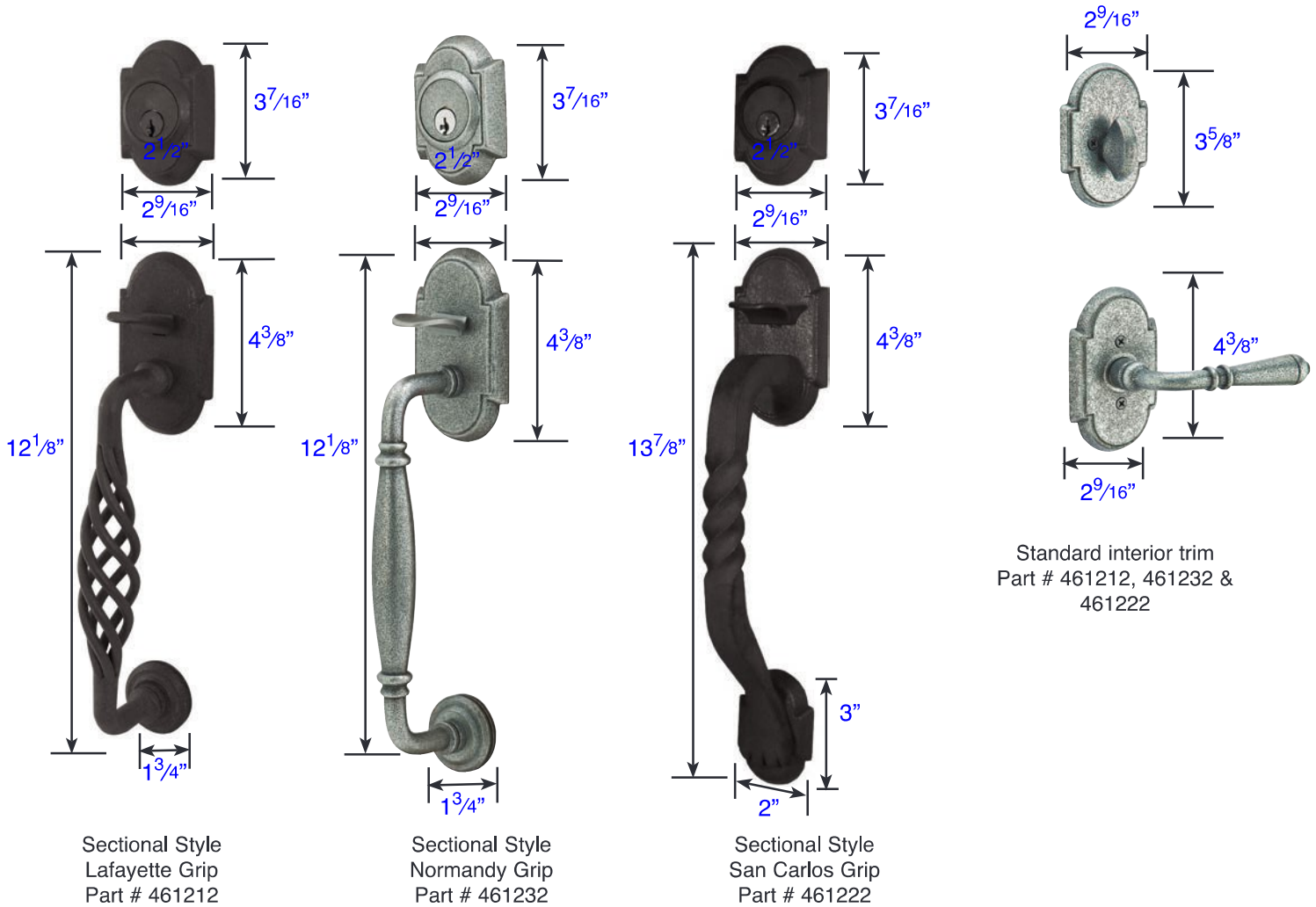
*Same Dimensions for  
Double Cylinder & Dummy Function*

**Additional Dimensions: (Part # 451112 & 451332)**

- Exterior Projection is 3"
- Interior Projection Depends on Handle Style
- Overall Grip thickness: 1<sup>1</sup>/<sub>16</sub>"
- Clearance between door & grip is 1<sup>7</sup>/<sub>8</sub>"
- Plates thickness: 1/2"

*Same Dimensions for  
Double Cylinder & Dummy Function*

Dimensions for **Grip-By-Grip Entrance** are the same as the Exterior Trim of standard grip handlesets.



**Additional Dimensions: (Part # 461212 & 461232)**

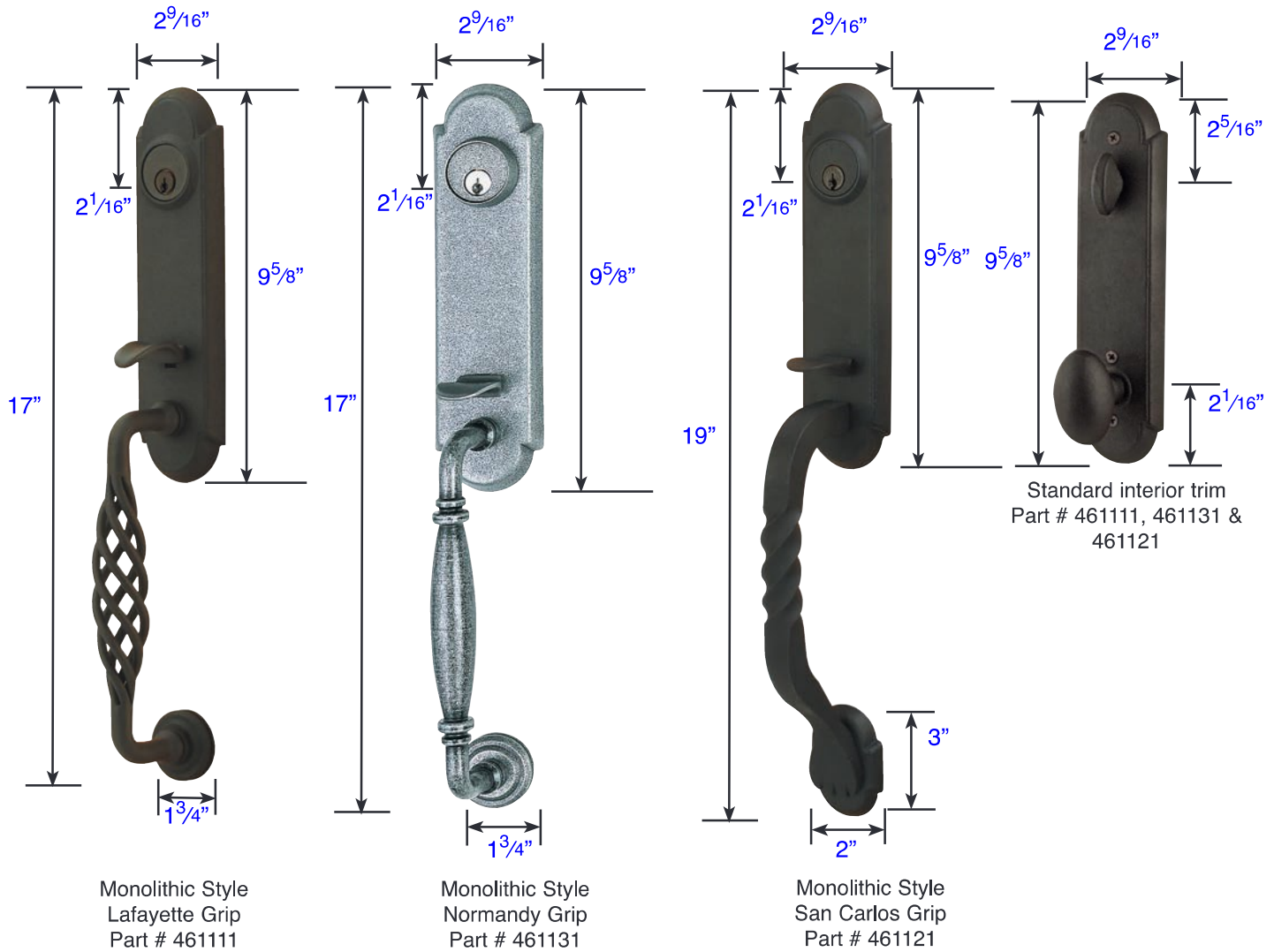
- Exterior Projection is 3"
- Interior Projection Depends on Handle Style
- Overall Grip thickness: 3/4"
- Clearance between door & grip is 1 5/8"
- Plates thickness: 1/2"

*Same Dimensions for  
Double Cylinder & Dummy Function*

**Additional Dimensions: (Part # 461222)**

- Exterior Projection is 3 1/2"
- Interior Projection Depends on Handle Style
- Overall Grip thickness: 3/4"
- Clearance between door & grip is 2"
- Plates thickness: 1/2"

*Same Dimensions for  
Double Cylinder & Dummy Function*



**Additional Dimensions: (Part # 461111 & 461131)**

- Exterior Projection is 3"
- Interior Projection Depends on Handle Style
- Overall Grip thickness: 3/4"
- Clearance between door & grip is 1 5/8"
- Plates thickness: 1/2"

*Same Dimensions for  
Double Cylinder & Dummy Function*

**Additional Dimensions: (Part # 461121)**

- Exterior Projection is 3 1/2"
- Interior Projection Depends on Handle Style
- Overall Grip thickness: 3/4"
- Clearance between door & grip is 2"
- Plates thickness: 1/2"

*Same Dimensions for  
Double Cylinder & Dummy Function*

## Cast Bronze Tubular Entryset Sectional, Single Cylinder

Denver (451211), Laramie (451711), Rectangular Sectional (451411), Rustic Modern Rectangular (451421)

- Standard Door Thickness: 1<sup>3</sup>/<sub>4</sub>" - 2"
- Standard Components:
- 1<sup>1</sup>/<sub>2</sub>" & 2" Rosette Screws
- Single Cylinder Tailpiece
- Outside Entry Spindle
- Inside Passage Half Spindle
- 2<sup>1</sup>/<sub>2</sub>" Deadbolt Mounting Screws
- Full-Lip Strike Plate
- Deadbolt Strike Plate

- **Extended** Door Thickness: 2" - 2<sup>1</sup>/<sub>2</sub>"
- Extended Components:
- 2" Rosette Screws
- Long Single Cylinder Tailpiece
- Long Outside Entry Spindle
- Long Inside Passage Half Spindle
- 3" Deadbolt Mounting Screws
- Spindle Extensions
- Extended Full-Lip Strike Plate
- Deadbolt Strike Plate

- **Extended** Door Thickness: 2<sup>1</sup>/<sub>2</sub>" - 2<sup>7</sup>/<sub>8</sub>"
- Extended Components:
- 2<sup>1</sup>/<sub>2</sub>" Rosette Screws
- Extra Long Single Cylinder Tailpiece
- Long Outside Entry Spindle
- Extra Long Inside Passage Half Spindle
- 3<sup>1</sup>/<sub>2</sub>" Deadbolt Mounting Screws
- Spindle Extensions
- Extended Full-Lip Strike Plate
- Deadbolt Strike Plate

## Cast Bronze Tubular Entryset Sectional, Double Cylinder

Denver (452211), Laramie (452711), Rectangular Sectional (452411), Rustic Modern Rectangular (451421)

- Standard Door Thickness: 1<sup>3</sup>/<sub>4</sub>" - 2"
- Standard Components:
- 1<sup>1</sup>/<sub>2</sub>" Rosette Screws
- Double Cylinder Tailpiece
- Outside Entry Spindle
- Inside Passage Half Spindle
- 2<sup>1</sup>/<sub>2</sub>" Deadbolt Mounting Screws
- Full-Lip Strike Plate
- Deadbolt Strike Plate

- **Extended** Door Thickness: 2<sup>1</sup>/<sub>4</sub>" - 2<sup>5</sup>/<sub>8</sub>"
- Extended Components:
- 2" & 2<sup>1</sup>/<sub>2</sub>" Rosette Screws
- Long Double Cylinder Tailpiece
- Long Outside Entry Spindle
- Long Inside Passage Half Spindle
- 3" & 3<sup>1</sup>/<sub>2</sub>" Deadbolt Mounting Screws
- Spindle Extensions
- Extended Full-Lip Strike Plate
- Deadbolt Strike Plate

## Cast Bronze Tubular Entryset Monolithic & Full Length, Single Cylinder

Remington (451112), Greeley (451332), Rectangular Monolithic (451512) or Full Length (451613), Sheridan (451812), Creston (451913), Rustic Modern Rectangular Monolithic (451522) or Full Length (451623)

- Standard Door Thickness: 1<sup>3</sup>/<sub>4</sub>" - 2"
- Standard Components:
- 1<sup>1</sup>/<sub>2</sub>" & 2" Rosette Screws
- Single Cylinder Tailpiece
- Outside Entry Spindle
- Long Inside Passage Half Spindle
- 2<sup>1</sup>/<sub>2</sub>" Deadbolt Mounting Screws
- Full-Lip Strike Plate
- Deadbolt Strike Plate

- **Extended** Door Thickness: 2" - 2<sup>1</sup>/<sub>2</sub>"
- Extended Components:
- 2" Rosette Screws
- Long Single Cylinder Tailpiece
- Long Outside Entry Spindle
- Long Inside Passage Half Spindle
- 3" Deadbolt Mounting Screws
- Spindle Extensions
- Extended Full-Lip Strike Plate
- Deadbolt Strike Plate

- **Extended** Door Thickness: 2<sup>1</sup>/<sub>2</sub>" - 2<sup>7</sup>/<sub>8</sub>"
- Extended Components:
- 2<sup>1</sup>/<sub>2</sub>" Rosette Screws
- Extra Long Single Cylinder Tailpiece
- Long Outside Entry Spindle
- Extra Long Inside Passage Half Spindle
- 3<sup>1</sup>/<sub>2</sub>" Deadbolt Mounting Screws
- Spindle Extensions
- Extended Full-Lip Strike Plate
- Deadbolt Strike Plate

## Cast Bronze Tubular Entryset Monolithic & Full Length, Double Cylinder

Remington (452112), Greeley (452332), Rectangular Monolithic (452512) or Full Length (452613), Sheridan (452812), Creston (452913), Rustic Modern Rectangular Monolithic (452522) or Full Length (452623)

- Standard Door Thickness: 1<sup>3</sup>/<sub>4</sub>" - 2"
- Standard Components:
- 1<sup>1</sup>/<sub>2</sub>" Rosette Screws
- Double Cylinder Tailpiece
- Outside Entry Spindle
- Long Inside Passage Half Spindle
- 2<sup>1</sup>/<sub>2</sub>" Deadbolt Mounting Screws
- Full-Lip Strike Plate
- Deadbolt Strike Plate

- **Extended** Door Thickness: 2" - 2<sup>5</sup>/<sub>8</sub>"
- Extended Components:
- 2" & 2<sup>1</sup>/<sub>2</sub>" Rosette Screws
- Long Double Cylinder Tailpiece
- Long Outside Entry Spindle
- Long Inside Passage Half Spindle
- 3" & 3<sup>1</sup>/<sub>2</sub>" Deadbolt Mounting Screws
- Spindle Extensions
- Extended Full-Lip Strike Plate
- Deadbolt Strike Plate

## Grip-By-Grip Tubular Entryset Sectional, Monolithic & Full Length, Single Cylinder

Ridgemont (453727), Logan (453828), Brighton (453929), Denver (453212), Remington (453111), Greeley (453333), Rectangular Sectional (453414) or Monolithic (453515) or Full Length (453636), Rustic Modern Rectangular Sectional (453424) or Monolithic (453525) or Full Length (453646).

- Standard Door Thickness: 1<sup>3</sup>/<sub>4</sub>"- 2"
- Standard Components:
  - 1<sup>1</sup>/<sub>2</sub>" & 2" Rosette Screws
  - Single Cylinder Tailpiece
  - Outside Entry Spindle
  - Inside Passage Half Spindle
  - 2<sup>1</sup>/<sub>2</sub>" Deadbolt Mounting Screws
  - Full-Lip Strike Plate
  - Deadbolt Strike Plate

- **Extended** Door Thickness: 2"- 2<sup>1</sup>/<sub>2</sub>"
- Extended Components:
  - 2" & 2<sup>1</sup>/<sub>2</sub>" Rosette Screws
  - Long Single Cylinder Tailpiece
  - Long Outside Entry Spindle
  - 3" Deadbolt Mounting Screws
  - Extended Full-Lip Strike Plate
  - Deadbolt Strike Plate

- **Extended** Door Thickness: 2<sup>1</sup>/<sub>2</sub>"- 3"
- Extended Components:
  - 2<sup>1</sup>/<sub>2</sub>" & 3" Rosette Screws
  - Extra Long Single Cylinder Tailpiece
  - Long Outside Entry Spindle
  - 3<sup>1</sup>/<sub>2</sub>" Deadbolt Mounting Screws
  - Extended Full-Lip Strike Plate
  - Deadbolt Strike Plate

## Grip-By-Grip Tubular Entryset Sectional, Monolithic & Full Length, Double Cylinder

Ridgemont (454727), Logan (454828), Brighton (454929), Denver (454212), Remington (454111), Greeley (454333), Rectangular Sectional (454414) or Monolithic (454515) or Full Length (454636), Rustic Modern Rectangular Sectional (454424) or Monolithic (454525) or Full Length (454646)

- Standard Door Thickness: 1<sup>3</sup>/<sub>4</sub>"- 2<sup>1</sup>/<sub>8</sub>"
- Standard Components:
  - 1<sup>1</sup>/<sub>2</sub>" Rosette Screws
  - Double Cylinder Tailpiece
  - Outside Entry Spindle
  - 2<sup>1</sup>/<sub>2</sub>" & 3" Deadbolt Mounting Screws
  - Full-Lip Strike Plate
  - Deadbolt Strike Plate

- **Extended** Door Thickness: 2<sup>1</sup>/<sub>8</sub>"- 3"
- Extended Components:
  - 2<sup>1</sup>/<sub>2</sub>" & 3" Rosette Screws
  - Long Double Cylinder Tailpiece
  - Long Outside Entry Spindle
  - 3" & 3<sup>1</sup>/<sub>2</sub>" Deadbolt Mounting Screws
  - Extended Full-Lip Strike Plate
  - Deadbolt Strike Plate

## Wrought Steel Tubular Entryset Sectional, Single Cylinder

Lafayette (461212), San Carlos (461222), Normandy (461232)

- Standard Door Thickness: 1<sup>5</sup>/<sub>8</sub>" - 2"
- Standard Components:
  - 1<sup>1</sup>/<sub>2</sub>" Rosette Screws
  - Single Cylinder Tailpiece
  - Outside Entry Spindle
  - Inside Passage Half Spindle
  - 2<sup>1</sup>/<sub>4</sub>" Deadbolt Mounting Screws
  - Full-Lip Strike Plate
  - Deadbolt Strike Plate

- **Extended** Door Thickness: 2" - 2<sup>1</sup>/<sub>2</sub>"
- Extended Components:
  - 2" Rosette Screws
  - Long Single Cylinder Tailpiece
  - Long Outside Entry Spindle
  - Long Inside Passage Half Spindle
  - 3" Deadbolt Mounting Screws
  - Spindle Extensions
  - Extended Full-Lip Strike Plate
  - Deadbolt Strike Plate

- **Extended** Door Thickness: 2<sup>1</sup>/<sub>2</sub>" - 2<sup>7</sup>/<sub>8</sub>"
- Extended Components:
  - 2<sup>1</sup>/<sub>2</sub>" Rosette Screws
  - Extra Long Single Cylinder Tailpiece
  - Long Outside Entry Spindle
  - Extra Long Inside Passage Half Spindle
  - 3<sup>1</sup>/<sub>2</sub>" Deadbolt Mounting Screws
  - Spindle Extensions
  - Extended Full-Lip Strike Plate
  - Deadbolt Strike Plate

## Wrought Steel Tubular Entryset Sectional, Double Cylinder

Lafayette (462212), San Carlos (462222), Normandy (462232)

- Standard Door Thickness: 1<sup>1</sup>/<sub>2</sub>" - 2"
- Standard Components:
  - 1<sup>1</sup>/<sub>2</sub>" Rosette Screws
  - Double Cylinder Tailpiece
  - Outside Entry Spindle
  - Inside Passage Half Spindle
  - 2<sup>1</sup>/<sub>4</sub>" Deadbolt Mounting Screws
  - Full-Lip Strike Plate
  - Deadbolt Strike Plate

- **Extended** Door Thickness: 2" - 2<sup>5</sup>/<sub>8</sub>"
- Extended Components:
  - 2" Rosette Screws
  - Long Double Cylinder Tailpiece
  - Long Outside Entry Spindle
  - Long Inside Passage Half Spindle
  - 3" Deadbolt Mounting Screws
  - Spindle Extensions
  - Extended Full-Lip Strike Plate
  - Deadbolt Strike Plate

- **Extended** Door Thickness: 2<sup>5</sup>/<sub>8</sub>" - 2<sup>7</sup>/<sub>8</sub>"
- Extended Components:
  - 2<sup>1</sup>/<sub>2</sub>" Rosette Screws
  - Extra Long Double Cylinder Tailpiece
  - Long Outside Entry Spindle
  - Extra Long Inside Passage Half Spindle
  - 3<sup>1</sup>/<sub>2</sub>" Deadbolt Mounting Screws
  - Spindle Extensions
  - Extended Full-Lip Strike Plate
  - Deadbolt Strike Plate

## Wrought Steel Tubular Entryset Monolithic, Single Cylinder

Lafayette (461111), San Carlos (461121), Normandy (461131)

- Standard Door Thickness: 1<sup>3</sup>/<sub>4</sub>" - 2<sup>1</sup>/<sub>8</sub>"
- Standard Components:
  - 1<sup>1</sup>/<sub>2</sub>" Rosette Screws
  - Single Cylinder Tailpiece
  - Outside Entry Spindle
  - Inside Passage Half Spindle
  - 2<sup>1</sup>/<sub>4</sub>" Deadbolt Mounting Screws
  - Full-Lip Strike Plate
  - Deadbolt Strike Plate

- **Extended** Door Thickness: 2<sup>1</sup>/<sub>4</sub>" - 2<sup>1</sup>/<sub>2</sub>"
- Extended Components:
  - 2" Rosette Screws
  - Long Single Cylinder Tailpiece
  - Long Outside Entry Spindle
  - Long Inside Passage Half Spindle
  - 2<sup>1</sup>/<sub>2</sub>" Deadbolt Mounting Screws
  - Spindle Extensions
  - Extended Full-Lip Strike Plate
  - Deadbolt Strike Plate

- **Extended** Door Thickness: 2<sup>1</sup>/<sub>2</sub>" - 3"
- Extended Components:
  - 2<sup>1</sup>/<sub>2</sub>" Rosette Screws
  - Extra Long Single Cylinder Tailpiece
  - Long Outside Entry Spindle
  - Extra Long Inside Passage Half Spindle
  - 3" Deadbolt Mounting Screws
  - Spindle Extensions
  - Extended Full-Lip Strike Plate
  - Deadbolt Strike Plate

## Wrought Steel Tubular Entryset Monolithic, Double Cylinder

Lafayette (462111), San Carlos (462121), Normandy (462131)

- Standard Door Thickness: 1<sup>3</sup>/<sub>4</sub>" - 2"
- Standard Components:
  - 1<sup>1</sup>/<sub>2</sub>" Rosette Screws
  - Double Cylinder Tailpiece
  - Outside Entry Spindle
  - Inside Passage Half Spindle
  - 2<sup>1</sup>/<sub>4</sub>" Deadbolt Mounting Screws
  - Full-Lip Strike Plate
  - Deadbolt Strike Plate

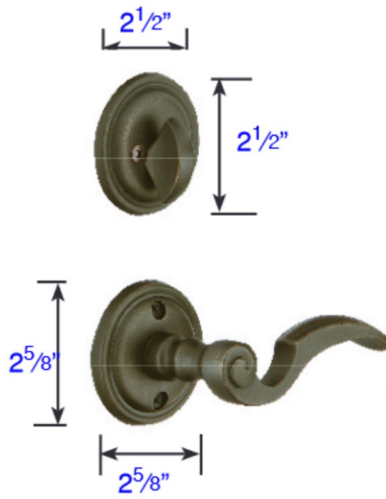
- **Extended** Door Thickness: 2" - 2<sup>5</sup>/<sub>8</sub>"
- Extended Components:
  - 2" Rosette Screws
  - Long Double Cylinder Tailpiece
  - Long Outside Entry Spindle
  - Long Inside Passage Half Spindle
  - 3" Deadbolt Mounting Screws
  - Spindle Extensions
  - Extended Full-Lip Strike Plate
  - Deadbolt Strike Plate

TS-TE REV18 08/31/2018

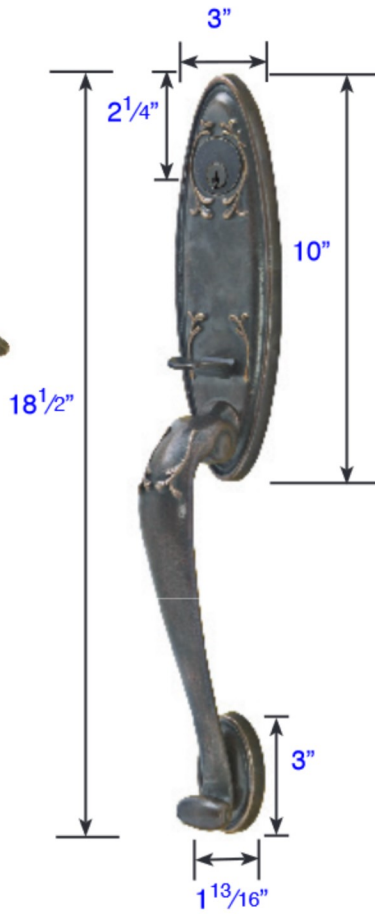




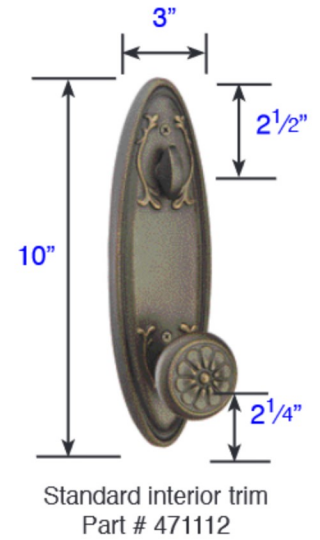
Tuscany Sectional Style  
Part # 471224



Standard interior trim  
Part # 471224



Tuscany Monolithic  
Part # 471112



Standard interior trim  
Part # 471112

**Additional Dimensions: (Part # 471224)**

- Exterior Projection is 3<sup>3</sup>/<sub>32</sub>"
- Interior Projection Depends on Handle Style
- Overall Grip thickness: 1<sup>9</sup>/<sub>16</sub>"
- Clearance between door & grip is 2<sup>3</sup>/<sub>8</sub>"
- Plates thickness: 1/2"

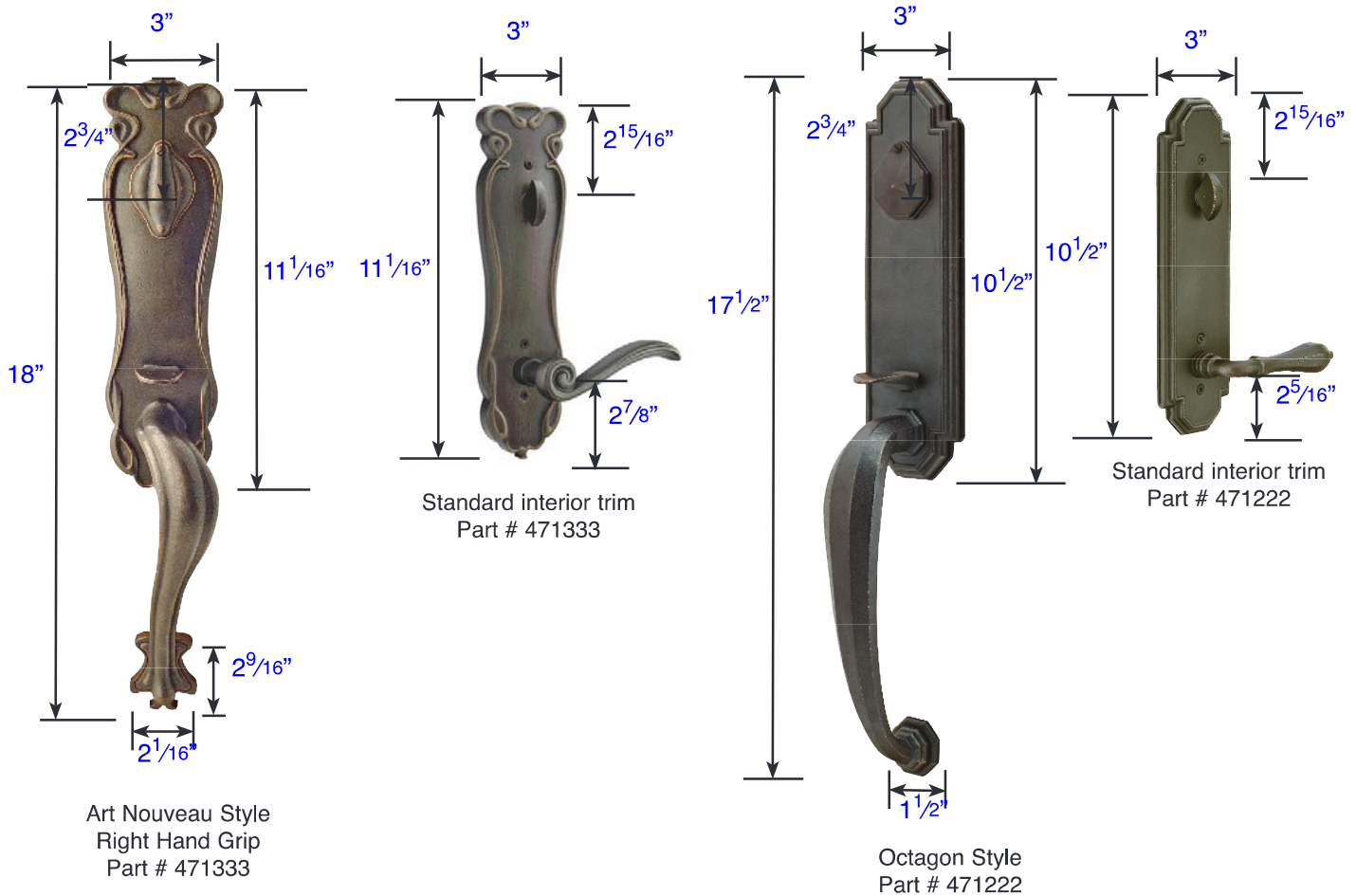
*Same Dimensions for  
Double Cylinder & Dummy Function*

**Additional Dimensions: (Part # 471112)**

- Exterior Projection is 3<sup>3</sup>/<sub>32</sub>"
- Interior Projection Depends on Handle Style
- Overall Grip thickness: 1"
- Clearance between door & grip is 2<sup>3</sup>/<sub>8</sub>"
- Plates thickness: 1/2"

*Same Dimensions for  
Double Cylinder & Dummy Function*

Dimensions for **Grip-By-Grip Entrance** are the same as the Exterior Trim of standard grip handlesets.



**Additional Dimensions: (Part # 471333 & 471222)**

- Exterior Projection is 3<sup>1</sup>/<sub>8</sub>"
- Interior Projection Depends on Handle Style
- Overall Grip thickness: 1<sup>3</sup>/<sub>4</sub>"
- Clearance between door & grip is 1<sup>3</sup>/<sub>4</sub>"
- Plates thickness: 1/2"

*Same Dimensions for  
Double Cylinder & Dummy Function*

Dimensions for **Grip-By-Grip Entrance** are the same as the Exterior Trim of standard grip handlesets.

## Lost Wax Cast Bronze Tubular Entryset Sectional, Single Cylinder

Tuscany Sectional (471224)

- Standard Door Thickness: 1<sup>3</sup>/<sub>4</sub>"- 2"
- Standard Components:
- 1<sup>1</sup>/<sub>2</sub>" & 2" Rosette Screws
- Single Cylinder Tailpiece
- Outside Entry Spindle
- Inside Passage Half Spindle
- 2<sup>1</sup>/<sub>2</sub>" Deadbolt Mounting Screws
- Full-Lip Strike Plate
- Deadbolt Strike Plate

- **Extended** Door Thickness: 2"- 2<sup>1</sup>/<sub>2</sub>"
- Extended Components:
- 2" Rosette Screws
- Long Single Cylinder Tailpiece
- Long Outside Entry Spindle
- Long Inside Passage Half Spindle
- 3" Deadbolt Mounting Screws
- Spindle Extensions
- Extended Full-Lip Strike Plate
- Deadbolt Strike Plate

- **Extended** Door Thickness: 2<sup>1</sup>/<sub>2</sub>"- 2<sup>7</sup>/<sub>8</sub>"
- Extended Components:
- 2<sup>1</sup>/<sub>2</sub>" Rosette Screws
- Extra Long Single Cylinder Tailpiece
- Long Outside Entry Spindle
- Extra Long Inside Passage Half Spindle
- 3<sup>1</sup>/<sub>2</sub>" Deadbolt Mounting Screws
- Spindle Extensions
- Extended Full-Lip Strike Plate
- Deadbolt Strike Plate

## Lost Wax Cast Bronze Tubular Entryset Sectional, Double Cylinder

Tuscany Sectional (472224)

- Standard Door Thickness: 1<sup>3</sup>/<sub>4</sub>"- 2"
- Standard Components:
- 1<sup>1</sup>/<sub>2</sub>" Rosette Screws
- Double Cylinder Tailpiece
- Outside Entry Spindle
- Inside Passage Half Spindle
- 2<sup>1</sup>/<sub>2</sub>" Deadbolt Mounting Screws
- Full-Lip Strike Plate
- Deadbolt Strike Plate

- **Extended** Door Thickness: 2<sup>1</sup>/<sub>4</sub>"- 2<sup>5</sup>/<sub>8</sub>"
- Extended Components:
- 2" & 2<sup>1</sup>/<sub>2</sub>" Rosette Screws
- Long Double Cylinder Tailpiece
- Long Outside Entry Spindle
- Long Inside Passage Half Spindle
- 3" & 3<sup>1</sup>/<sub>2</sub>" Deadbolt Mounting Screws
- Spindle Extensions
- Extended Full-Lip Strike Plate
- Deadbolt Strike Plate

## Lost Wax Cast Bronze Tubular Entryset Monolithic & Full Length, Single Cylinder

Tuscany (471112), Art Nouveau (471333), Octagon (471222)

- Standard Door Thickness: 1<sup>3</sup>/<sub>4</sub>"- 2"
- Standard Components:
- 1<sup>1</sup>/<sub>2</sub>" & 2" Rosette Screws
- Single Cylinder Tailpiece
- Outside Entry Spindle
- Long Inside Passage Half Spindle
- 2<sup>1</sup>/<sub>2</sub>" Deadbolt Mounting Screws
- Full-Lip Strike Plate
- Deadbolt Strike Plate

- **Extended** Door Thickness: 2"- 2<sup>1</sup>/<sub>2</sub>"
- Extended Components:
- 2" Rosette Screws
- Long Single Cylinder Tailpiece
- Long Outside Entry Spindle
- Long Inside Passage Half Spindle
- 3" Deadbolt Mounting Screws
- Spindle Extensions
- Extended Full-Lip Strike Plate
- Deadbolt Strike Plate

- **Extended** Door Thickness: 2<sup>1</sup>/<sub>2</sub>"- 2<sup>7</sup>/<sub>8</sub>"
- Extended Components:
- 2<sup>1</sup>/<sub>2</sub>" Rosette Screws
- Extra Long Single Cylinder Tailpiece
- Long Outside Entry Spindle
- Extra Long Inside Passage Half Spindle
- 3<sup>1</sup>/<sub>2</sub>" Deadbolt Mounting Screws
- Spindle Extensions
- Extended Full-Lip Strike Plate
- Deadbolt Strike Plate

## Lost Wax Cast Bronze Tubular Entryset Monolithic & Full Length, Double Cylinder

Tuscany (472112), Art Nouveau (472333), Octagon (472222)

- Standard Door Thickness: 1<sup>3</sup>/<sub>4</sub>"- 2"
- Standard Components:
- 1<sup>1</sup>/<sub>2</sub>" Rosette Screws
- Double Cylinder Tailpiece
- Outside Entry Spindle
- Long Inside Passage Half Spindle
- 2<sup>1</sup>/<sub>2</sub>" Deadbolt Mounting Screws
- Full-Lip Strike Plate
- Deadbolt Strike Plate

- **Extended** Door Thickness: 2"- 2<sup>5</sup>/<sub>8</sub>"
- Extended Components:
- 2" & 2<sup>1</sup>/<sub>2</sub>" Rosette Screws
- Long Double Cylinder Tailpiece
- Long Outside Entry Spindle
- Long Inside Passage Half Spindle
- 3" & 3<sup>1</sup>/<sub>2</sub>" Deadbolt Mounting Screws
- Spindle Extensions
- Extended Full-Lip Strike Plate
- Deadbolt Strike Plate

## Grip-By-Grip Tubular Entryset, Single Cylinder

Tuscany Sectional(473444), Tuscany(473111), Octagon(473222), Art Nouveau-LH(473333LH), Art Nouveau-RH(473333RH)

- Standard Door Thickness: 1<sup>5</sup>/<sub>8</sub>" - 2"
- Standard Components:
- 1<sup>1</sup>/<sub>2</sub>" & 2" Rosette Screws
- Single Cylinder Tailpiece
- Outside Entry Spindle
- Inside Passage Half Spindle
- 2<sup>1</sup>/<sub>2</sub>" Deadbolt Mounting Screws
- Full-Lip Strike Plate
- Deadbolt Strike Plate

- **Extended** Door Thickness: 2" - 2<sup>1</sup>/<sub>2</sub>"
- Extended Components:
- 2" & 2<sup>1</sup>/<sub>2</sub>" Rosette Screws
- Long Single Cylinder Tailpiece
- Long Outside Entry Spindle
- 3" Deadbolt Mounting Screws
- Extended Full-Lip Strike Plate
- Deadbolt Strike Plate

- **Extended** Door Thickness: 2<sup>1</sup>/<sub>2</sub>" - 3"
- Extended Components:
- 2<sup>1</sup>/<sub>2</sub>" & 3" Rosette Screws
- Extra Long Single Cylinder Tailpiece
- Long Outside Entry Spindle
- 3<sup>1</sup>/<sub>2</sub>" Deadbolt Mounting Screws
- Extended Full-Lip Strike Plate
- Deadbolt Strike Plate

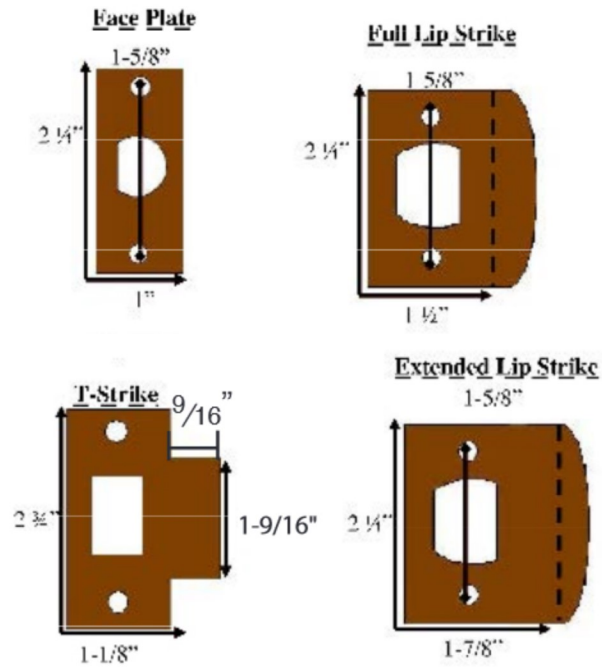
## Grip-By-Grip Tubular Entryset, Double Cylinder

Tuscany Sectional(474444), Tuscany(474111), Octagon(474222), Art Nouveau-LH(474333LH), Art Nouveau-RH(474333RH)

- Standard Door Thickness: 1<sup>5</sup>/<sub>8</sub>" - 2<sup>1</sup>/<sub>8</sub>"
- Standard Components:
- 1<sup>1</sup>/<sub>2</sub>" Rosette Screws
- Double Cylinder Tailpiece
- Outside Entry Spindle
- 2<sup>1</sup>/<sub>2</sub>" & 3" Deadbolt Mounting Screws
- Full-Lip Strike Plate
- Deadbolt Strike Plate

- **Extended** Door Thickness: 2<sup>1</sup>/<sub>8</sub>" - 2<sup>1</sup>/<sub>2</sub>"
- Extended Components:
- 2<sup>1</sup>/<sub>2</sub>" & 3" Rosette Screws
- Long Double Cylinder Tailpiece
- Long Outside Entry Spindle
- 3" & 3<sup>1</sup>/<sub>2</sub>" Deadbolt Mounting Screws
- Extended Full-Lip Strike Plate
- Deadbolt Strike Plate

## Face and Strike Plates



## Deadbolt Strike Plates

