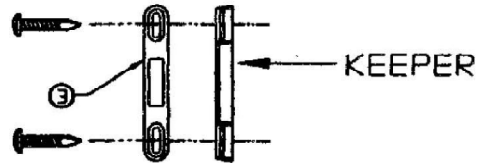
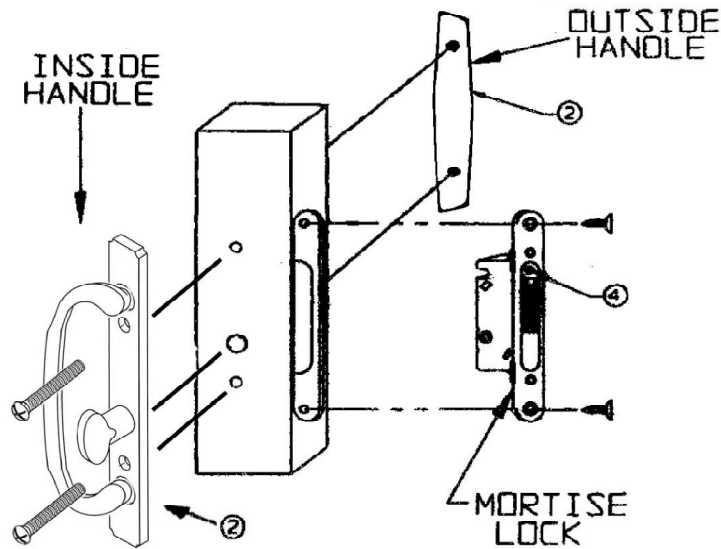
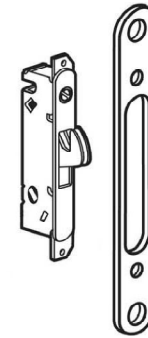


Replacement Solid Brass Sliding Patio Door Handle with Exterior Pull - Installation Instructions



(IF REPLACING THE MORTISE LOCK)
THE ADAPTER PLATE CAN BE REMOVED,
IF NOT NEEDED. ALSO, IF THE LOCK MOUNTING
HOLES DO NOT ALIGN WITH THE NEW ADAPTER
PLATE, THE OLD ADAPTER PLATE CAN BE
RE-INSTALLED ON THE NEW LOCK.



- ① INSERT THE #46 TAILPIECE INTO THE BACK OF THE THUMB TURN. (SEE THUMB TURN GRAPHIC) (HANDING INFORMATION ON BACK)
- ② PLACE THE INSIDE AND OUTSIDE HANDLES ON THE DOOR WITH BOTH HANDLES CURVED TOWARDS THE GLASS. INSTALL THE TWO LONG 10-24 MACHINE SCREWS THROUGH THE BASE PLATE AND TIGHTEN.
- ③ VERIFY THE KEEPER ON THE DOOR JAMB ALIGNS PROPERLY WITH THE HOOK ON THE MORTISE LOCK. ADJUST THE KEEPER HEIGHT FOR PROPER LATCH ENGAGEMENT AS NEEDED.
- ④ AFTER THE DOOR AND KEEPER ARE ALIGNED, THE HOOK THROW ON THE MORTISE LOCK MAY BE ADJUSTED BY TURNING THE SMALL SLOTTED SCREW.

