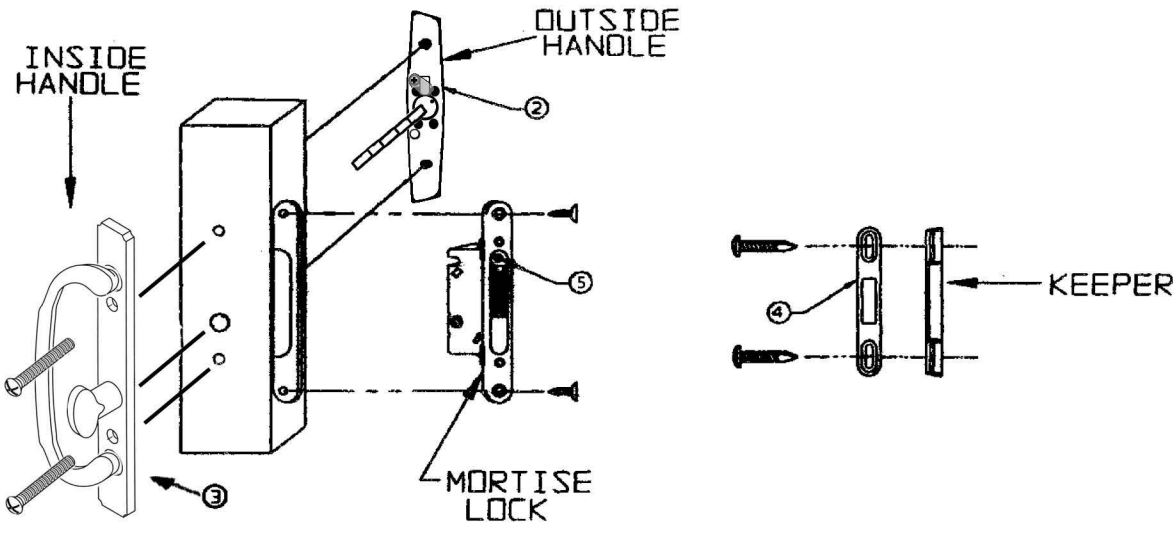


Replacement Solid Brass Sliding Patio Door Handle with Keyed Exterior Pull - Installation Instructions



(IF REPLACING THE MORTISE LOCK)
THE ADAPTER PLATE CAN BE REMOVED,
IF NOT NEEDED. ALSO, IF THE LOCK MOUNTING
HOLES DO NOT ALIGN WITH THE NEW ADAPTER
PLATE, THE OLD ADAPTER PLATE CAN BE
RE-INSTALLED ON THE NEW LOCK.

- ① DETERMINE HANDING AND KEY CYLINDER PLACEMENT FOR OUTSIDE HANDLE.
(SEE REVERSE SIDE OF INSTRUCTIONS)
- ② PLACE THE OUTSIDE HANDLE ON THE DOOR WITH THE KEY CYLINDER TAILPIECE
EXTENDING THROUGH THE HUB SLOT OF THE MORTISE LOCK AND THE INTERIOR
LATCH HOLE. (NOTE: THE LATCH HOLE MAY NEED TO BE DRILLED THROUGH THE
DOOR IF THERE IS NOT A MATCHING HOLE ON THE EXTERIOR SIDE OF THE DOOR.
REMOVE THE MORTISE LOCK BEFORE DRILLING THROUGH THE DOOR.)
- ③ PLACE THE INSIDE HANDLE AGAINST THE DOOR AND ALIGN THE SLOT ON THE BACK
OF THE THUMB TURN WITH THE KEY CYLINDER TAILPIECE. ALIGN THE SCREW HOLES
ON THE DOOR. SECURE THE TWO LONG 10-24 MACHINE SCREWS THROUGH THE
DOOR AND INTO THE OUTSIDE HANDLE, BUT DO NOT OVERTIGHTEN.
- ④ VERIFY THE KEEPER ON THE DOOR JAMB ALIGNS PROPERLY WITH THE HOOK ON THE
MORTISE LOCK. ADJUST THE KEEPER HEIGHT FOR PROPER LATCH ENGAGEMENT AS NEEDED.
- ⑤ AFTER THE DOOR AND KEEPER ARE ALIGNED, THE HOOK THROW ON THE MORTISE LOCK
MAY BE ADJUSTED BY TURNING THE SMALL SLOTTED SCREW.

