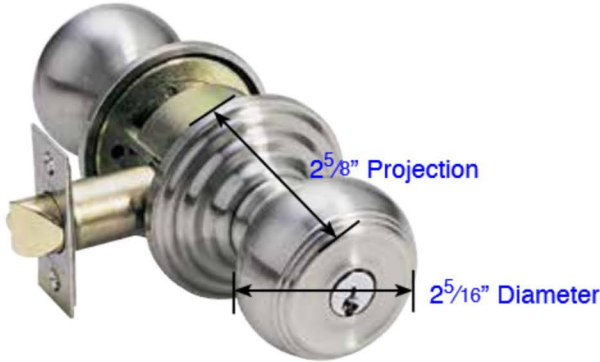
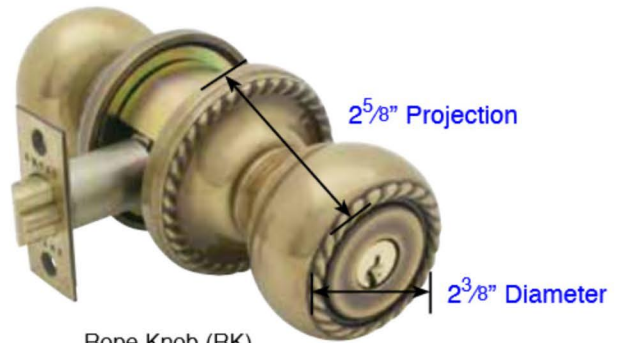


- Space between rosette and knob is approx. 1"



Waverly Knob (W)

- Space between rosette and knob is approx. 1"



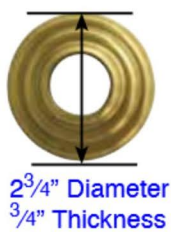
Rope Knob (RK)

- Space between rosette and knob is approx. 1"

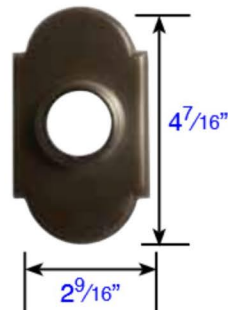
**Door Thickness Specifications:**

- Standard Door Thickness: 1 1/4" - 2 1/16"
- Extended Door Thickness Range: 2 1/16" - 2 3/4"

- \* Specify Door Thickness when ordering
- \* Extension Kit not available separately



3/4" Thickness



3/4" Thickness

