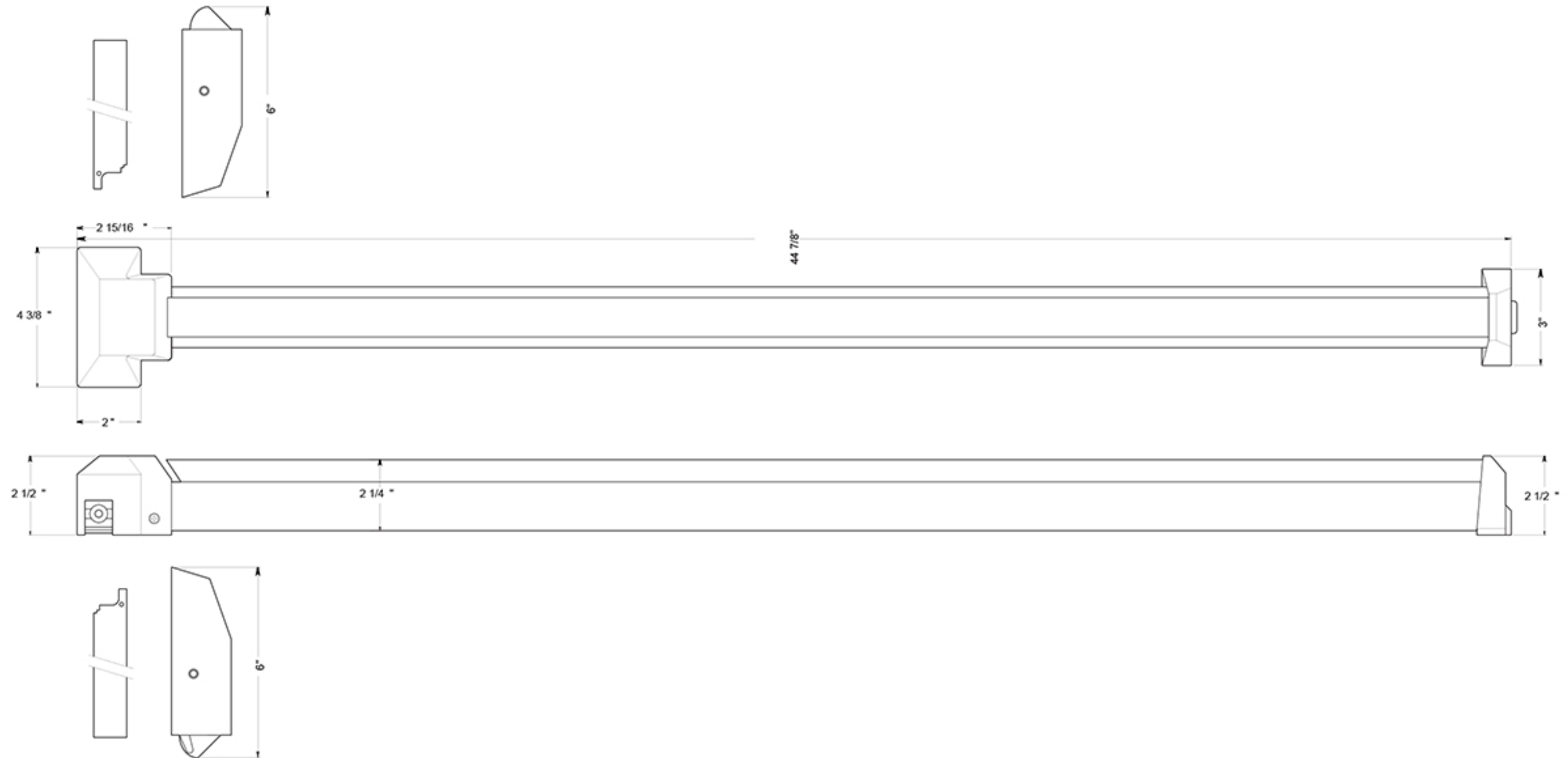


PDVR48

PANIC DEVICE 45" / VERTICAL ROD MOUNT / COLD ROLL STEEL



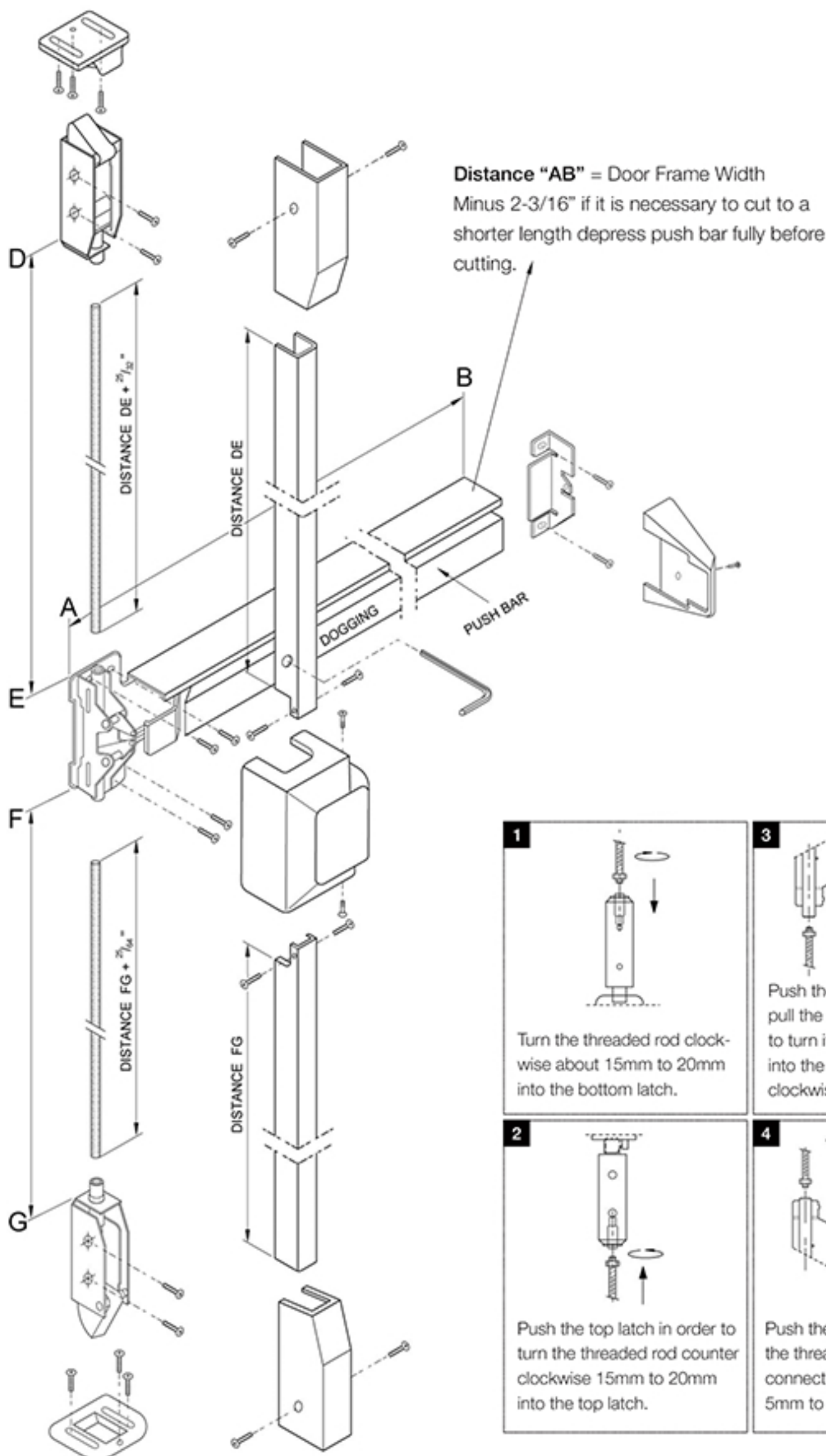
DRAWING NOT TO SCALE

NOTE: Deltana reserves the right to constantly improve its products and is not responsible for differences between the product in-hand and the specifications contained in this drawing. We do not recommend to pre-drill holes or pre-cut woods or metals based on the drawing information if the veracity of the specifications has not been proven by the live product.

PDVR48

PANIC DEVICE 45" / VERTICAL ROD MOUNT / COLD ROLL STEEL

REVERSIBLE INSTALLATION INSTRUCTIONS / LHR DOOR SHOWN, RHR DOOR OPPOSITE



Material: Push bar of aluminum extruded, steel pressed or stainless steel pressed and spring of stainless steel.

Latch Bolt: 3/4" throw, stainless steel.

Dead Latch Bolt: 5/8" stainless steel.

Strike: For 5/8" stop, plus shim for 1/2" stop.

Proyection: 2-1/2" maximum, 1-7/8" pressed.

Reversible: Non-handed, reversible for all functions and trims.

For Door: 1-3/4" thick standard. Specify if other than 1-3/4".

Dogging: 1-4" turn hex key dogging.

Backset: 2-3/4"

Door width: 3" Standard for door widths of 2' - 6" to 3' - 0" and 4" standard for door widths of 3' - 0" to 4' - 0".

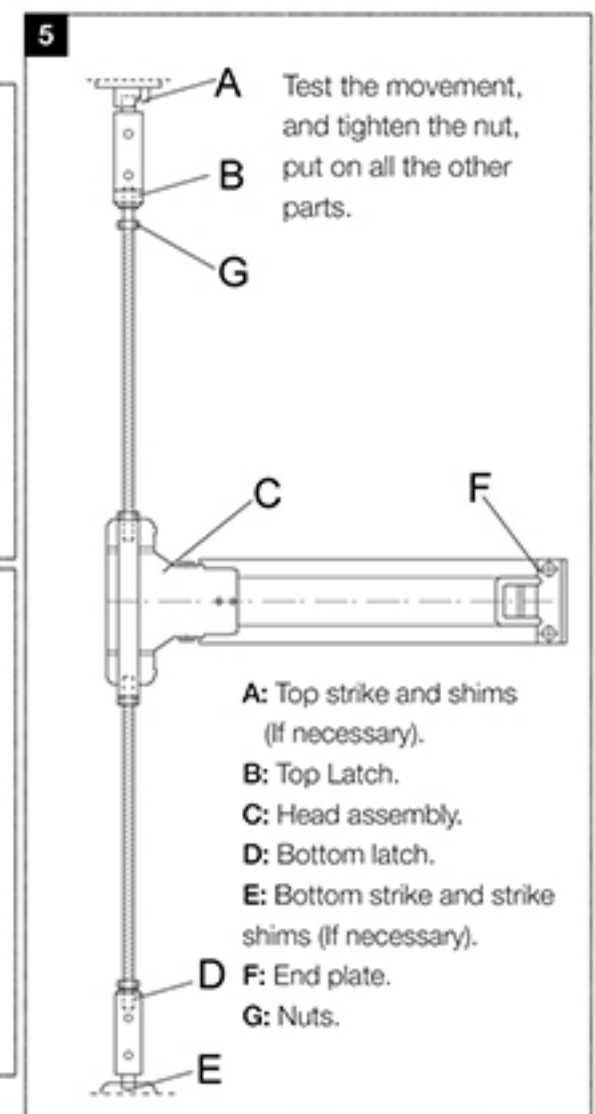
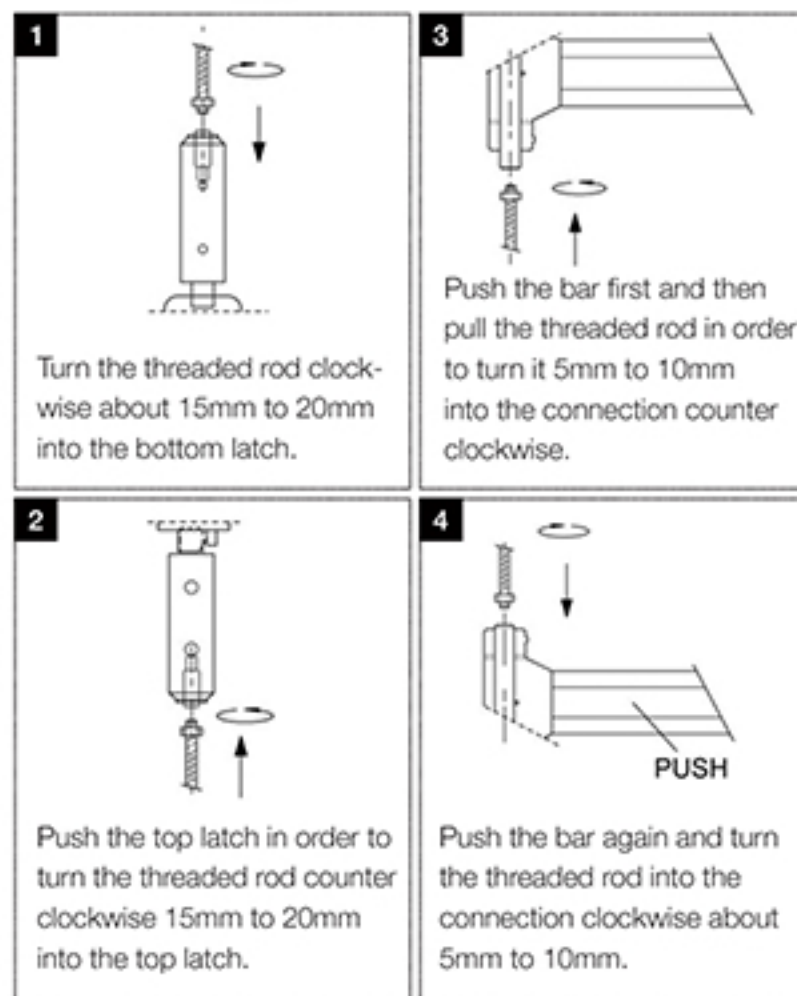
Mounting height: 40-5/16" from CL to finished floor recommended.

Mounting: Furnished standard with metal sheet & machine screw or SNB as option.

Cylinders: For trim, knob, lever and thumb-press type, Schlage C" keyway.

Operation: Inside be slight pressure on any point of the push bar at all time.

Models: Rim type and Vertical rod type available.



DRAWING NOT TO SCALE

NOTE: Deltana reserves the right to constantly improve its products and is not responsible for differences between the product in-hand and the specifications contained in this drawing. We do not recommend to pre-drill holes or pre-cut woods or metals based on the drawing information if the veracity of the specifications has not been proven by the live product.