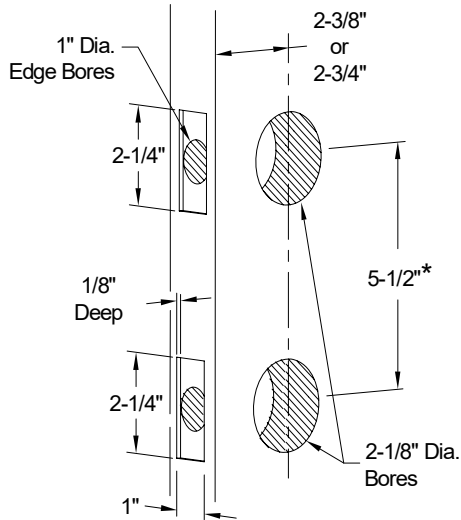
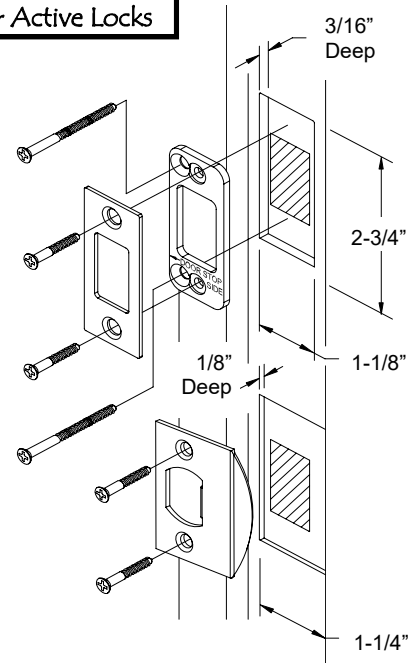


Installation Instructions-Tubular Monolithic Entry Set - Double Cylinder Deadbolt

Door Prep - Active Lock



Door Jamb for Active Locks

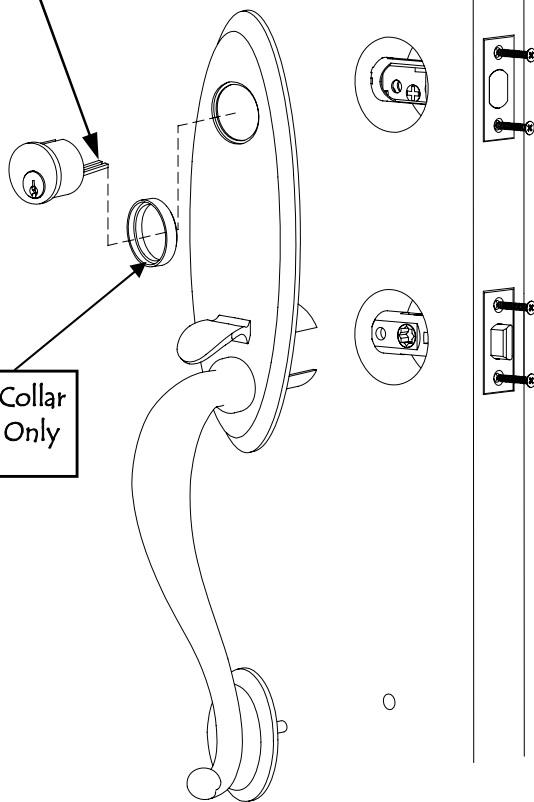


*Marietta-6 locks have 6" center bore spacing.

Outside Trim

Tailpiece Horizontal

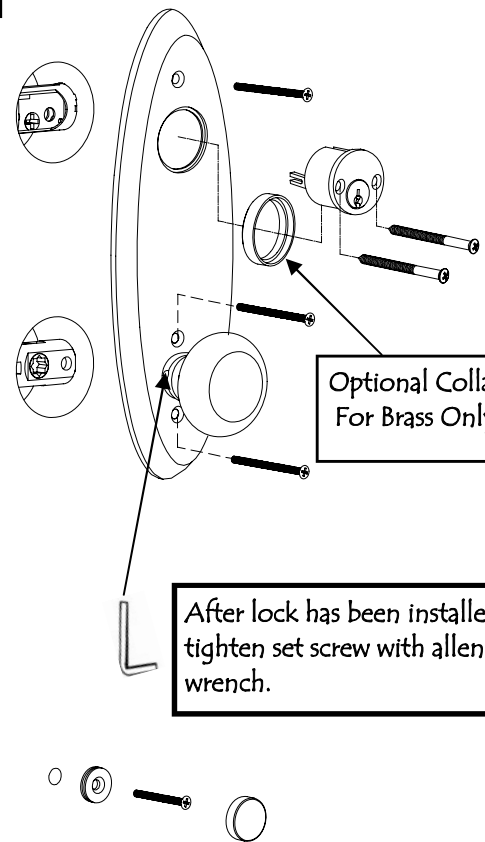
Optional Collar For Brass Only



Inside Trim

Optional Collar For Brass Only

After lock has been installed tighten set screw with allen wrench.



Plates and grip vary depending on style.