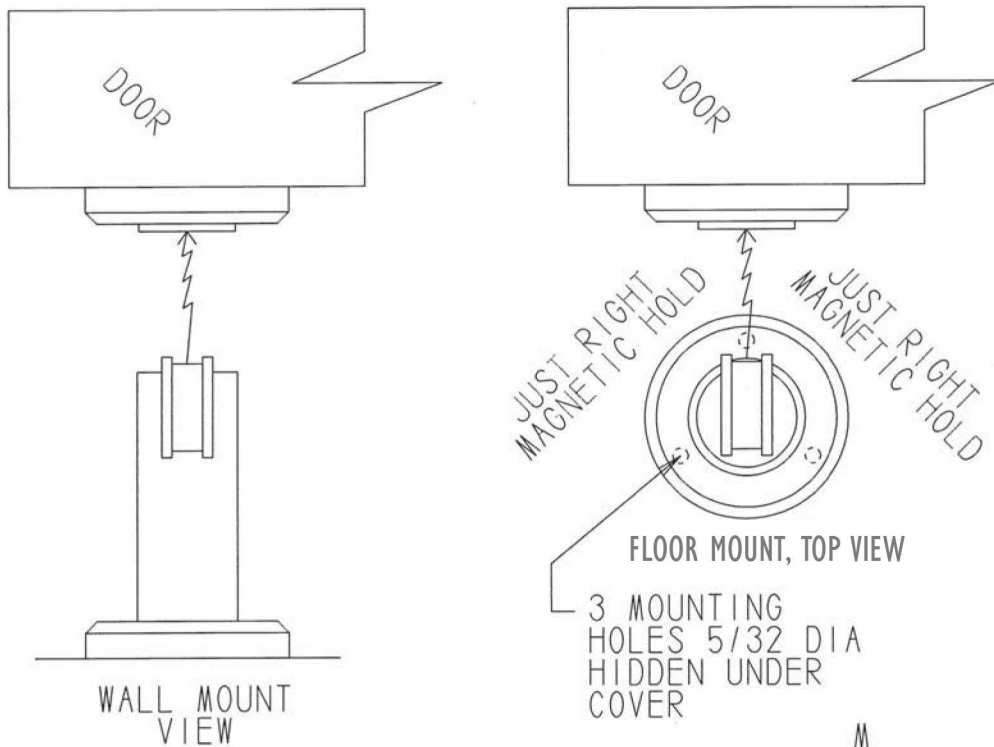
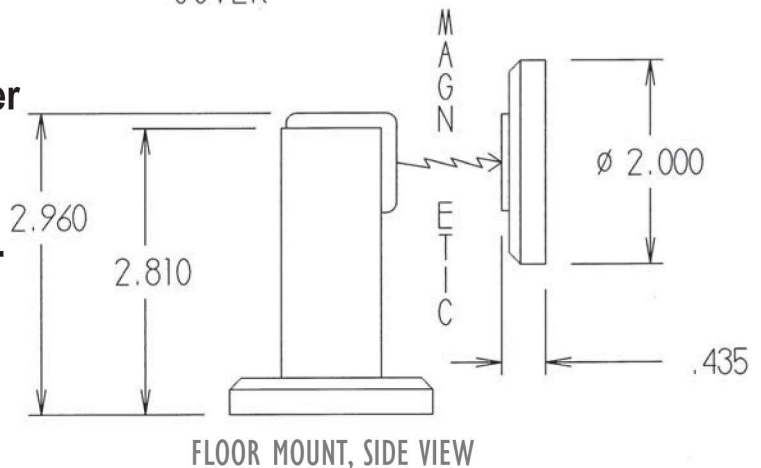


Magnetic Door Stop-Holder



Install the Door Stop-Holder at the maximum opened position of the door or at desired stopping position.



- To operate: Open door until it engages with the door stop-holder.
- Magnet on the door stop-holder will keep door open.
- To disengage, pull door away from the door stop-holder.