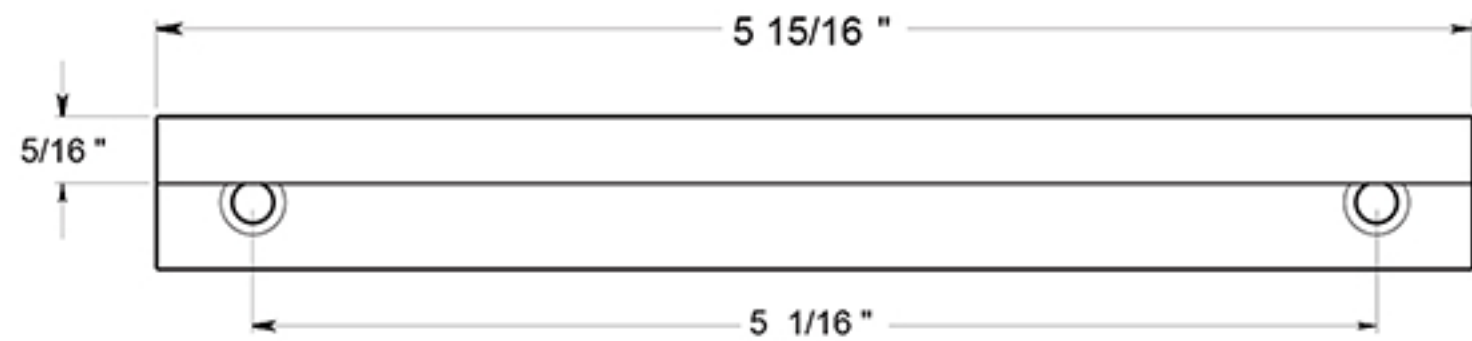
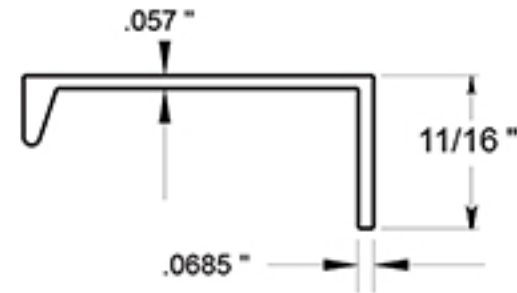


# MP578

MODERN CABINET PULL / 5-7/8" / ALUMINUM

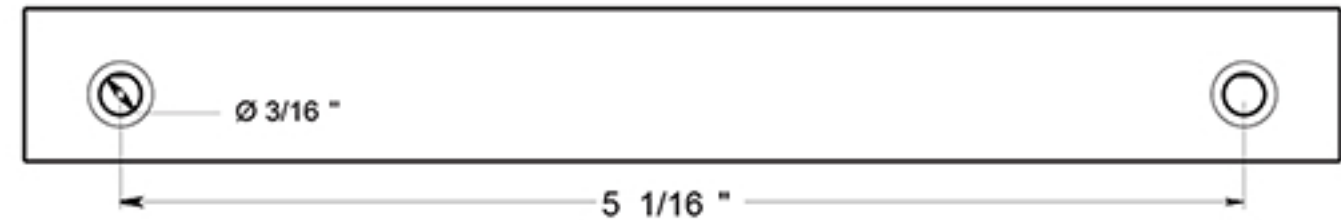
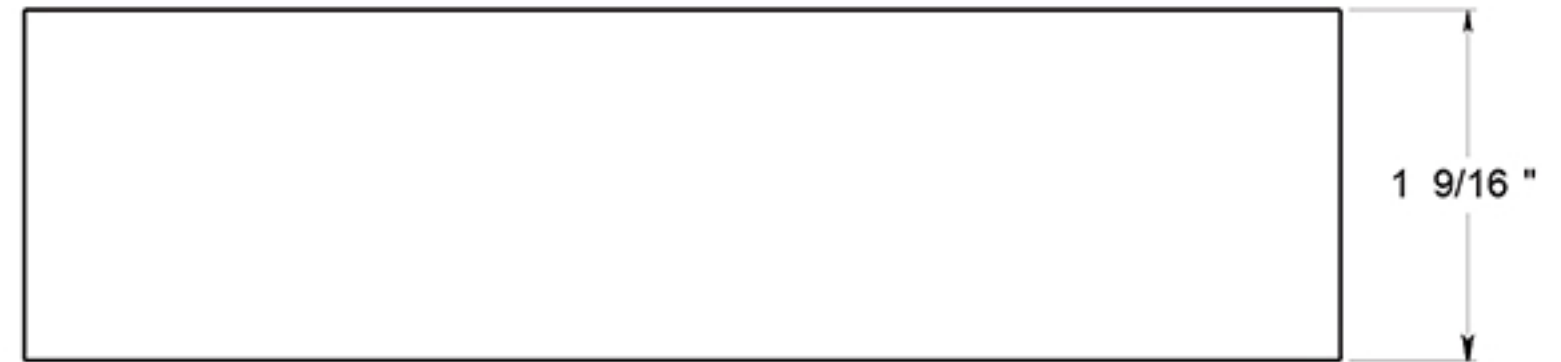


PROFILE

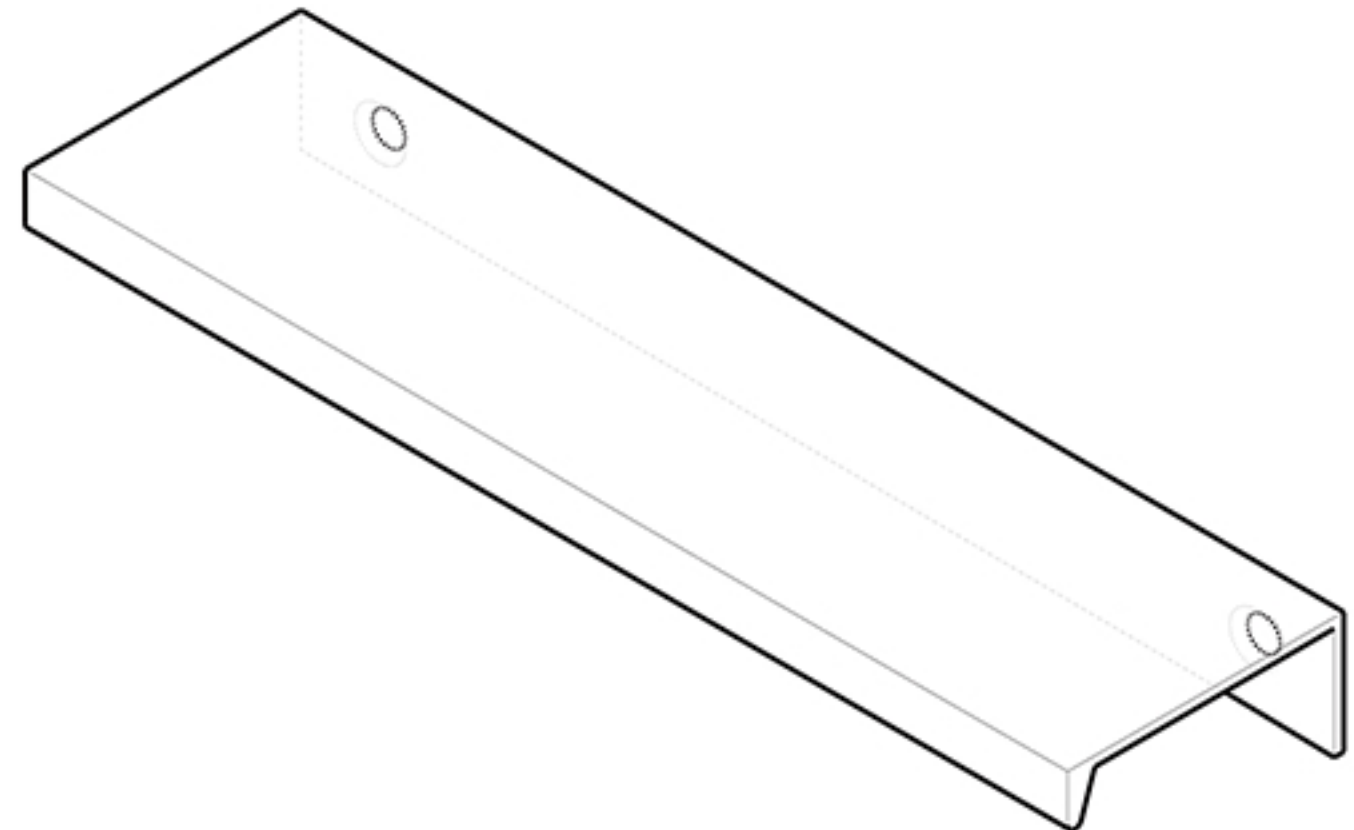


FRONT

TOP



BACK



DRAWING NOT TO SCALE

NOTE: Deltana reserves the right to constantly improve its products and is not responsible for differences between the product in-hand and the specifications contained in this drawing. We do not recommend to pre-drill holes or pre-cut woods or metals based on the drawing information if the veracity of the specifications has not been proven by the live product.