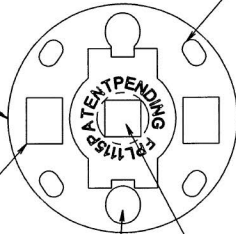


Lever Spring Assist

SLOTS FOR ADJUSTING
POST CLOSER
TO TUBULAR LATCH.

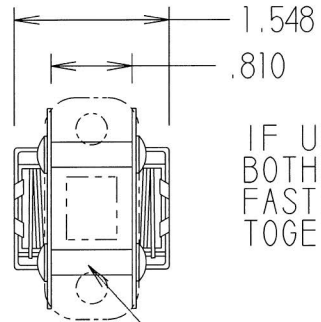
1.990 \varnothing



CLEARANCE PORT
FOR PRIVACY
BUTTON HARDWARE.

8mm
SQUARE HUB

CLEARANCE PORT
FOR THRU BOLTING
ROSETTES.



IF USING 2
BOTH CAN
FASTEN
TOGETHER.

1/4 \varnothing POST