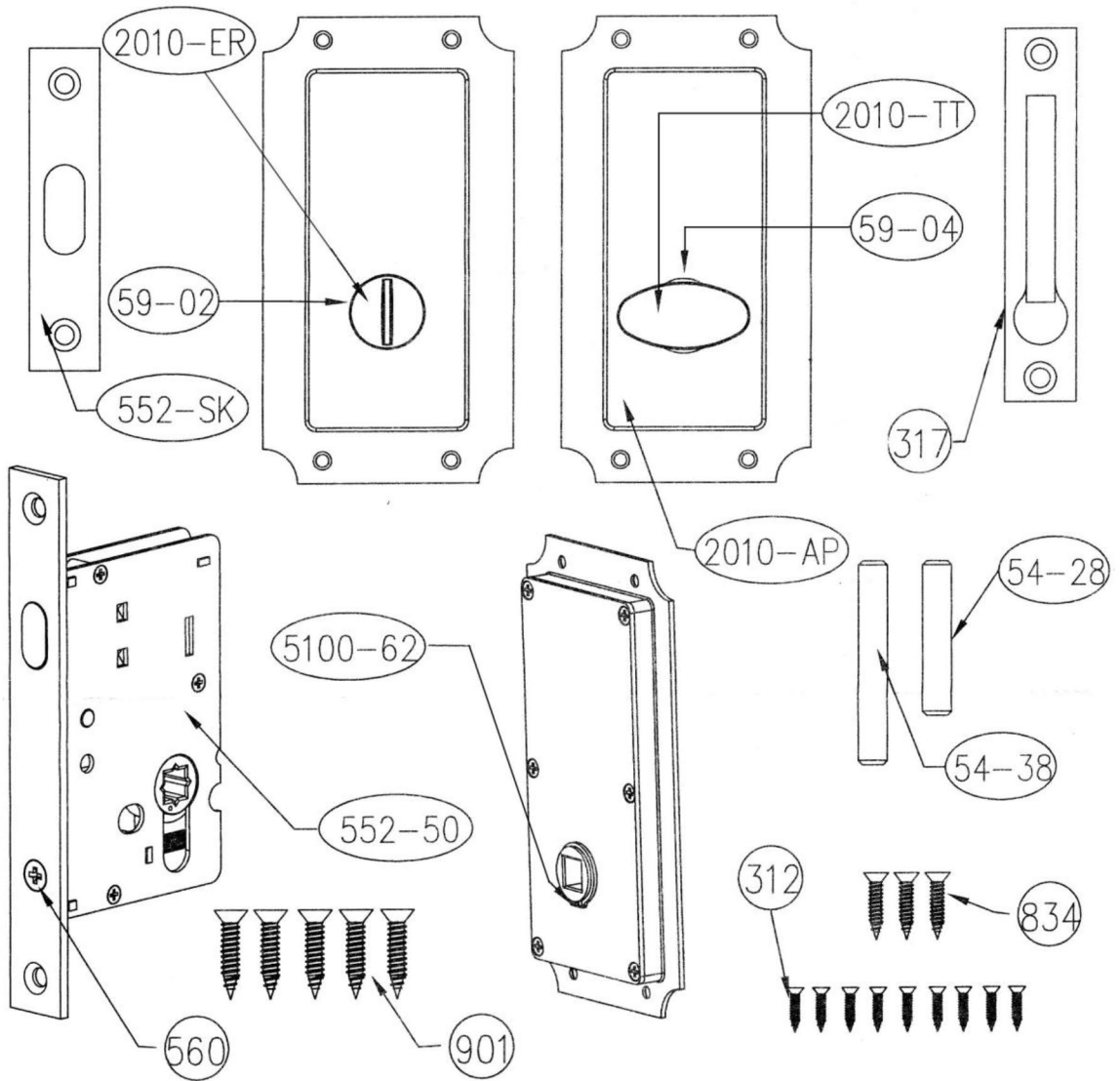


MANOR PRIVACY



PART NO.	ITEM	Q'TY
834	#8X3/4" WOOD SCREW FOR EDGE PULL MOUNTING	3
901	#9X1" WOOD SCREW FOR LOCK AND STRIKE	5
312	#3X1/2" WOOD SCREW FOR PLATE MOUNTING	9
560	M5X60mm CYLINDER SCREW (MOUNTED)	1
54-28	SPINDLE 8mm X 28mm	1
54-38	SPINDLE 8mm X 38mm	1
59-02	PLASTIC WASHER (.02")(MOUNTED W/ER)	1
59-04	PLASTIC WASHER (.04")(MOUNTED W/ER)	1
552-50	MORTISE LOCK	1

PART NO.	ITEM	Q'TY
552-SK	STRIKE	1
2010-AP	MANOR ACTIVE PLATE	2
2010-TT	THUMB TURN (MOUNTED)	1
2010-ER	EMERGENCY RELEASE (MOUNTED)	1
317	SLIDING DOOR EDGE PULL	1
1062	FINISH CARE INSTRUCTIONS	1
1066	PARTS LIST SHEET (THIS SHEET)	1
1131	INSTALLATION INSTRUCTIONS	1
5100-62	EXTERNAL SNAP RING (FR-AE)	2