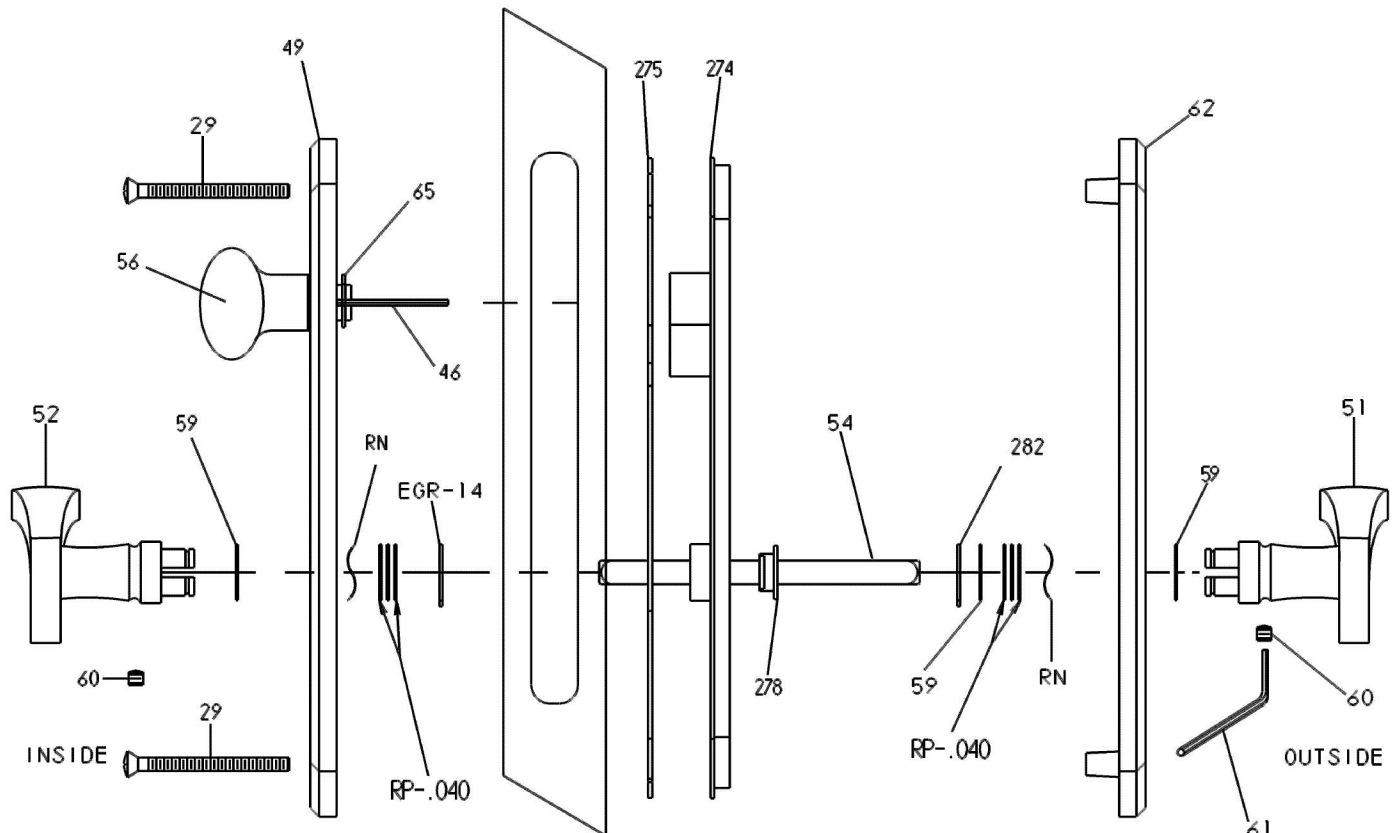


INACTIVE SET INSTALLATION INSTRUCTIONS

ATTENTION HOME OWNERS, PAINTERS & INSTALLERS! DO NOT USE any solvents, polishes, cleansers or abrasive on the door hardware! These will ruin the hardware's finish and void all warranties. If the doors are to be painted, it is important to remove the hardware before doing so to prevent any overspray or spillage on the hardware. To clean: use a soft cloth with mild soapy water, rinse & dry with a soft cloth.

NOTE: For installation convenience, the screw kit may include (1) extra plate mounting screw (29) & (1) set screw (60).

1. Determine the handing of door. Some sets will have handed left & right levers and some sets will have non-handed levers. Determine which lever is to be on the outside.
2. Attach outside lever to outside escutcheon plate by placing nylon washer (59) over the hub of outside lever. Take the outside escutcheon plate (62) and insert the outside lever's hub into lever hole on outside escutcheon plate (62). On the back side of outside escutcheon plate (62), place wavy washer (RN), 3 spacers (RP-.040) & then nylon washer (59) over the hub of the outside lever projecting through outside escutcheon plate (62). Attach retaining c-clip (282) into groove on lever hub with slip joint pliers. Repeat these same steps for attaching inside lever to inside escutcheon plate (49) using only RN, RP-.040 & ERG-14 retaining e-clip.
3. Insert set screws (60) into levers (51 & 52) if not already done so.
4. Insert spindle (54) into outside lever & escutcheon plate (62) assembly, as far as possible until it stops, making sure the split in the spindle will receive the set screw (60) on the lever. This will insure a better seal between spindle grommet (278) & water shield (274). Tighten set screw (60) to spindle (54). Slide spindle grommet (278) as illustrated onto spindle about half-way.
5. Install water shield gasket (275) onto water shield (274) as illustrated.
6. Insert water shield (274) with water shield gasket (275) into exterior escutcheon plate (62). Use the water shield (274) to press the spindle grommet (278) onto the spindle (54) & escutcheon plate screw posts. When finished, there should be 1/8" spindle grommet (278) protruding through the water shield (274). If not, then remove water shield (274) & slide the spindle grommet (278) to the half-way distance on the spindle (54). Then repeat step 6.
7. Take outside escutcheon plate (62), lever, spindle, water shield & water shield gasket already attached and feed spindle (54) through the panel.
8. Insert tail piece (46) into slot on thumb turn (56). Turn retaining ring (65) on thumb turn hub (56) already mounted on inside escutcheon plate (49) until it is blocking slot on thumb turn (56) so half cylinder tail piece (46) stays in position.
9. Take inside escutcheon plate (49) with lever & tail piece (46) already attached & feed into mechanism already installed on the door & spindle (54) is inserted into inside lever.
10. Attach outside and inside escutcheon plates together with the escutcheon plate mounting screws (29). Carefully tighten screws (29) evenly. However, do not tighten screws all the way.
11. Make sure the hardware functions properly by testing the levers and thumb turn. Align as needed to function well, then, tighten mounting screws (29) the rest of the way and then the set screw (60) on inside lever.



P/N 69