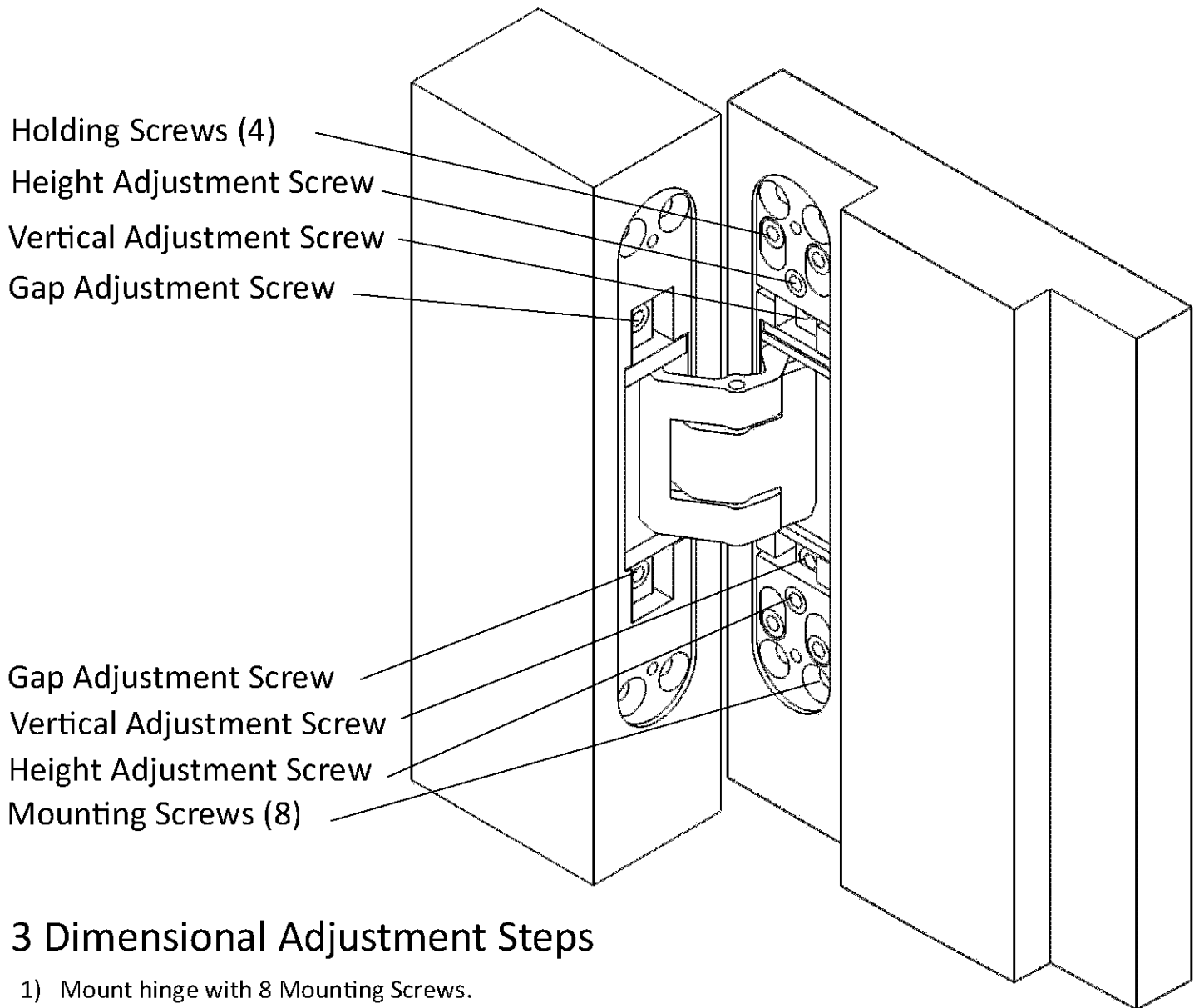


# Concealed Hinge CH3D-176 Instructions

2 Hinges Will Support Up To 176 Pound Door Panel.



## 3 Dimensional Adjustment Steps

- 1) Mount hinge with 8 Mounting Screws.
- 2) Height adjustment. Loosen all 4 Holding Screws. Be sure that both Height Adjustment Screws are loose. To raise door panel turn the lower Height Adjustment Screw clockwise. To lower door panel turn the lower Height Adjustment Screw counter-clockwise. Tighten the 4 Holding Screws after adjusting height.
- 3) Vertical adjustment. Loosen upper and lower Vertical Adjustment Screws. Nest door in door jamb and to seat against weather-stripping if present. Tighten Vertical Adjustment Screws.
- 4) Gap adjustment. For a smaller gap around the door in the door jamb, turn Gap Adjustment Screw clockwise. For a larger gap around door in the jamb, turn Gap Adjustment Screw counter-clockwise.
- 5) Install the 4 adjustment screw covers with included screws.