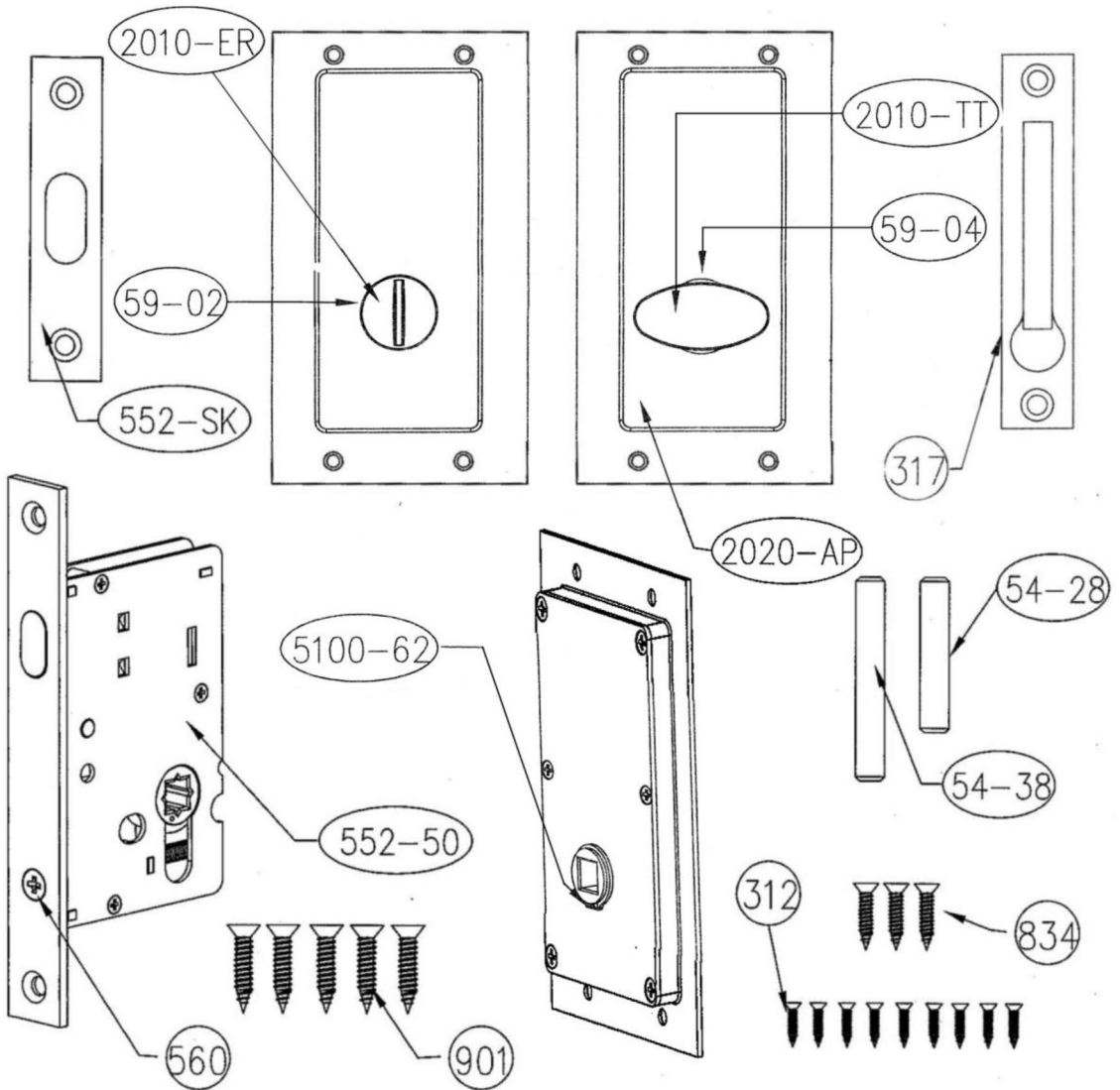


ANACAPA PRIVACY



PART NO.	ITEM	QTY	PART NO.	ITEM	QTY
834	#8X3/4" WOOD SCREW FOR EDGE PULL MOUNTING	3	552-SK	STRIKE	1
901	#9X1" WOOD SCREW FOR LOCK AND STRIKE	5	2020-AP	ANACAPA ACTIVE PLATE	2
312	#3X1/2" WOOD SCREW FOR PLATE MOUNTING	9	2010-TT	THUMB TURN (MOUNTED)	1
560	M5X60mm CYLINDER SCREW (MOUNTED)	1	2010-ER	EMERGENCY RELEASE (MOUNTED)	1
54-28	SPINDLE 8mm X 28mm	1	317	SLIDING DOOR EDGE PULL	1
54-38	SPINDLE 8mm X 38mm	1	1062	FINISH CARE INSTRUCTIONS	1
59-02	PLASTIC WASHER (.02") (MOUNTED W/ER)	1	1069	PARTS LIST SHEET (THIS SHEET)	1
59-04	PLASTIC WASHER (.04") (MOUNTED W/ER)	1	1131	INSTALLATION INSTRUCTIONS	1
552-50	MORTISE LOCK	1	5100-62	EXTERNAL SNAP RING (FR-AE)	2