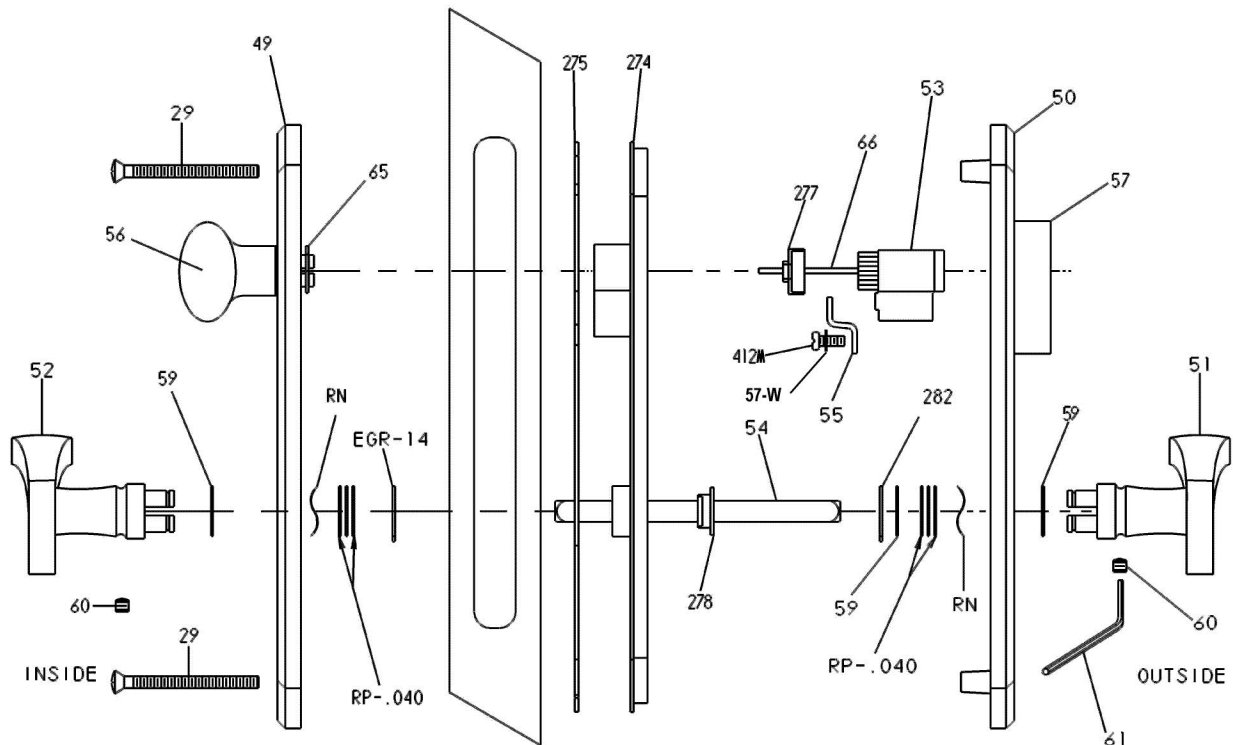


ACTIVE SET INSTALLATION INSTRUCTIONS

ATTENTION HOME OWNERS, PAINTERS & INSTALLERS! DO NOT USE any solvents, polishes, cleansers or abrasives on the door hardware! These will ruin the hardware's finish and void all warranties. If the doors are to be painted, it is important to remove the hardware before doing so to prevent any overspray or spillage on the hardware. To clean: use a soft cloth with mild soapy water, rinse & dry with a soft cloth.

NOTE: For installation convenience, the screw kit may include (1) extra plate mounting screw (29) & (1) set screw (60).

1. Insert key cylinder (53) into outside escutcheon plate (50) with bracket (55) and secure cylinder (53) into cylinder housing (57) with screw (412M) & washer (57-W).
2. Slide cylinder tail grommet (277) onto cylinder tail (66) as illustrated about half-way.
3. Determine the handing of door. Some sets will have handed left & right levers and some sets will have non-handed levers. Determine which lever is to be on the outside.
3. Attach outside lever to outside escutcheon plate (50) by placing nylon washer (59) over the hub of outside lever (51). Take the outside escutcheon plate (50) and insert the outside lever's hub into lever hole on outside escutcheon plate (50). On the back side of outside escutcheon plate (50), place wavy washer (RN), 3 spacers (RP-.040) & then nylon washer (59) over the hub of the outside lever projecting through outside escutcheon plate (50). Attach retaining c-clip (282) into groove on lever hub with slip joint pliers. Repeat these same steps for attaching inside lever to inside escutcheon plate (49) using only RN, RP-.040 & ERG-14 retaining e-clip.
4. Insert set screws (60) into levers (51 & 52) if not already done so.
5. Insert spindle (54) into outside lever & escutcheon plate (50) assembly, as far as possible until it stops, making sure the split in the spindle will receive the set screw (60) on the lever. This will insure a better seal between spindle grommet (278) and water shield (274). Tighten set screw (60) to spindle (54). Slide spindle grommet (278) as illustrated onto spindle about half-way.
6. Install water shield gasket (275) onto water shield (274) as illustrated.
7. Insert water shield (274) with water shield gasket (275) into exterior escutcheon plate. Use the water shield (274) to press the cylinder tail grommet (277) & spindle grommet (278) onto the cylinder tail (66), spindle (54) & escutcheon plate screw posts. When finished, there should be 1/32" cylinder tail grommet (277) & 1/8" spindle grommet (278) protruding through the water shield (274). If not, then remove water shield (274) & slide both grommets (277 & 278) to the half-way distance on the cylinder tail (66) and spindle (54). Then, repeat step 7.
8. Take outside escutcheon plate (50) with the key cylinder, lever with spindle, water shield & water shield gasket already attached & feed key cylinder tail (66) and spindle (54) through the panel.
9. Turn retaining ring (65) on thumb turn hub (56) already mounted on inside escutcheon plate (49) until it is blocking slot on thumb turn (56) so cylinder tail (66) stays in position. Install inside escutcheon plate (49) making sure the tail piece of the cylinder (66) is inserted into the slot on the thumb turn (56) & spindle (54) is inserted into inside lever (52).
10. Attach outside & inside escutcheon plates together with the escutcheon plate mounting screws (29). Carefully tighten screws (29) evenly. However, do not tighten screws all the way.
11. Make sure the hardware functions properly by testing the levers, thumb turn and key cylinder. Align as needed to function well, then, tighten mounting screws (29) the rest of the way and then the set screw (60) on inside lever.



P/N 67