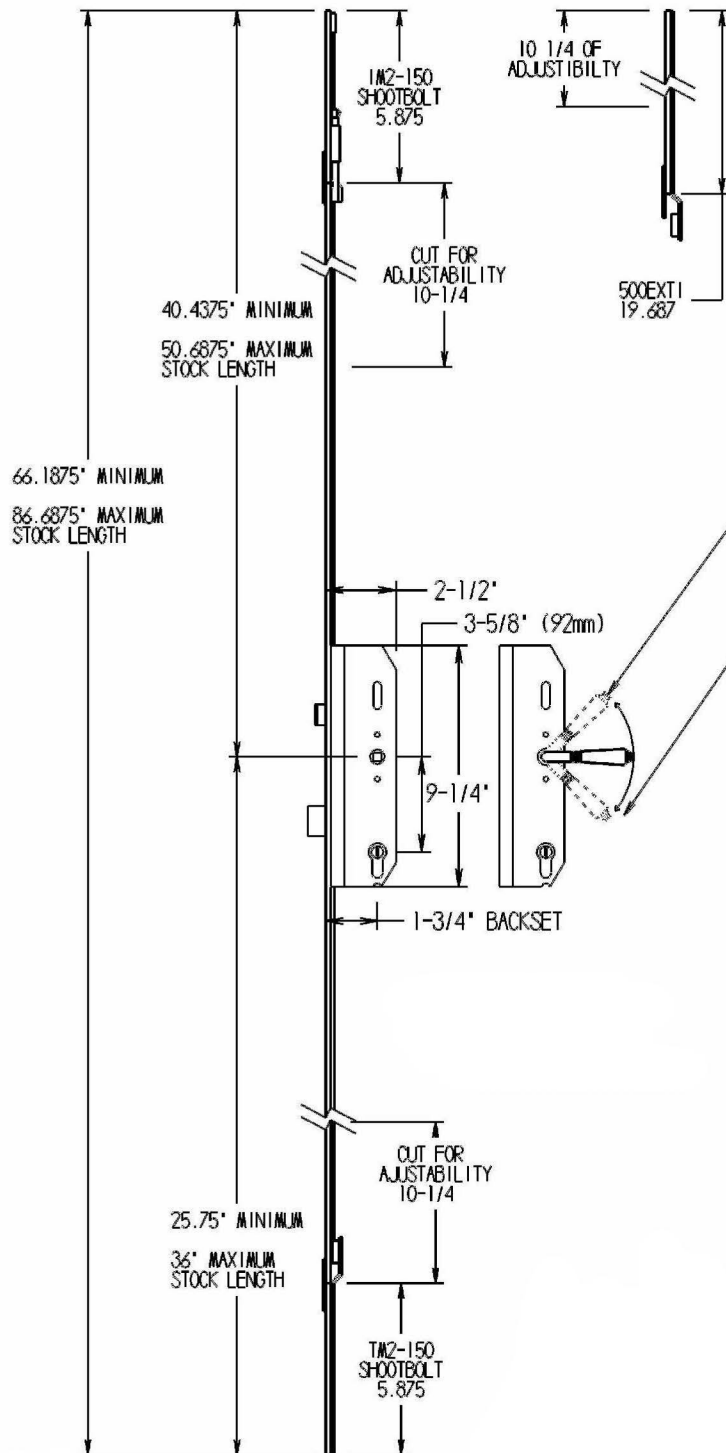


#7003; 3-Point Entrance Mortise Mechanism Stainless Steel Without Roller Cams



* ALL DADOE GROOVES MUST BE FREE OF ANY PARTICULATE OR SAWDUST BEFORE AND AFTER INSTALLATION.

Three locking points consisting of latch, deadbolt, top and bottom shootbolts.

*Use for active door or window.

*Material: Stainless Steel.

Function:

*To lock:
Lifting the lever up engages deadbolt and shootbolts. Turning the cylinder - extends deadbolt and locks all points into place.

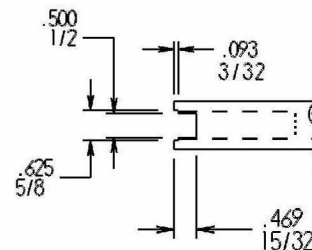
*To unlock:
Turn cylinder to unlock all points. Pushing the lever down will disengage deadbolt and shootbolts. Latch functions in unlocked position.

* Backset: 1-3/4" (45mm)

* Face plate width: 5/8" (16mm)

*Minimum height door: 66.1875".
Maximum height door: 86.6875".
w/o extensions.

7003 GROOVE DETAIL



FOR MECHANISM, CUT WIDTH .5625" (9/16") X 9-1/8" FOR LOCK HOUSING.