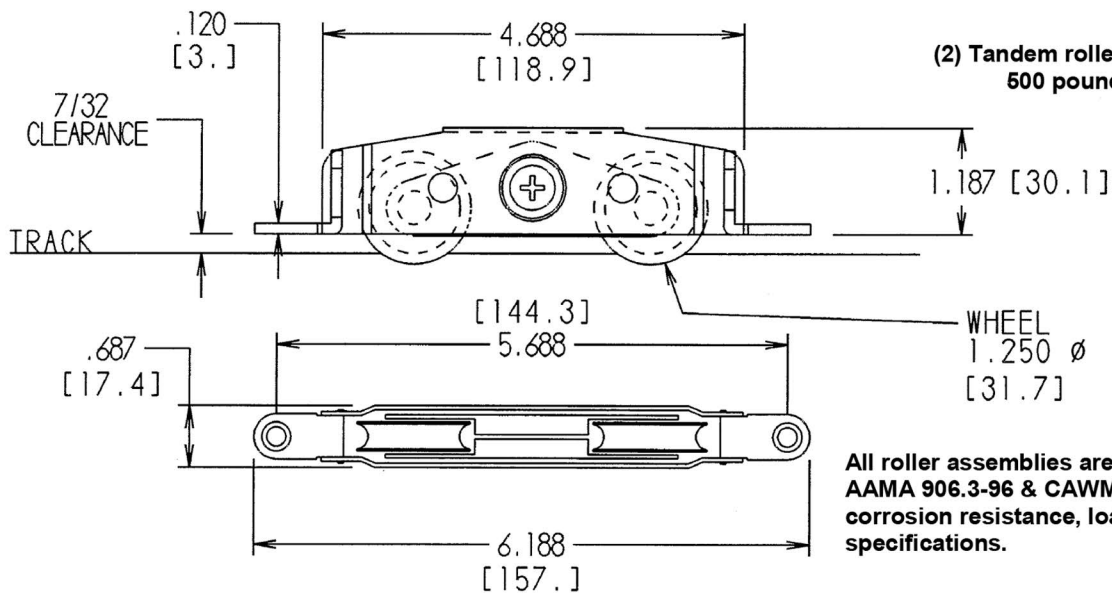


#3946 TANDEM ROLLER



All roller assemblies are designed to meet AAMA 906.3-96 & CAWM standards for corrosion resistance, load & life cycle specifications.