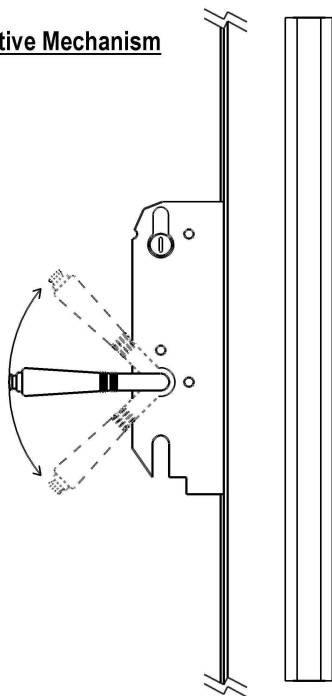
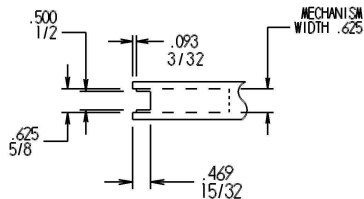
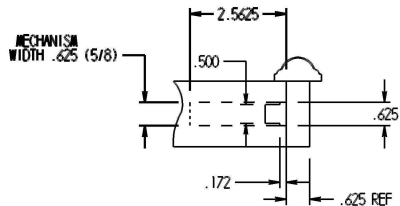
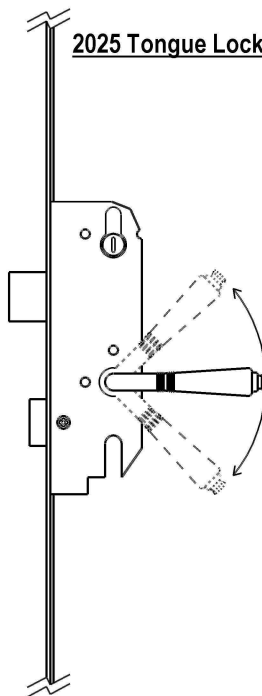


2030 Inactive Mechanism



2025 Tongue Lock Mechanism



LOCK MOUNTED
BEHIND T ASTRICAL.