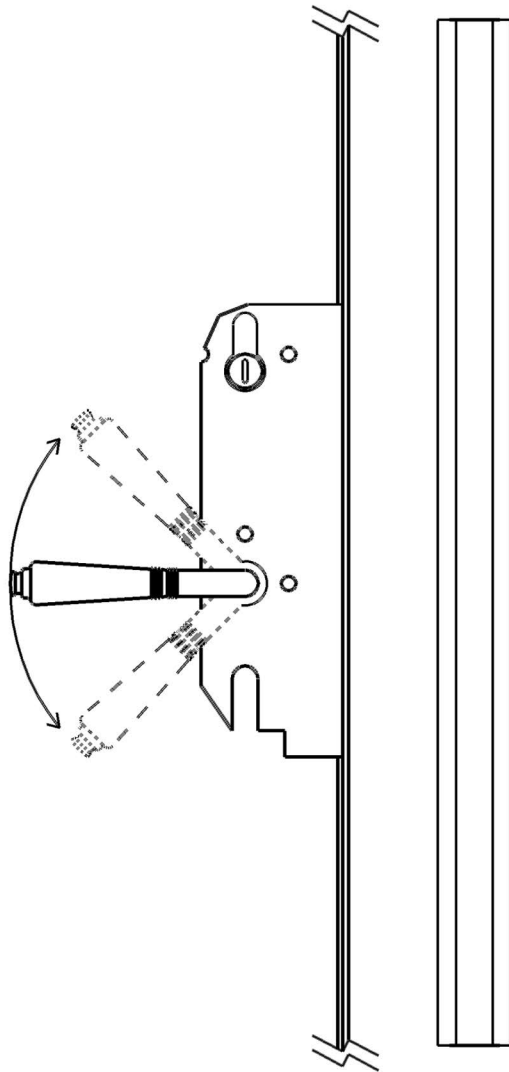
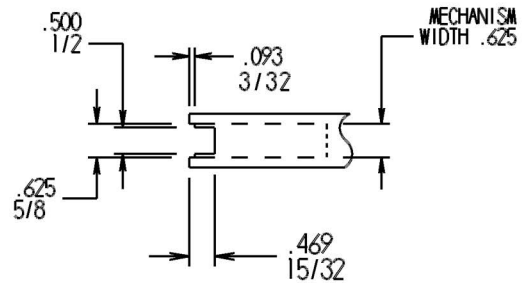
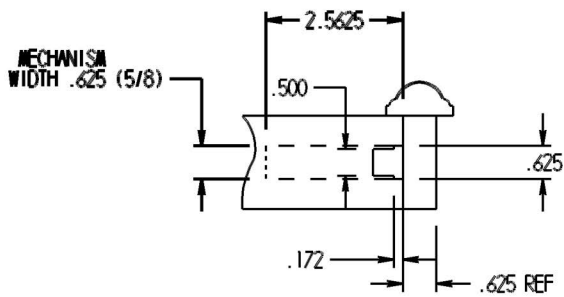
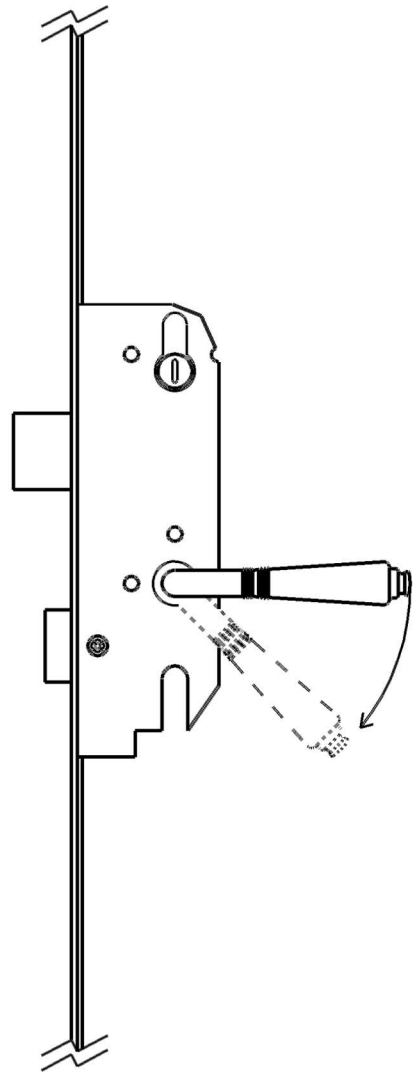


2030 Inactive Mechanism



2010 "Easy Lock" Mechanism



LOCK MOUNTED
BEHIND T ASTRICAL.