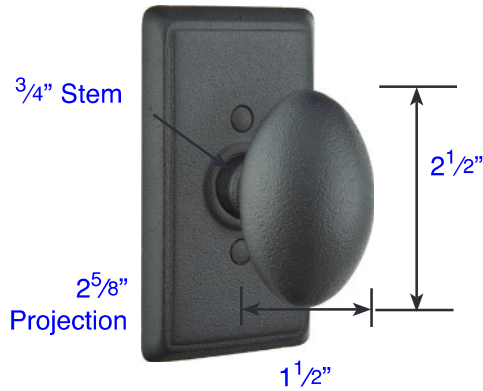
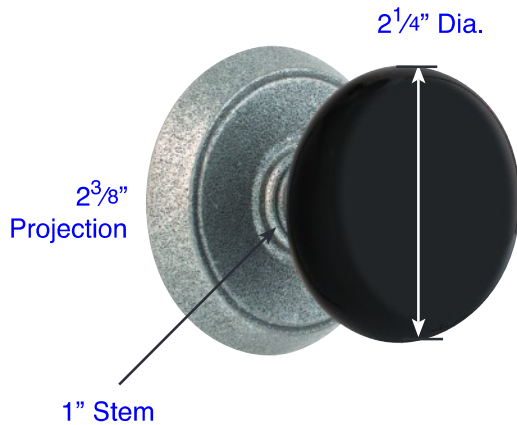


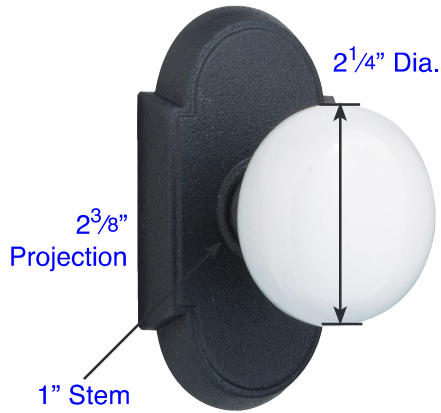
Jamestown (J)
with #3 Rosette



Savannah (SV)
with #3 Rosette



Madison Black (MB)
with #2 Rosette



Madison Ivory (MI)
with #1 Rosette

See page 28 for rosette specification.

Door Thickness Specifications

- Standard Door Thickness: 1³/₈" - 2"
- Standard Components:
 - Privacy Pin (for privacy sets)
 - Inside Passage Half Spindle
 - 1¹/₂" Rosette Screws
 - Full-Lip Strike Plate

- **Extended** Door Thickness: 2" - 2¹/₄"
- Extended Components:
 - Privacy Pin w/ Extension (for privacy sets)
 - Long Inside Passage Half Spindle
 - 2" Rosette Screws
 - Extended Full-Lip Strike Plate

- **Extended** Door Thickness: 2¹/₄" - 3"
- Extended Components:
 - Privacy Pin w/ Extension (for privacy sets)
 - Extra Long Inside Passage Half Spindle
 - 2¹/₂" Rosette Screws
 - Extended Full-Lip Strike Plate