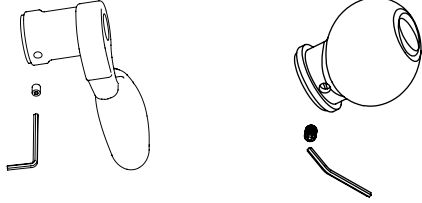


Installation Instructions: Key in Lever/Knob, Dummy

1 Preparation

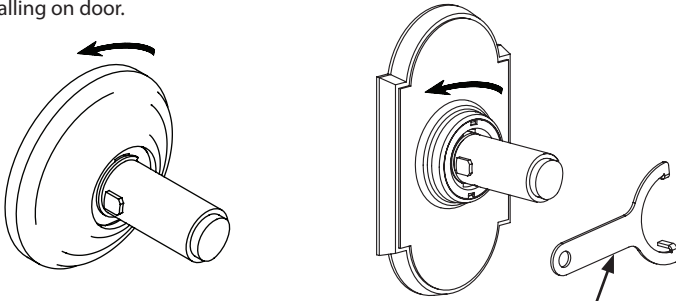
STEP 1

Remove inside lever or knob by loosening set screw w/ hex wrench (provided).



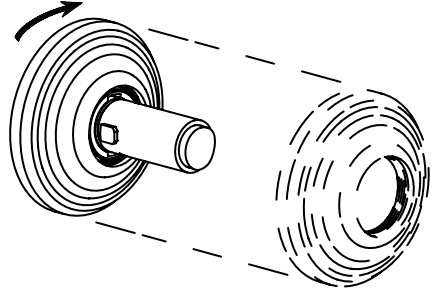
STEP 2

Unthread rosette counterclockwise to remove from housing before installing on door.

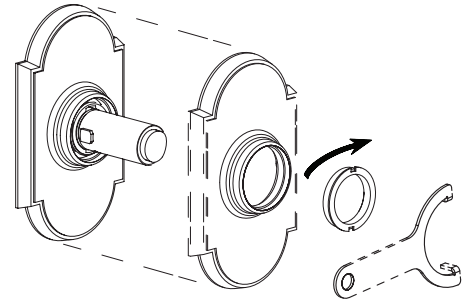


Unthread Locking Ring to remove Rosette with Spanner Wrench (provided)

3A Thread Rosette into housing

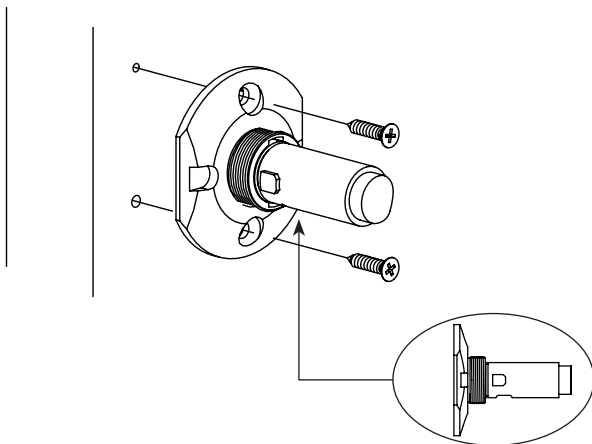


3B Secure Rosette with locking ring

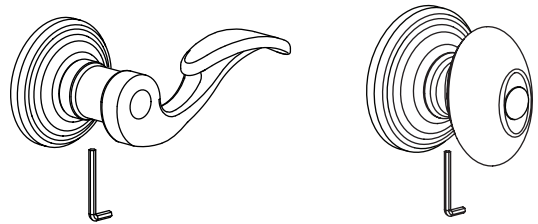


2 Installing Chassis

Install inner housing onto surface of door, orienting the notch on the housing to the bottom. The two wood screws should be located at the top and bottom.



4 Install lever or knob into housing



Tighten Set screw at bottom of lever or knob.

