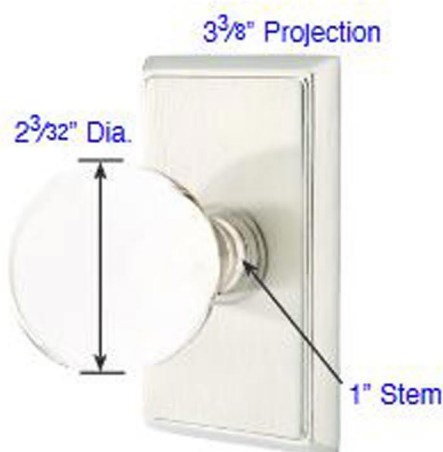
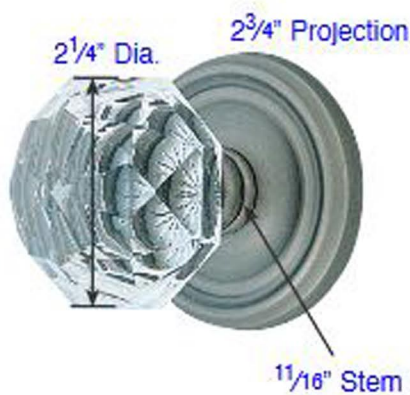




Astoria Clear (AS)
with Rope Rosette



Bristol (BL)
with Rectangular Rosette



Diamond (CK)
with Regular Rosette



Georgetown (GT)
with Lancaster Rosette

See page 16 for rosette specification.

Door Thickness Specifications

• Standard Door Thickness: 1 1/4" - 2"
Standard Components:

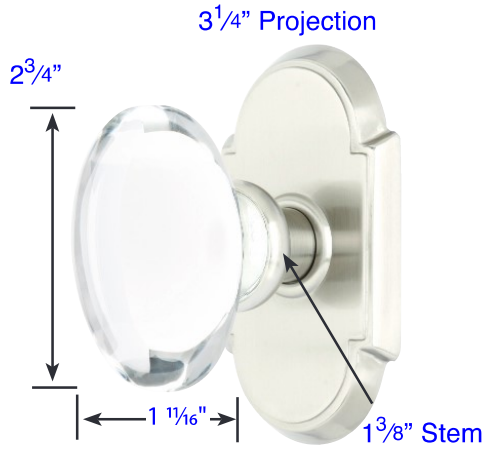
- Privacy Pin (for privacy sets)
- Inside Passage Half Spindle
- 1 1/2" Rosette Screws
- Full-Lip Strike Plate

• **Extended** Door Thickness: 2" - 2 1/2"
Extended Components:

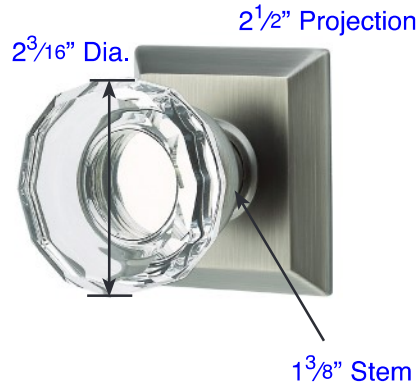
- Privacy Pin w/ Extension (for privacy sets)
- Long Inside Passage Half Spindle
- 2" Rosette Screws
- Extended Full-Lip Strike Plate

• **Extended** Door Thickness: 2 1/2" - 3"
Extended Components:

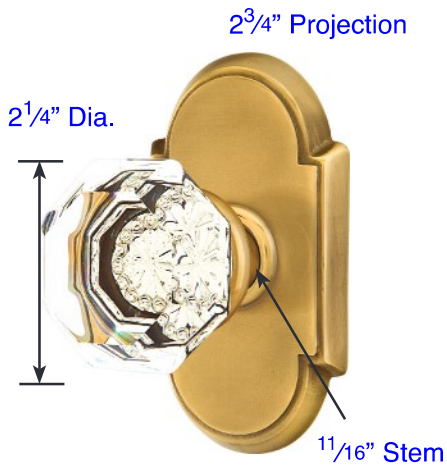
- Privacy Pin w/ Extension (for privacy sets)
- Extra Long Inside Passage Half Spindle
- 2 1/2" Rosette Screws
- Extended Full-Lip Strike Plate



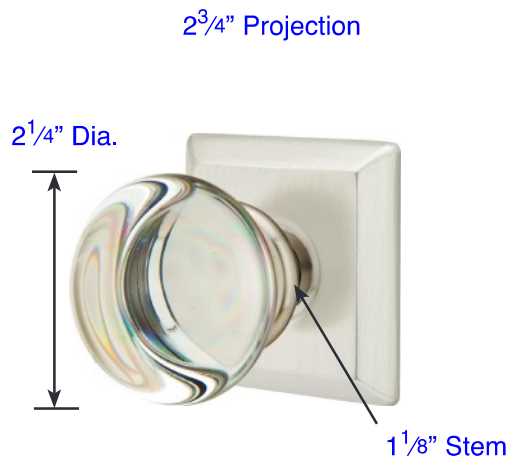
Hampton (HT)
with #8 Rosette



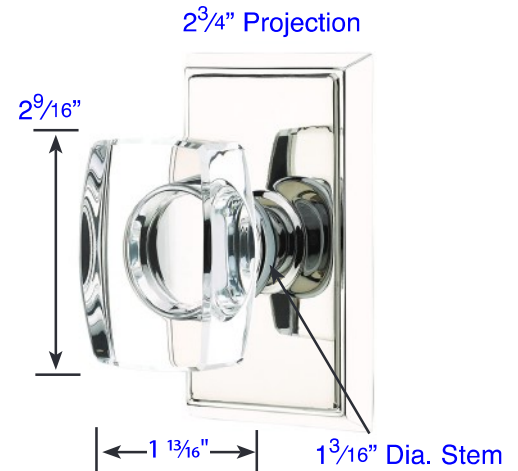
Lowell Crystal (LW)
with Quincy Rosette



Old Town - Clear (OT)
with #8 Rosette



Providence Crystal (PC)
with Quincy Rosette



Windsor (WS)
with Rectangular Rosette

See page 16 for rosette specification.

Door Thickness Specifications

- Standard Door Thickness: 1 1/4" - 2"
- Standard Components:
 - Privacy Pin (for privacy sets)
 - Inside Passage Half Spindle
 - 1 1/2" Rosette Screws
 - Full-Lip Strike Plate

- **Extended** Door Thickness: 2" - 2 1/2"
- Extended Components:
 - Privacy Pin w/ Extension (for privacy sets)
 - Long Inside Passage Half Spindle
 - 2" Rosette Screws
 - Extended Full-Lip Strike Plate

- **Extended** Door Thickness: 2 1/2" - 3"
- Extended Components:
 - Privacy Pin w/ Extension (for privacy sets)
 - Extra Long Inside Passage Half Spindle
 - 2 1/2" Rosette Screws
 - Extended Full-Lip Strike Plate