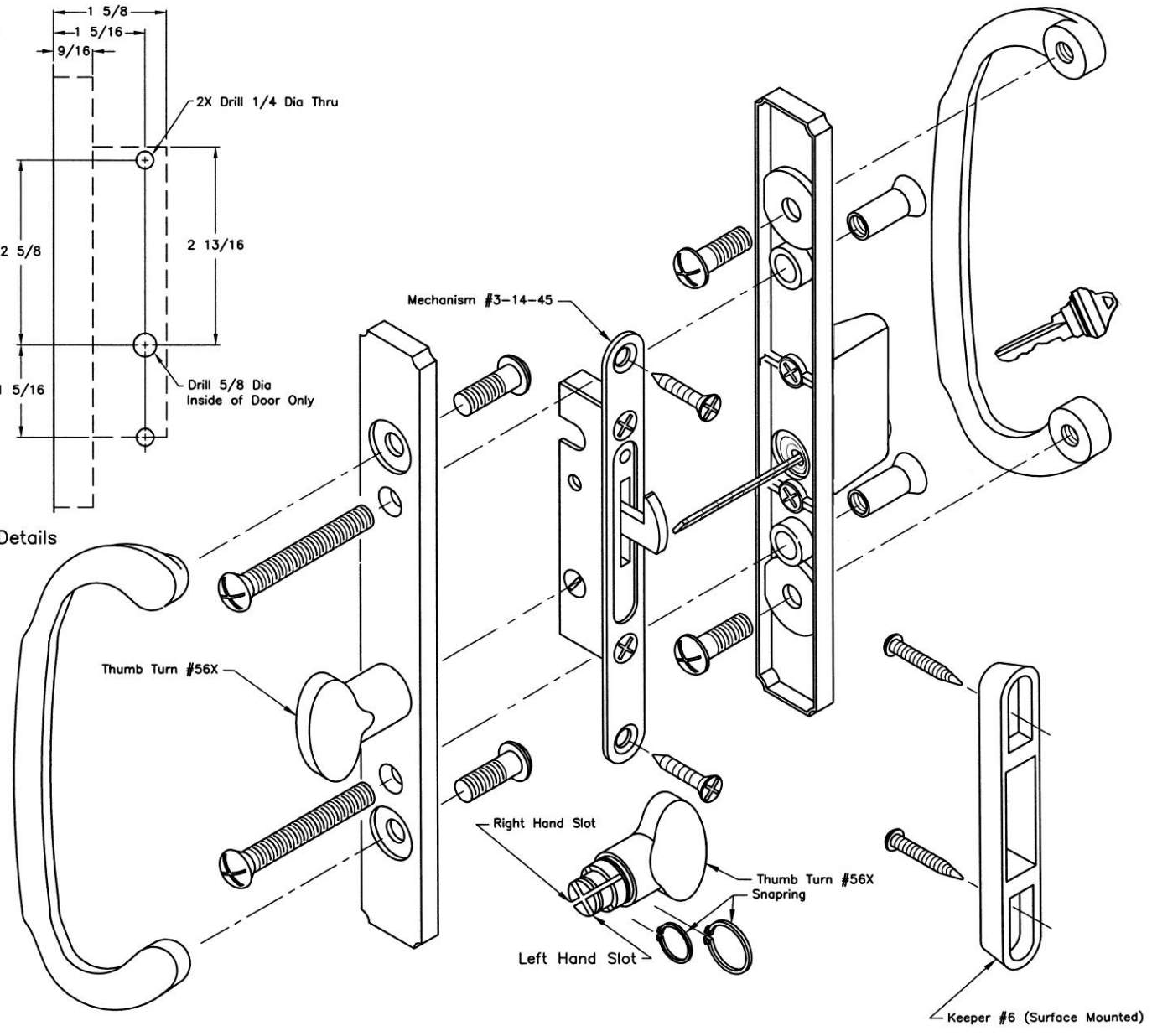


Milling Details



Thumb Turn #56X

Mechanism #3-14-45

Right Hand Slot

Left Hand Slot

Thumb Turn #56X Snapping

Keeper #6 (Surface Mounted)