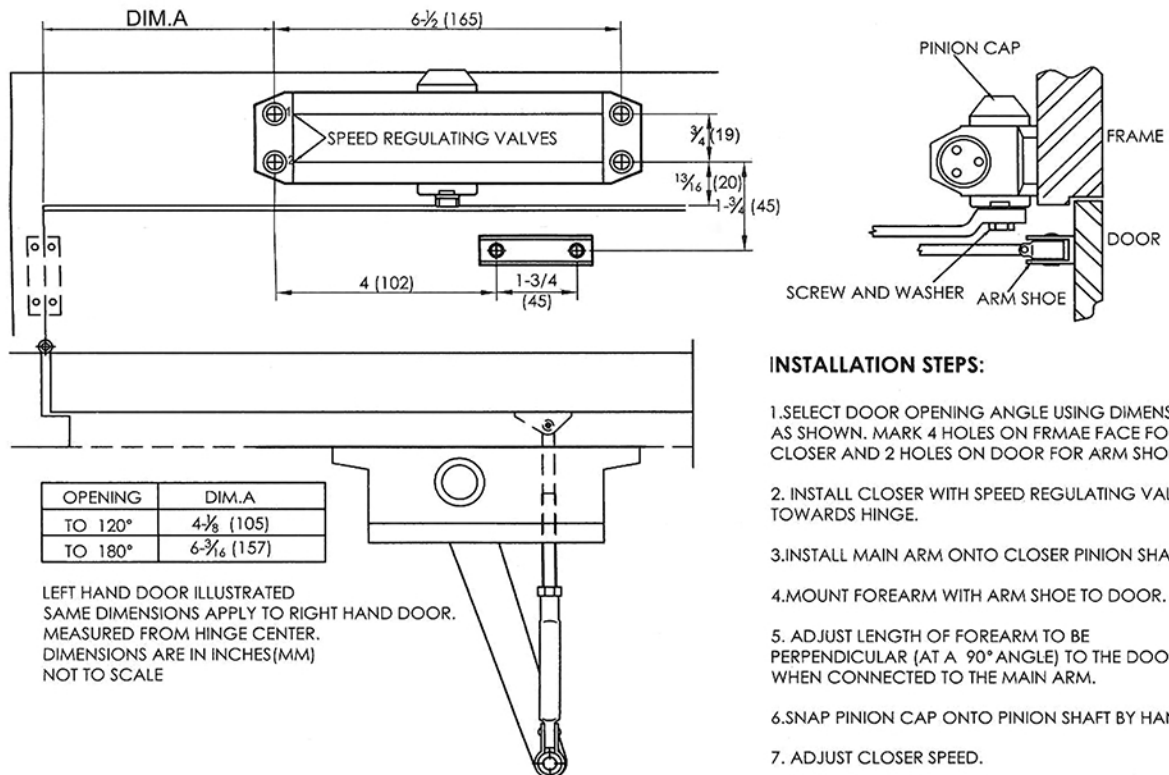


TOP JAMB APPLICATION (PUSH SIDE)



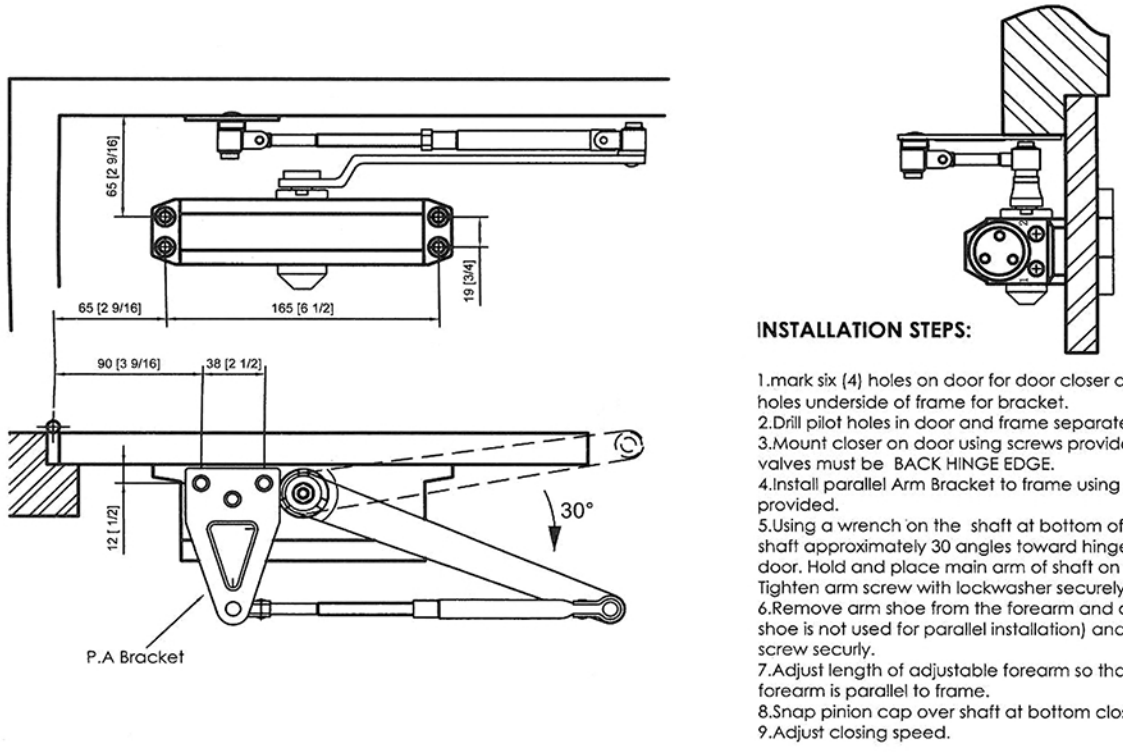
INSTALLATION STEPS:

1. SELECT DOOR OPENING ANGLE USING DIMENSIONS AS SHOWN. MARK 4 HOLES ON FRAME FACE FOR CLOSER AND 2 HOLES ON DOOR FOR ARM SHOE.
2. INSTALL CLOSER WITH SPEED REGULATING VALVES TOWARDS HINGE.
3. INSTALL MAIN ARM ONTO CLOSER PINION SHAFT.
4. MOUNT FOREARM WITH ARM SHOE TO DOOR.
5. ADJUST LENGTH OF FOREARM TO BE PERPENDICULAR (AT A 90° ANGLE) TO THE DOOR, WHEN CONNECTED TO THE MAIN ARM.
6. SNAP PINION CAP ONTO PINION SHAFT BY HAND.
7. ADJUST CLOSER SPEED.

OPENING	DIM.A
TO 120°	4- ⁵ / ₁₆ (105)
TO 180°	6- ³ / ₁₆ (157)

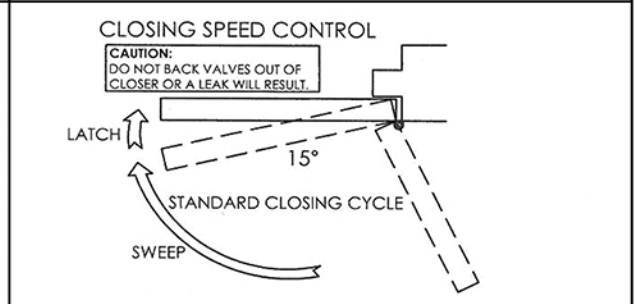
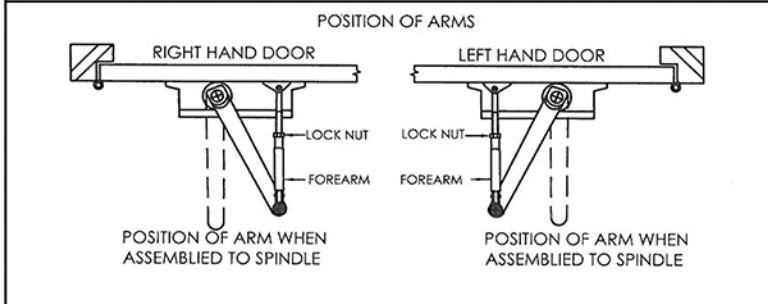
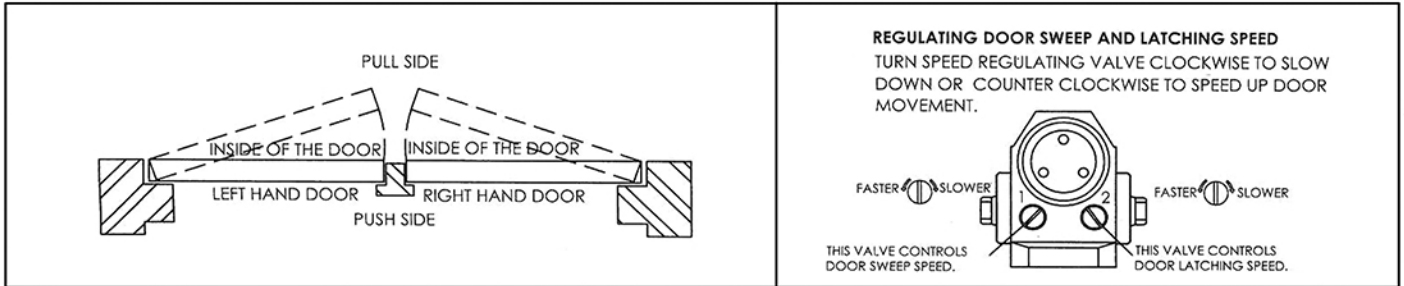
LEFT HAND DOOR ILLUSTRATED
 SAME DIMENSIONS APPLY TO RIGHT HAND DOOR.
 MEASURED FROM HINGE CENTER.
 DIMENSIONS ARE IN INCHES(MM)
 NOT TO SCALE

PARALLEL ARM APPLICATION (PUSH SIDE)



INSTALLATION STEPS:

1. mark six (4) holes on door for door closer and three (3) holes underside of frame for bracket.
2. Drill pilot holes in door and frame separately.
3. Mount closer on door using screws provided. Adjustable valves must be BACK HINGE EDGE.
4. Install parallel Arm Bracket to frame using screws provided.
5. Using a wrench on the shaft at bottom of closer, rotate shaft approximately 30 angles toward hinge edge of door. Hold and place main arm of shaft on top of closer. Tighten arm screw with lockwasher securely.
6. Remove arm shoe from the forearm and discard (arm shoe is not used for parallel installation) and tighten screw securely.
7. Adjust length of adjustable forearm so that adjustable forearm is parallel to frame.
8. Snap pinion cap over shaft at bottom closer
9. Adjust closing speed.



Caution

PLEASE READ THIS INSTRUCTION CAREFULLY BEFORE INSTALLATION; WE WON'T BE RESPONSIBLE FOR ANY RESULTS WHICH ARE CAUSED BY IMPROPER INSTALLATION.

IMPROPER INSTALLATION OR REGULATION MAY RESULT IN PERSONAL INJURY OR PROPERTY DAMAGE. FOLLOW ALL INSTRUCTIONS CAREFULLY PLEASE.

REGULAR ARM APPLICATION (PULL SIDE)

