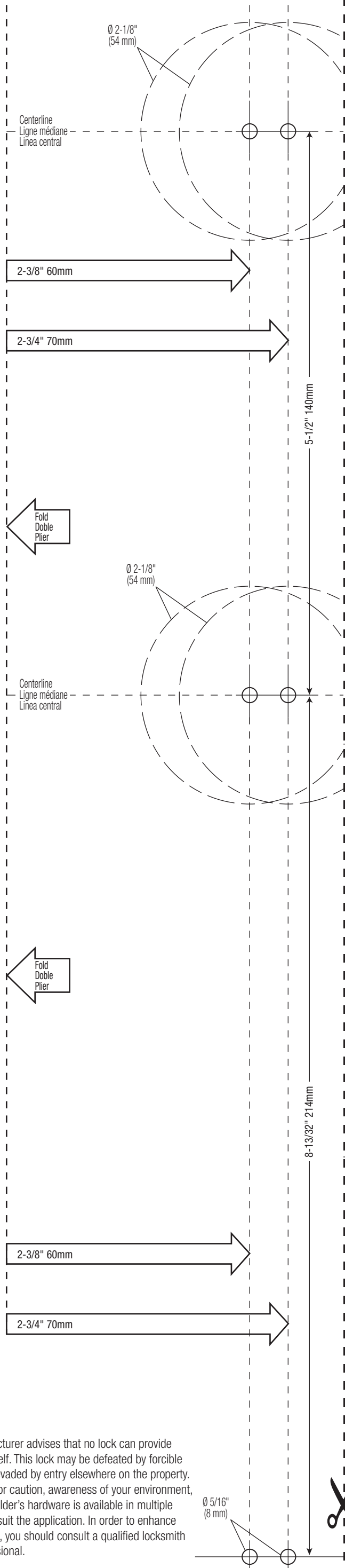


## Door Preparation

If your door requires drilling, use the supplied template below with the door preparation instructions available at [www.baldwinhardware.com](http://www.baldwinhardware.com)

### TEMPLATE



BALDWIN | RESERVE

## Full Dummy Handleset Installation Instructions

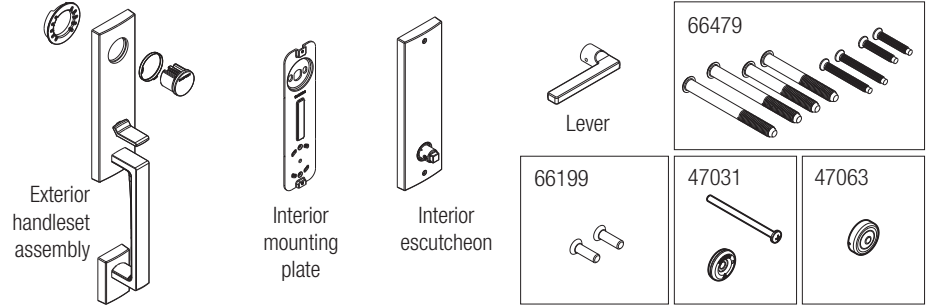
Fits 1-3/4" (44 mm) up to 2" (51 mm) doors

(Thick door service kits for 2-1/4" (57 mm) up to 2-1/2" (64 mm) doors available and can be purchased separately.)

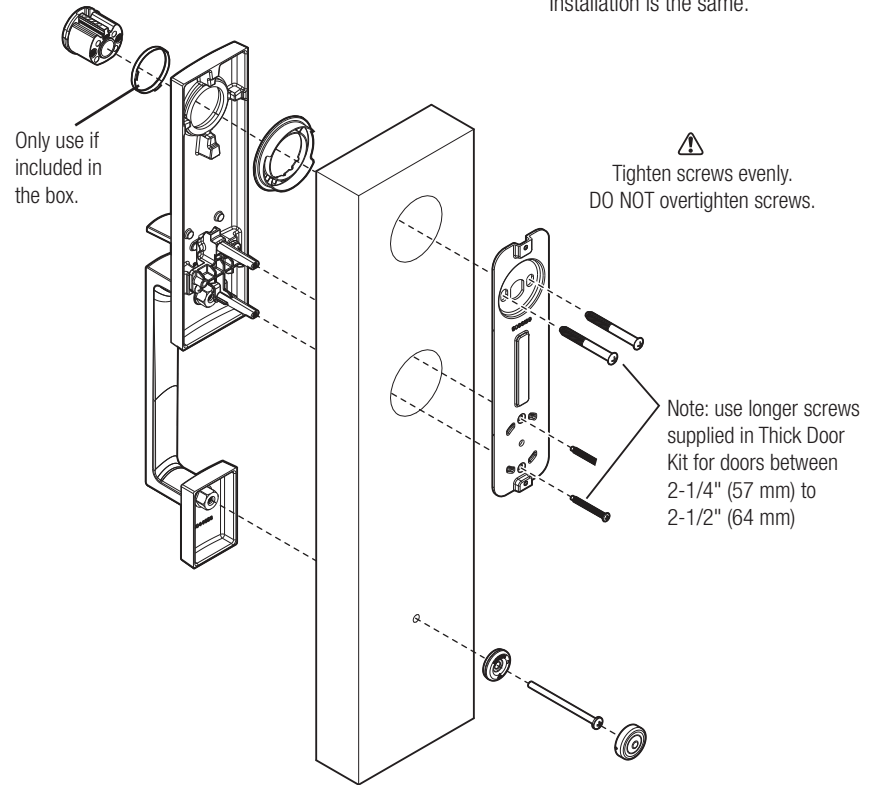
68596-001 Rev 02

[www.baldwinhardware.com](http://www.baldwinhardware.com) • Customer Service 1.800.437.7448

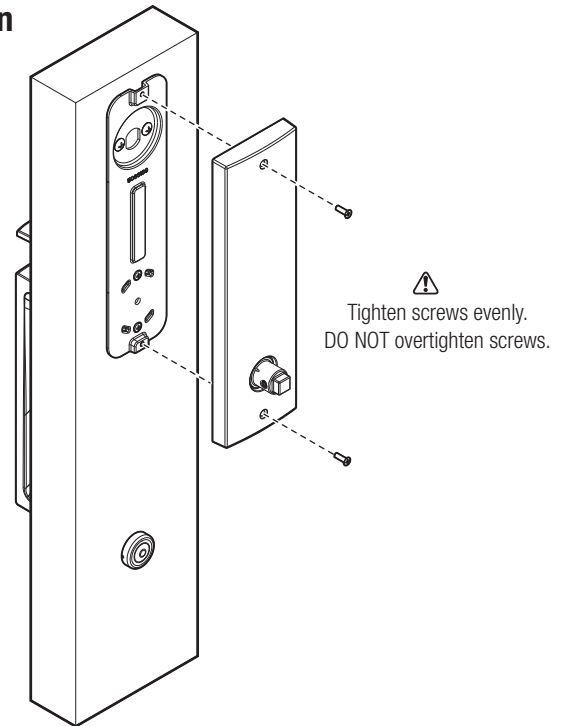
### Parts in the Box



### 1. Install trim



### 2. Install interior escutcheon



### 3. Install knob/lever

Place lever or knob onto chassis and turn set screw clockwise to secure.

