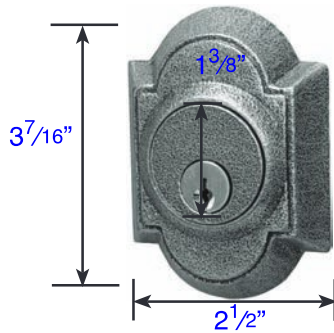
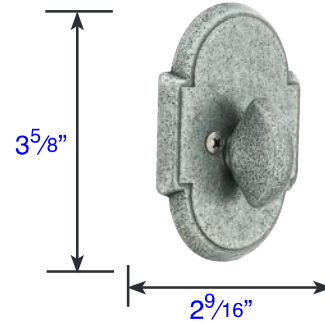


## #1 Style Deadbolt

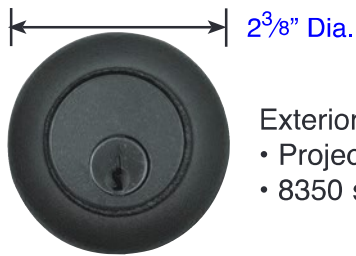


Exterior Trim (8461)  
• Projection is  $\frac{5}{8}$ "  
• 8361 same on both sides

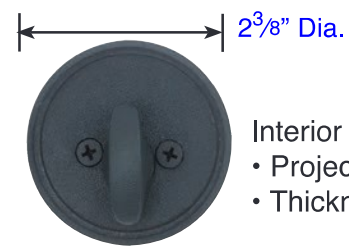


Interior Trim (8461)  
• Projection is  $1\frac{1}{4}$ "  
• Thickness is  $\frac{1}{4}$ "

## #2 Style Deadbolt

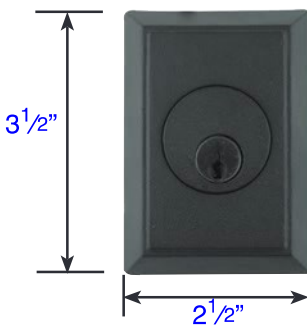


Exterior Trim (8452)  
• Projection is  $2\frac{3}{8}$ "  
• 8350 same on both sides

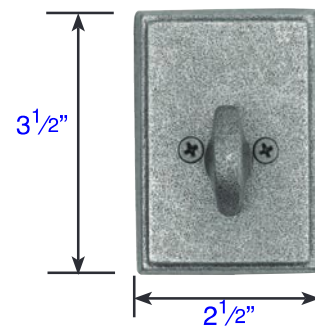


Interior Trim (8452)  
• Projection is  $1\frac{1}{4}$ "  
• Thickness is  $\frac{1}{4}$ "

## #3 Style Deadbolt



Exterior Trim (8463)  
• Projection is  $2\frac{1}{2}$ "  
• 8363 same on both sides



Interior Trim (8463)  
• Projection is  $1\frac{1}{4}$ "  
• Thickness is  $\frac{1}{4}$ "